



Chipsmall Limited consists of a professional team with an average of over 10 year of expertise in the distribution of electronic components. Based in Hongkong, we have already established firm and mutual-benefit business relationships with customers from,Europe,America and south Asia,supplying obsolete and hard-to-find components to meet their specific needs.

With the principle of “Quality Parts,Customers Priority,Honest Operation,and Considerate Service”,our business mainly focus on the distribution of electronic components. Line cards we deal with include Microchip,ALPS,ROHM,Xilinx,Pulse,ON,Everlight and Freescale. Main products comprise IC,Modules,Potentiometer,IC Socket,Relay,Connector.Our parts cover such applications as commercial,industrial, and automotives areas.

We are looking forward to setting up business relationship with you and hope to provide you with the best service and solution. Let us make a better world for our industry!



## Contact us

Tel: +86-755-8981 8866 Fax: +86-755-8427 6832

Email & Skype: info@chipsmall.com Web: www.chipsmall.com

Address: A1208, Overseas Decoration Building, #122 Zhenhua RD., Futian, Shenzhen, China



# MC74LCX138

## Low-Voltage CMOS 3-to-8 Decoder/Demultiplexer

### With 5 V-Tolerant Inputs

The MC74LCX138 is a high performance, 3-to-8 decoder/demultiplexer operating from a 2.3 to 3.6 V supply. High impedance TTL compatible inputs significantly reduce current loading to input drivers while TTL compatible outputs offer improved switching noise performance. A  $V_I$  specification of 5.5 V allows MC74LCX138 inputs to be safely driven from 5 V devices. The MC74LCX138 is suitable for memory address decoding and other TTL level bus-oriented applications.

The MC74LCX138 high-speed 3-to-8 decoder/demultiplexer accepts three binary weighted inputs (A0, A1, A2) and, when enabled, provides eight mutually exclusive active-LOW outputs ( $\overline{O0}$ – $\overline{O7}$ ). The LCX138 features three Enable inputs, two active-LOW ( $\overline{E1}$ ,  $\overline{E2}$ ) and one active-HIGH (E3). All outputs will be HIGH unless  $\overline{E1}$  and  $\overline{E2}$  are LOW, and E3 is HIGH. This multiple enabled function allows easy parallel expansion of the device to a 1-of-32 (5 lines to 32 lines) decoder with just four LCX138 devices and one inverter (see Figure 1). The LCX138 can be used as an 8-output demultiplexer by using one of the active-LOW Enable inputs as the data input and the other Enable inputs as strobes. The Enable inputs which are not used must be permanently tied to their appropriate active-HIGH or active-LOW state.

Current drive capability is 24 mA at the outputs.

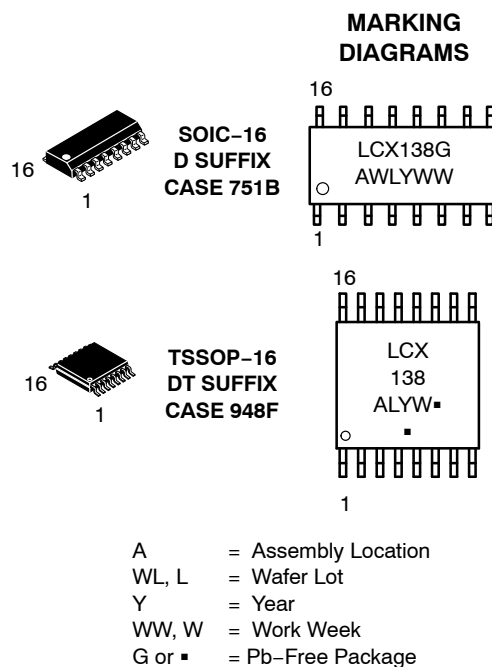
#### Features

- Designed for 2.3 V to 3.6 V  $V_{CC}$  Operation
- 5 V Tolerant Inputs – Interface Capability With 5 V TTL Logic
- LVTTTL Compatible
- LVCMOS Compatible
- 24 mA Balanced Output Sink and Source Capability
- Near Zero Static Supply Current (10  $\mu$ A) Substantially Reduces System Power Requirements
- Latchup Performance Exceeds 500 mA
- ESD Performance: Human Body Model >2000 V  
Machine Model >200 V
- NLV Prefix for Automotive and Other Applications Requiring Unique Site and Control Change Requirements; AEC-Q100 Qualified and PPAP Capable
- These Devices are Pb-Free, Halogen Free/BFR Free and are RoHS Compliant



ON Semiconductor®

<http://onsemi.com>



(Note: Microdot may be in either location)

#### ORDERING INFORMATION

See detailed ordering and shipping information in the package dimensions section on page 3 of this data sheet.

# MC74LCX138

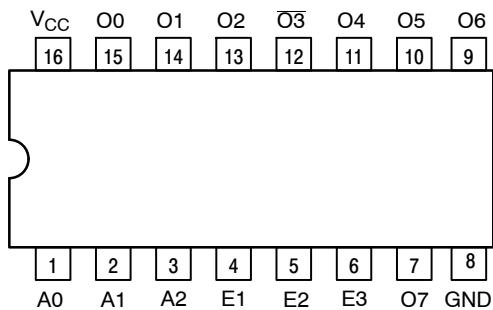


Figure 1. Pinout: 16-Lead (Top View)

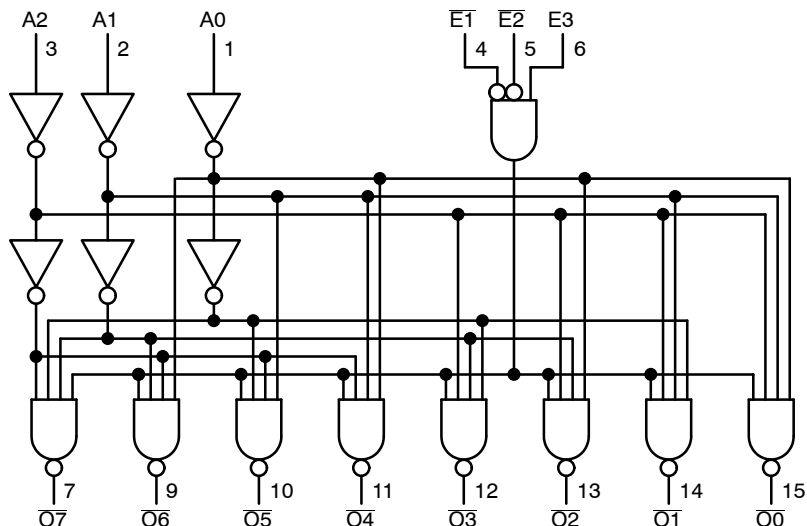


Figure 2. Logic Diagram

### PIN NAMES

| Pins  | Function       |
|-------|----------------|
| A0-A2 | Address Inputs |
| E1-E2 | Enable Inputs  |
| E3    | Enable Input   |
| O0-O7 | Outputs        |

### TRUTH TABLE

| Inputs |    |    |    |    |    | Outputs |    |    |    |    |    |    |    |
|--------|----|----|----|----|----|---------|----|----|----|----|----|----|----|
| E1     | E2 | E3 | A0 | A1 | A2 | O0      | O1 | O2 | O3 | O4 | O5 | O6 | O7 |
| H      | X  | X  | X  | X  | X  | H       | H  | H  | H  | H  | H  | H  | H  |
| X      | H  | X  | X  | X  | X  | H       | H  | H  | H  | H  | H  | H  | H  |
| X      | X  | L  | X  | X  | X  | H       | H  | H  | H  | H  | H  | H  | H  |
| L      | L  | H  | L  | L  | L  | L       | H  | H  | H  | H  | H  | H  | H  |
| L      | L  | H  | H  | L  | L  | H       | L  | H  | H  | H  | H  | H  | H  |
| L      | L  | H  | L  | H  | L  | H       | H  | L  | H  | H  | H  | H  | H  |
| L      | L  | H  | H  | H  | L  | H       | H  | H  | H  | L  | H  | H  | H  |
| L      | L  | H  | H  | L  | H  | H       | H  | H  | H  | H  | L  | H  | H  |
| L      | L  | H  | L  | H  | H  | H       | H  | H  | H  | H  | H  | L  | H  |
| L      | L  | H  | H  | H  | H  | H       | H  | H  | H  | H  | H  | H  | L  |

H = High Voltage Level

L = Low Voltage Level

X = High or Low Voltage Level and Transitions are Acceptable

For I<sub>CC</sub> reasons, DO NOT FLOAT Inputs

# MC74LCX138

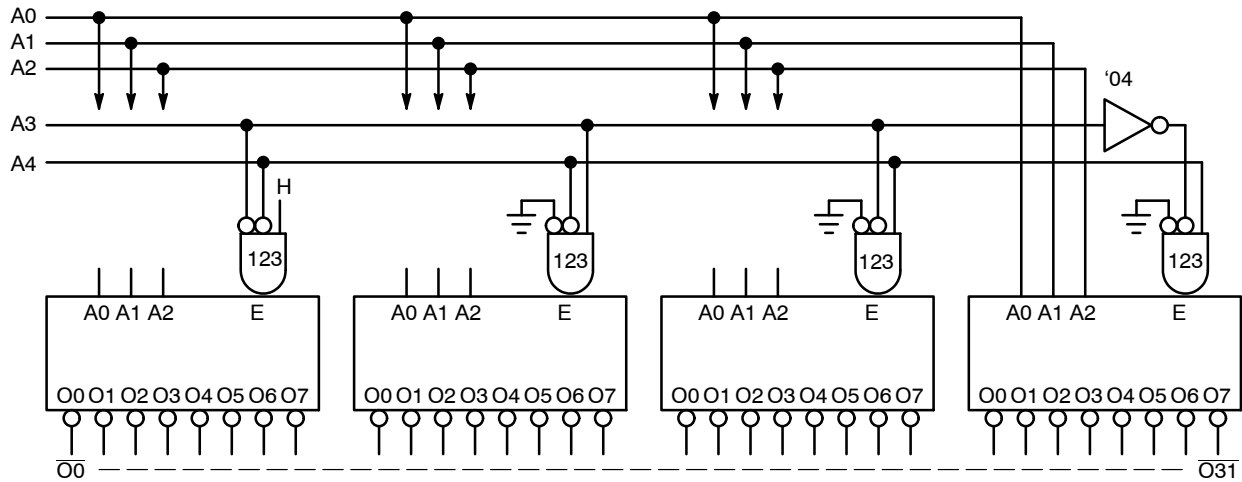


Figure 3. Expansion to 1-of-32 Decoding

## ORDERING INFORMATION

| Device           | Package               | Shipping†        |
|------------------|-----------------------|------------------|
| MC74LCX138DR2G   | SOIC-16<br>(Pb-Free)  | 2500 Tape & Reel |
| MC74LCX138DTG    | TSSOP-16<br>(Pb-Free) | 96 Units / Rail  |
| MC74LCX138DTR2G  | TSSOP-16<br>(Pb-Free) | 2500 Tape & Reel |
| NLV74LCX138DR2G* | SOIC-16<br>(Pb-Free)  | 2500 Tape & Reel |

†For information on tape and reel specifications, including part orientation and tape sizes, please refer to our Tape and Reel Packaging Specifications Brochure, BRD8011/D.

\*NLV Prefix for Automotive and Other Applications Requiring Unique Site and Control Change Requirements; AEC-Q100 Qualified and PPAP Capable.

## MAXIMUM RATINGS

| Symbol    | Parameter                        | Value                             | Condition                            | Units |
|-----------|----------------------------------|-----------------------------------|--------------------------------------|-------|
| $V_{CC}$  | DC Supply Voltage                | -0.5 to +7.0                      |                                      | V     |
| $V_I$     | DC Input Voltage                 | $-0.5 \leq V_I \leq +7.0$         |                                      | V     |
| $V_O$     | DC Output Voltage                | $-0.5 \leq V_O \leq V_{CC} + 0.5$ | Output in HIGH or LOW State (Note 1) | V     |
| $I_{IK}$  | DC Input Diode Current           | -50                               | $V_I < GND$                          | mA    |
| $I_{OK}$  | DC Output Diode Current          | -50                               | $V_O < GND$                          | mA    |
|           |                                  | +50                               | $V_O > V_{CC}$                       | mA    |
| $I_O$     | DC Output Source/Sink Current    | $\pm 50$                          |                                      | mA    |
| $I_{CC}$  | DC Supply Current Per Supply Pin | $\pm 100$                         |                                      | mA    |
| $I_{GND}$ | DC Ground Current Per Ground Pin | $\pm 100$                         |                                      | mA    |
| $T_{STG}$ | Storage Temperature Range        | -65 to +150                       |                                      | °C    |
| MSL       | Moisture Sensitivity             |                                   | Level 1                              |       |

Stresses exceeding Maximum Ratings may damage the device. Maximum Ratings are stress ratings only. Functional operation above the Recommended Operating Conditions is not implied. Extended exposure to stresses above the Recommended Operating Conditions may affect device reliability.

1.  $I_O$  absolute maximum rating must be observed.

# MC74LCX138

## RECOMMENDED OPERATING CONDITIONS

| Symbol          | Parameter  | Min        | Typ                  | Max              | Units |
|-----------------|--|------------|----------------------|------------------|-------|
| V <sub>CC</sub> | Supply Voltage   | 2.0<br>1.5 | 2.5, 3.3<br>2.5, 3.3 | 3.6<br>3.6       | V     |
| V <sub>I</sub>  | Input Voltage  | 0          |                      | 5.5              | V     |
| V <sub>O</sub>  | Output Voltage   | 0          |                      | V <sub>CC</sub>  | V     |
| I <sub>OH</sub> | HIGH Level Output Current  |            |                      | -24<br>-12<br>-8 | mA    |
| I <sub>OL</sub> | LOW Level Output Voltage   |            |                      | +24<br>+12<br>+8 | mA    |
| T <sub>A</sub>  | Operating Free-Air Temperature   | -40        |                      | +85              | °C    |
| Δt/ΔV           | Input Transition Rise or Fall Rate, V <sub>IN</sub> from 0.8 V to 2.0 V, V <sub>CC</sub> = 3.0 V | 0          |                      | 10               | ns/V  |

## DC ELECTRICAL CHARACTERISTICS

| Symbol           | Characteristic                        | Condition  | T <sub>A</sub> = -40°C to +85°C |      | Units |
|------------------|---------------------------------------|--|---------------------------------|------|-------|
|                  |                                       |  | Min                             | Max  |       |
| V <sub>IH</sub>  | HIGH Level Input Voltage (Note 2)     | 2.3 V ≤ V <sub>CC</sub> ≤ 2.7 V  | 1.7                             |      | V     |
|                  |                                       | 2.7 V ≤ V <sub>CC</sub> ≤ 3.6 V  | 2.0                             |      |       |
| V <sub>IL</sub>  | LOW Level Input Voltage (Note 2)      | 2.3 V ≤ V <sub>CC</sub> ≤ 2.7 V  |                                 | 0.7  | V     |
|                  |                                       | 2.7 V ≤ V <sub>CC</sub> ≤ 3.6 V  |                                 | 0.8  |       |
| V <sub>OH</sub>  | HIGH Level Output Voltage             | 2.3 V ≤ V <sub>CC</sub> ≤ 3.6 V; I <sub>OH</sub> = -100 μA               | V <sub>CC</sub> - 0.2           |      | V     |
|                  |                                       | V <sub>CC</sub> = 2.3 V; I <sub>OH</sub> = -8 mA                         | 1.8                             |      |       |
|                  |                                       | V <sub>CC</sub> = 2.7 V; I <sub>OH</sub> = -12 mA                        | 2.2                             |      |       |
|                  |                                       | V <sub>CC</sub> = 3.0 V; I <sub>OH</sub> = -18 mA                        | 2.4                             |      |       |
| V <sub>OL</sub>  | LOW Level Output Voltage              | 2.3 V ≤ V <sub>CC</sub> ≤ 3.6 V; I <sub>OL</sub> = 100 μA                |                                 | 0.2  | V     |
|                  |                                       | V <sub>CC</sub> = 2.3 V; I <sub>OL</sub> = 8 mA                          |                                 | 0.6  |       |
|                  |                                       | V <sub>CC</sub> = 2.7 V; I <sub>OL</sub> = 12 mA                         |                                 | 0.4  |       |
|                  |                                       | V <sub>CC</sub> = 3.0 V; I <sub>OL</sub> = 16 mA                         |                                 | 0.4  |       |
|                  |                                       | V <sub>CC</sub> = 3.0 V; I <sub>OL</sub> = 24 mA                         |                                 | 0.55 |       |
| I <sub>OFF</sub> | Power Off Leakage Current             | V <sub>CC</sub> = 0, V <sub>IN</sub> = 5.5 V or V <sub>OUT</sub> = 5.5 V |                                 | 10   | μA    |
| I <sub>IN</sub>  | Input Leakage Current                 | V <sub>CC</sub> = 3.6 V, V <sub>IN</sub> = 5.5 V or GND                  |                                 | ±5   | μA    |
| I <sub>CC</sub>  | Quiescent Supply Current              | V <sub>CC</sub> = 3.6 V, V <sub>IN</sub> = 5.5 V or GND                  |                                 | 10   | μA    |
| ΔI <sub>CC</sub> | Increase in I <sub>CC</sub> per Input | 2.3 ≤ V <sub>CC</sub> ≤ 3.6 V; V <sub>IH</sub> = V <sub>CC</sub> - 0.6 V |                                 | 500  | μA    |

2. These values of V<sub>I</sub> are used to test DC electrical characteristics only.

## AC CHARACTERISTICS (t<sub>R</sub> = t<sub>F</sub> = 2.5 ns; R<sub>L</sub> = 500 Ω)

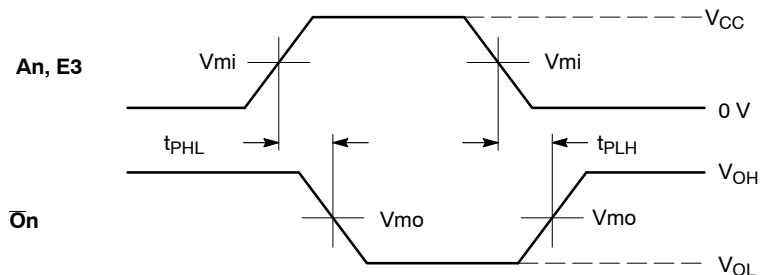
| Symbol                                 | Parameter                                 | Waveform | Limits                          |            |                         |     |                                 |     | Units |
|--|---|----------|---------------------------------|------------|-------------------------|-----|---------------------------------|-----|-------|
|  |   |          | T <sub>A</sub> = -40°C to +85°C |            |                         |     |                                 |     |       |
|  |   |          | V <sub>CC</sub> = 3.3 V ± 0.3 V |            | V <sub>CC</sub> = 2.7 V |     | V <sub>CC</sub> = 2.5 V ± 0.2 V |     |       |
|  |   |          | C <sub>L</sub> = 50 pF          |            | C <sub>L</sub> = 50 pF  |     | C <sub>L</sub> = 30 pF          |     |       |
|  |   |          | Min                             | Max        | Min                     | Max | Min                             | Max |       |
| t <sub>PLH</sub><br>t <sub>PHL</sub>   | Propagation Delay<br>An to $\bar{O}n$     | 1, 2     | 1.5                             | 6.0        | 1.5                     | 7.0 | 1.5                             | 7.2 | ns    |
|  |   |          | 1.5                             | 6.0        | 1.5                     | 7.0 | 1.5                             | 7.2 |       |
| t <sub>PLH</sub><br>t <sub>PHL</sub>   | Propagation Delay<br>E1, E2 to $\bar{O}n$ | 2        | 1.5                             | 6.5        | 1.5                     | 7.5 | 1.5                             | 8.4 | ns    |
|  |   |          | 1.5                             | 6.5        | 1.5                     | 7.5 | 1.5                             | 8.4 |       |
| t <sub>PLH</sub><br>t <sub>PHL</sub>   | Propagation Delay<br>E3 to $\bar{O}n$     | 1        | 1.5                             | 6.0        | 1.5                     | 7.0 | 1.5                             | 7.2 | ns    |
|  |   |          | 1.5                             | 6.0        | 1.5                     | 7.0 | 1.5                             | 7.2 |       |
| t <sub>OSHL</sub><br>t <sub>OSLH</sub> | Output-to-Output Skew<br>(Note 3)         |          |                                 | 1.0<br>1.0 |                         |     |                                 |     | ns    |

3. Skew is defined as the absolute value of the difference between the actual propagation delay for any two separate outputs of the same device. The specification applies to any outputs switching in the same direction, either HIGH-to-LOW (t<sub>OSHL</sub>) or LOW-to-HIGH (t<sub>OSLH</sub>); parameter guaranteed by design.

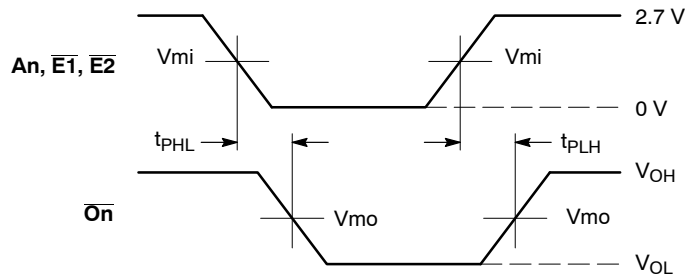
# MC74LCX138

## CAPACITIVE CHARACTERISTICS

| Symbol    | Parameter                     | Condition  | Typical | Units |
|-----------|-------------------------------|--|---------|-------|
| $C_{IN}$  | Input Capacitance             | $V_{CC} = 3.3\text{ V}$ , $V_I = 0\text{ V}$ or $V_{CC}$         | 7       | pF    |
| $C_{OUT}$ | Output Capacitance            | $V_{CC} = 3.3\text{ V}$ , $V_I = 0\text{ V}$ or $V_{CC}$         | 8       | pF    |
| $C_{PD}$  | Power Dissipation Capacitance | 10 MHz, $V_{CC} = 3.3\text{ V}$ , $V_I = 0\text{ V}$ or $V_{CC}$ | 25      | pF    |



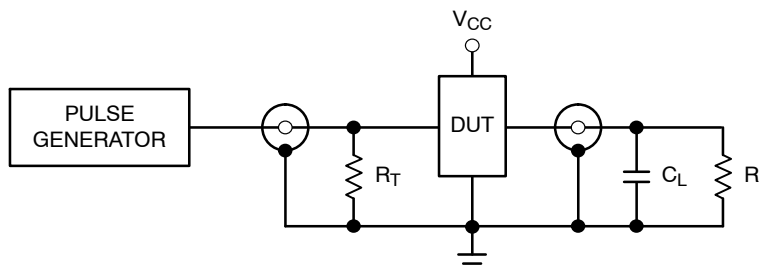
WAVEFORM 1: PROPAGATION DELAYS FOR INVERTING OUTPUTS



WAVEFORM 2: PROPAGATION DELAYS FOR NON-INVERTING OUTPUTS

| Symbol   | $V_{CC}$                        |                |                                 |
|----------|---------------------------------|----------------|---------------------------------|
|          | $3.3\text{ V} \pm 0.3\text{ V}$ | $2.7\text{ V}$ | $2.5\text{ V} \pm 0.2\text{ V}$ |
| $V_{mi}$ | 1.5 V                           | 1.5 V          | $V_{CC}/2$                      |
| $V_{mo}$ | 1.5 V                           | 1.5 V          | $V_{CC}/2$                      |

Figure 4. AC Waveforms



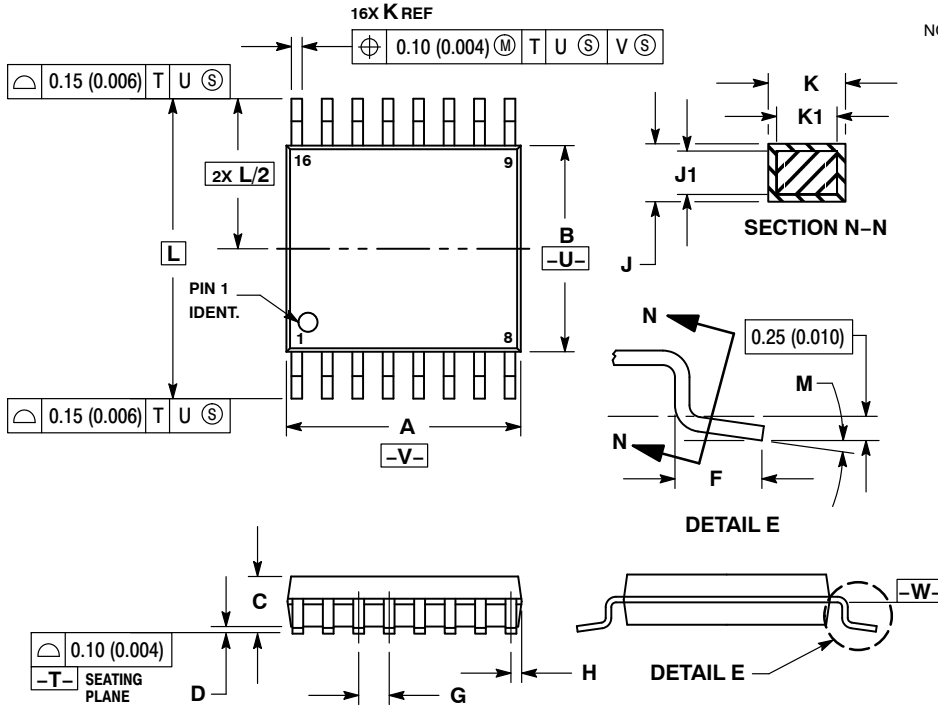
$C_L = 50\text{ pF}$  at  $V_{CC} = 3.3 \pm 0.3\text{ V}$  or equivalent (includes jig and probe capacitance)  
 $C_L = 30\text{ pF}$  at  $V_{CC} = 2.5 \pm 0.2\text{ V}$  or equivalent (includes jig and probe capacitance)  
 $R_L = R_1 = 500\ \Omega$  or equivalent  
 $R_T = Z_{OUT}$  of pulse generator (typically  $50\ \Omega$ )

Figure 5. Test Circuit

# MC74LCX138

## PACKAGE DIMENSIONS

TSSOP-16  
DT SUFFIX  
CASE 948F  
ISSUE B

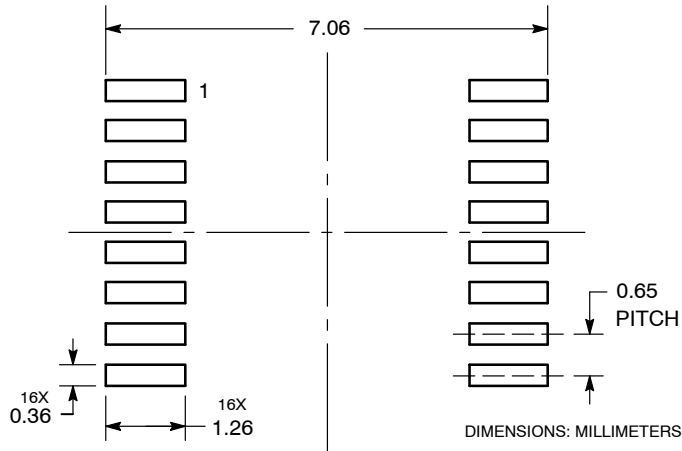


**NOTES:**

1. DIMENSIONING AND TOLERANCING PER ANSI Y14.5M, 1982.
2. CONTROLLING DIMENSION: MILLIMETER.
3. DIMENSION A DOES NOT INCLUDE MOLD FLASH, PROTRUSIONS OR GATE BURRS. MOLD FLASH OR GATE BURRS SHALL NOT EXCEED 0.15 (0.006) PER SIDE.
4. DIMENSION B DOES NOT INCLUDE INTERLEAD FLASH OR PROTRUSION. INTERLEAD FLASH OR PROTRUSION SHALL NOT EXCEED 0.25 (0.010) PER SIDE.
5. DIMENSION K DOES NOT INCLUDE DAMBAR PROTRUSION. ALLOWABLE DAMBAR PROTRUSION SHALL BE 0.08 (0.003) TOTAL IN EXCESS OF THE K DIMENSION AT MAXIMUM MATERIAL CONDITION.
6. TERMINAL NUMBERS ARE SHOWN FOR REFERENCE ONLY.
7. DIMENSION A AND B ARE TO BE DETERMINED AT DATUM PLANE -W-.

| DIM | MILLIMETERS |      | INCHES    |       |
|-----|-------------|------|-----------|-------|
|     | MIN         | MAX  | MIN       | MAX   |
| A   | 4.90        | 5.10 | 0.193     | 0.200 |
| B   | 4.30        | 4.50 | 0.169     | 0.177 |
| C   | ---         | 1.20 | ---       | 0.047 |
| D   | 0.05        | 0.15 | 0.002     | 0.006 |
| F   | 0.50        | 0.75 | 0.020     | 0.030 |
| G   | 0.65 BSC    |      | 0.026 BSC |       |
| H   | 0.18        | 0.28 | 0.007     | 0.011 |
| J   | 0.09        | 0.20 | 0.004     | 0.008 |
| J1  | 0.09        | 0.16 | 0.004     | 0.006 |
| K   | 0.19        | 0.30 | 0.007     | 0.012 |
| K1  | 0.19        | 0.25 | 0.007     | 0.010 |
| L   | 6.40 BSC    |      | 0.252 BSC |       |
| M   | 0°          | 8°   | 0°        | 8°    |

### SOLDERING FOOTPRINT\*

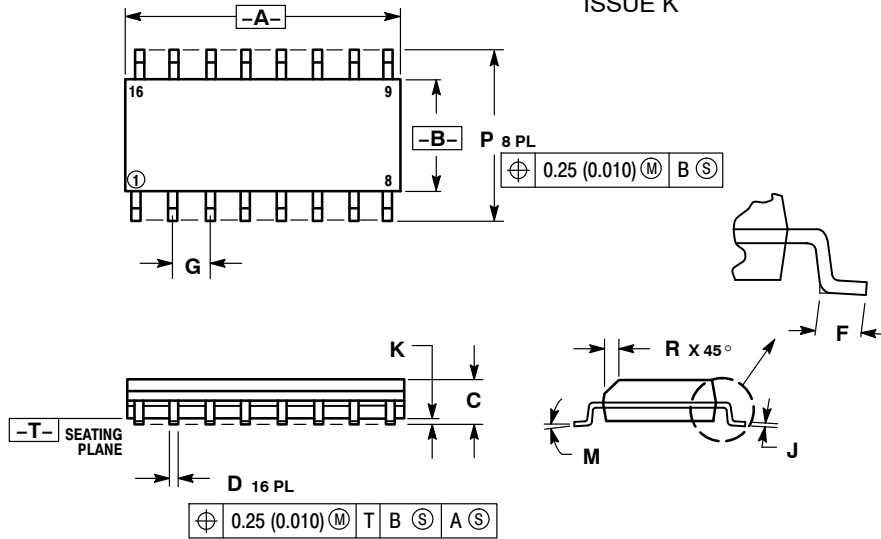


\*For additional information on our Pb-Free strategy and soldering details, please download the ON Semiconductor Soldering and Mounting Techniques Reference Manual, SOLDERRM/D.

# MC74LCX138

## PACKAGE DIMENSIONS

SOIC-16  
D SUFFIX  
CASE 751B-05  
ISSUE K

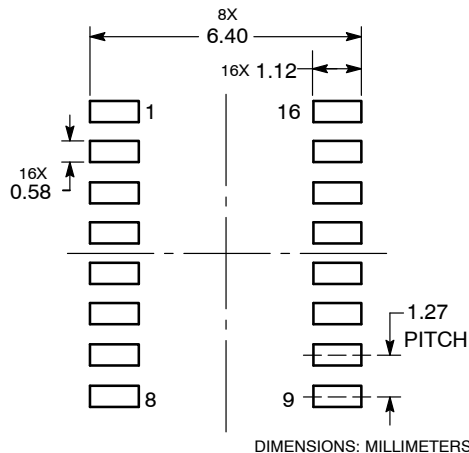


NOTES:

1. DIMENSIONING AND TOLERANCING PER ANSI Y14.5M, 1982.
2. CONTROLLING DIMENSION: MILLIMETER.
3. DIMENSIONS A AND B DO NOT INCLUDE MOLD PROTRUSION.
4. MAXIMUM MOLD PROTRUSION 0.15 (0.006) PER SIDE.
5. DIMENSION D DOES NOT INCLUDE DAMBAR PROTRUSION. ALLOWABLE DAMBAR PROTRUSION SHALL BE 0.127 (0.005) TOTAL IN EXCESS OF THE D DIMENSION AT MAXIMUM MATERIAL CONDITION.

| DIM | MILLIMETERS |       | INCHES    |       |
|-----|-------------|-------|-----------|-------|
|     | MIN         | MAX   | MIN       | MAX   |
| A   | 9.80        | 10.00 | 0.386     | 0.393 |
| B   | 3.80        | 4.00  | 0.150     | 0.157 |
| C   | 1.35        | 1.75  | 0.054     | 0.068 |
| D   | 0.35        | 0.49  | 0.014     | 0.019 |
| F   | 0.40        | 1.25  | 0.016     | 0.049 |
| G   | 1.27 BSC    |       | 0.050 BSC |       |
| J   | 0.19        | 0.25  | 0.008     | 0.009 |
| K   | 0.10        | 0.25  | 0.004     | 0.009 |
| M   | 0°          | 7°    | 0°        | 7°    |
| P   | 5.80        | 6.20  | 0.229     | 0.244 |
| R   | 0.25        | 0.50  | 0.010     | 0.019 |

### SOLDERING FOOTPRINT\*



\*For additional information on our Pb-Free strategy and soldering details, please download the ON Semiconductor Soldering and Mounting Techniques Reference Manual, SOLDERRM/D.

ON Semiconductor and are registered trademarks of Semiconductor Components Industries, LLC (SCILLC). SCILLC owns the rights to a number of patents, trademarks, copyrights, trade secrets, and other intellectual property. A listing of SCILLC's product/patent coverage may be accessed at [www.onsemi.com/site/pdf/Patent-Marking.pdf](http://www.onsemi.com/site/pdf/Patent-Marking.pdf). SCILLC reserves the right to make changes without further notice to any products herein. SCILLC makes no warranty, representation or guarantee regarding the suitability of its products for any particular purpose, nor does SCILLC assume any liability arising out of the application or use of any product or circuit, and specifically disclaims any and all liability, including without limitation special, consequential or incidental damages. "Typical" parameters which may be provided in SCILLC data sheets and/or specifications can and do vary in different applications and actual performance may vary over time. All operating parameters, including "Typicals" must be validated for each customer application by customer's technical experts. SCILLC does not convey any license under its patent rights nor the rights of others. SCILLC products are not designed, intended, or authorized for use as components in systems intended for surgical implant into the body, or other applications intended to support or sustain life, or for any other application in which the failure of the SCILLC product could create a situation where personal injury or death may occur. Should Buyer purchase or use SCILLC products for any such unintended or unauthorized application, Buyer shall indemnify and hold SCILLC and its officers, employees, subsidiaries, affiliates, and distributors harmless against all claims, costs, damages, and expenses, and reasonable attorney fees arising out of, directly or indirectly, any claim of personal injury or death associated with such unintended or unauthorized use, even if such claim alleges that SCILLC was negligent regarding the design or manufacture of the part. SCILLC is an Equal Opportunity/Affirmative Action Employer. This literature is subject to all applicable copyright laws and is not for resale in any manner.

### PUBLICATION ORDERING INFORMATION

**LITERATURE FULFILLMENT:**  
Literature Distribution Center for ON Semiconductor  
P.O. Box 5163, Denver, Colorado 80217 USA  
Phone: 303-675-2175 or 800-344-3860 Toll Free USA/Canada  
Fax: 303-675-2176 or 800-344-3867 Toll Free USA/Canada  
Email: [orderlit@onsemi.com](mailto:orderlit@onsemi.com)

**N. American Technical Support:** 800-282-9855 Toll Free  
USA/Canada  
**Europe, Middle East and Africa Technical Support:**  
Phone: 421 33 790 2910  
**Japan Customer Focus Center**  
Phone: 81-3-5817-1050

**ON Semiconductor Website:** [www.onsemi.com](http://www.onsemi.com)  
**Order Literature:** <http://www.onsemi.com/orderlit>

For additional information, please contact your local Sales Representative