



Chipsmall Limited consists of a professional team with an average of over 10 year of expertise in the distribution of electronic components. Based in Hongkong, we have already established firm and mutual-benefit business relationships with customers from,Europe,America and south Asia,supplying obsolete and hard-to-find components to meet their specific needs.

With the principle of “Quality Parts,Customers Priority,Honest Operation,and Considerate Service”,our business mainly focus on the distribution of electronic components. Line cards we deal with include Microchip,ALPS,ROHM,Xilinx,Pulse,ON,Everlight and Freescale. Main products comprise IC,Modules,Potentiometer,IC Socket,Relay,Connector.Our parts cover such applications as commercial,industrial, and automotives areas.

We are looking forward to setting up business relationship with you and hope to provide you with the best service and solution. Let us make a better world for our industry!



Contact us

Tel: +86-755-8981 8866 Fax: +86-755-8427 6832

Email & Skype: info@chipsmall.com Web: www.chipsmall.com

Address: A1208, Overseas Decoration Building, #122 Zhenhua RD., Futian, Shenzhen, China



Obsolete

M.C.C.

Micro Commercial Components

Micro Commercial Components
20736 Marilla Street Chatsworth
CA 91311
Phone: (818) 701-4933
Fax: (818) 701-4939

MC7910CT

Features

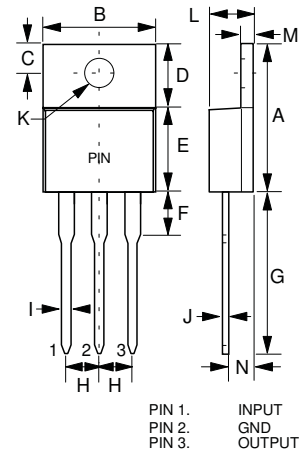
- Output current in excess of 1.0 Ampere
- No external components required
- Internal thermal overload protection
- Internal short-circuit current limiting
- Output voltage offered in 2% tolerance

Three-Terminal Negative Voltage Regulators

Maximum Ratings @ T_A=25°C, Unless Otherwise Noted

Parameter	Symbol	Value	Unit
Input Voltage	V ₁	30	V
Operating Ambient Temperature	P _D	15	W
Operating Junction Temperature	T _{OPR}	-20---+75	°C
Storage Temperature Range	T _{STG}	-55---+125	°C

TO-220



PIN 1. INPUT
PIN 2. GND
PIN 3. OUTPUT

DIMENSIONS

DIM	INCHES		MM		NOTE
	MIN	MAX	MIN	MAX	
A	.560	.625	14.22	15.88	
B	.380	.420	9.65	10.67	
C	.100	.135	2.54	3.43	
D	.230	.270	5.84	6.86	
E	.380	.420	9.65	10.67	
F	-----	.250	-----	6.35	
G	.500	.580	12.70	14.73	
H	.090	.110	2.29	2.79	
I	.020	.045	0.51	1.14	
J	.012	.025	0.30	0.64	
K	.139	.161	3.53	4.09	∅
L	.140	.190	3.56	4.83	
M	.045	.055	1.14	1.40	
N	.080	.115	2.03	2.92	

www.mccsemi.com

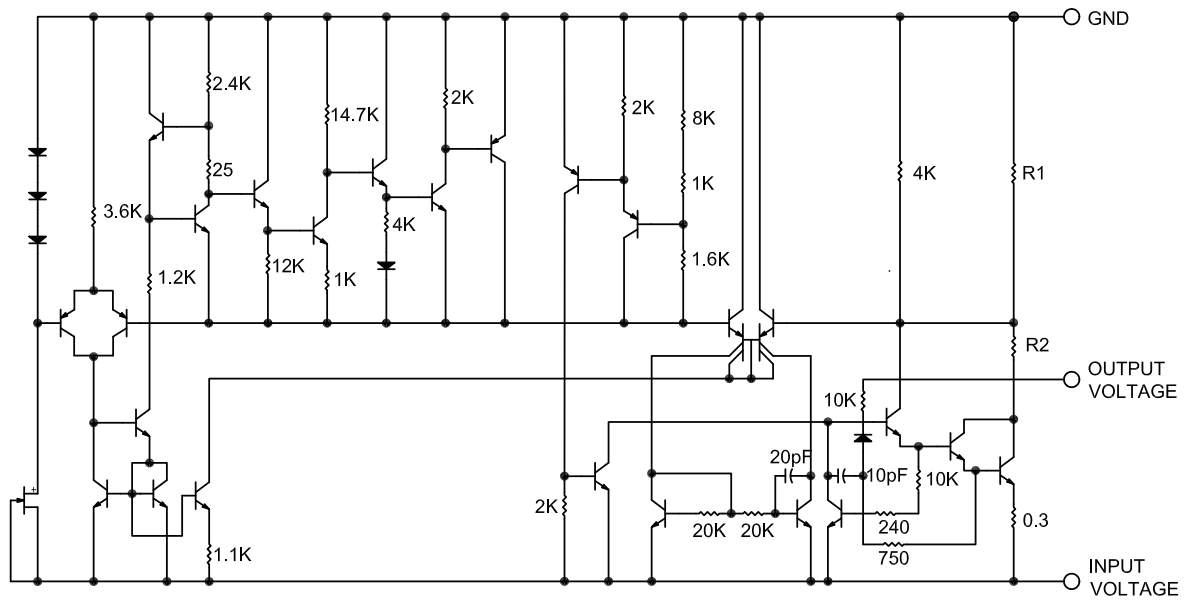
MC7910CT

Electrical Characteristics (Vi=15V, Io=500mA, 0°C<Tj<125°C, Ci=2.0uF, Co=1.0uF, Unless Otherwise Specified)

Parameter	Sym	Min	Typ	Max	Test conditions
Output Voltage	Vo	9.82V	10V	10.18V	Tj=25°C
		9.72V		10.28V	11.5V ≤ V1 ≤ 24V, 5mA ≤ Io ≤ 1.0A, Po=15W
Load Regulation	ΔVo		12mV	180mV	5mA ≤ Io ≤ 1.5A, Tj=25°C,
			4.0mV	90mV	250mA ≤ Io ≤ 750mA, Tj=25°C
Line regulation	ΔVo		7.0mV	180mV	11.5V ≤ V1 ≤ 26V, Tj=25°C
			2.0mV	90mV	12V ≤ V1 ≤ 18V, Tj=25°C
Quiescent Current	Iq		2.2mA	4.5mA	Tj=25°C, Io=0
Quiescent Current Change	ΔIq			1.0mA 0.5mA	11.5V ≤ V1 ≤ 26V 5mA ≤ Io ≤ 1.0A
Output Noise Voltage	VN		58μV		10Hz ≤ f ≤ 100KHz Tj=25°C
Ripple Rejection	RR	56dB	71dB		f=120Hz
Dropout Voltage	Vd		1.1V		Io=1.0A, Tj=25°C
Peak Output Current	Iopeak		2.1A		Tj=25°C
Temperature Coefficient of Output voltage	ΔVo/ΔTj		0.6mV/°C		0°C ≤ Tj ≤ 125°C, Io=5mA

MC7910CT

Representation Schematic Diagram





Micro Commercial Components

Ordering Information

Device (Part Number)-BP	Packing Bulk;1Kpcs/Box
----------------------------	---------------------------

*****IMPORTANT NOTICE*****

Micro Commercial Components Corp. reserves the right to make changes without further notice to any product herein to make corrections, modifications , enhancements , improvements , or other changes . *Micro Commercial Components Corp.* does not assume any liability arising out of the application or use of any product described herein; neither does it convey any license under its patent rights ,nor the rights of others . The user of products in such applications shall assume all risks of such use and will agree to hold *Micro Commercial Components Corp.* and all the companies whose products are represented on our website, harmless against all damages.

*****APPLICATIONS DISCLAIMER*****

Products offer by *Micro Commercial Components Corp.* are not intended for use in Medical, Aerospace or Military Applications.

www.mccsemi.com