



Chipsmall Limited consists of a professional team with an average of over 10 year of expertise in the distribution of electronic components. Based in Hongkong, we have already established firm and mutual-benefit business relationships with customers from,Europe,America and south Asia,supplying obsolete and hard-to-find components to meet their specific needs.

With the principle of “Quality Parts,Customers Priority,Honest Operation,and Considerate Service”,our business mainly focus on the distribution of electronic components. Line cards we deal with include Microchip,ALPS,ROHM,Xilinx,Pulse,ON,Everlight and Freescale. Main products comprise IC,Modules,Potentiometer,IC Socket,Relay,Connector.Our parts cover such applications as commercial,industrial, and automotives areas.

We are looking forward to setting up business relationship with you and hope to provide you with the best service and solution. Let us make a better world for our industry!



Contact us

Tel: +86-755-8981 8866 Fax: +86-755-8427 6832

Email & Skype: info@chipsmall.com Web: www.chipsmall.com

Address: A1208, Overseas Decoration Building, #122 Zhenhua RD., Futian, Shenzhen, China





Micro Commercial Components

Micro Commercial Components
 20736 Marilla Street Chatsworth
 CA 91311
 Phone: (818) 701-4933
 Fax: (818) 701-4939

MC79L09F

Features

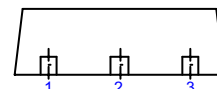
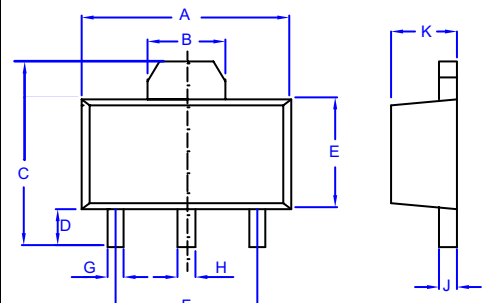
- Internal Short Circuit Current Limiting
- Internal Thermal Overload Protection
- No External Components Required
- Case Material: Molded Plastic. UL Flammability Classification Rating 94-0 and MSL Rating 1

Three-Terminal Low Current Negative Voltage Regulator

Absolute Maximum Ratings

Parameter	Symbol	Value	Unit
Input Voltage	V_1	30	V
Operating Junction Temperature	T_{OPR}	-30---+75	°C
Storage Temperature Range	T_{STG}	-40---+125	°C

SOT-89



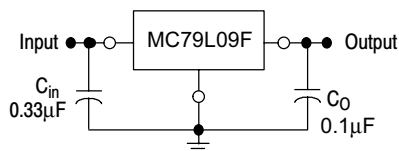
1. GND
2. IN(Case)
3. OUT

Electrical Characteristics ($V_i=15V$, $I_o=40mA$, $0^\circ C < T_j < 125^\circ C$, $C_1=0.33\mu F$, $C_o=0.1\mu F$, unless otherwise specified)

Parameter	Sym	Min	Typ	Max	Test conditions
Output Voltage	V_o	8.64V	9.0V	9.36V	$V_i=15V$, $I_o=40mA$
Load Regulation	$V_o - I_o$		12mV	90mV	$I_o=1mA-100mA$, $V_i=15V$
Line regulation	$V_o - V_i$		27mV	200mV	$12.5V \leq V_i \leq 24V$, $I_o=40mA$
Quiescent Current	I_q		3.5mA	6.0mA	$V_i=15V$, $I_o=40mA$
Output Noise Voltage	V_N		210 μV		$10Hz \leq f \leq 100KHz$, $V_i=15V$, $I_o=40mA$
Ripple Rejection	RR	37dB	64dB		$12V \leq V_1 \leq 22V$, $I_o=40mA$, $f=120Hz$, $T_j=25^\circ C$, $\epsilon_{N}=1V_{P-P}$

*Note: Bypass Capacitors are recommended for optimum stability and transient response and should be located as close as possible to the regulators

Typical Application:



DIM	DIMENSINS				NOTES
	INCHES		MM		
A	.173	.181	4.39	4.60	
B	.061	----	1.55	----	REF.
C	.154	.165	3.91	4.25	
D	.031	.039	0.80	1.00	
E	.092	.100	2.34	2.54	
F	.118	----	3.00	----	TYP
G	.013	.019	0.33	0.48	
H	.015	.021	0.38	0.53	
J	.015	.016	0.38	0.41	
K	.055	.063	1.40	1.60	



Micro Commercial Components

Ordering Information

Device	Packing
(Part Number)-TP	Tape&Reel;1Kpcs/Reel

IMPORTANT NOTICE

Micro Commercial Components Corp. reserves the right to make changes without further notice to any product herein to make corrections, modifications, enhancements, improvements, or other changes. *Micro Commercial Components Corp.* does not assume any liability arising out of the application or use of any product described herein; neither does it convey any license under its patent rights, nor the rights of others. The user of products in such applications shall assume all risks of such use and will agree to hold *Micro Commercial Components Corp.* and all the companies whose products are represented on our website, harmless against all damages.

APPLICATIONS DISCLAIMER

Products offer by *Micro Commercial Components Corp.* are not intended for use in Medical, Aerospace or Military Applications.