



Chipsmall Limited consists of a professional team with an average of over 10 year of expertise in the distribution of electronic components. Based in Hongkong, we have already established firm and mutual-benefit business relationships with customers from,Europe,America and south Asia,supplying obsolete and hard-to-find components to meet their specific needs.

With the principle of “Quality Parts,Customers Priority,Honest Operation,and Considerate Service”,our business mainly focus on the distribution of electronic components. Line cards we deal with include Microchip,ALPS,ROHM,Xilinx,Pulse,ON,Everlight and Freescale. Main products comprise IC,Modules,Potentiometer,IC Socket,Relay,Connector.Our parts cover such applications as commercial,industrial, and automotives areas.

We are looking forward to setting up business relationship with you and hope to provide you with the best service and solution. Let us make a better world for our industry!



Contact us

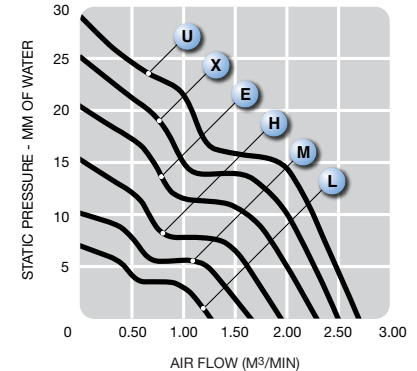
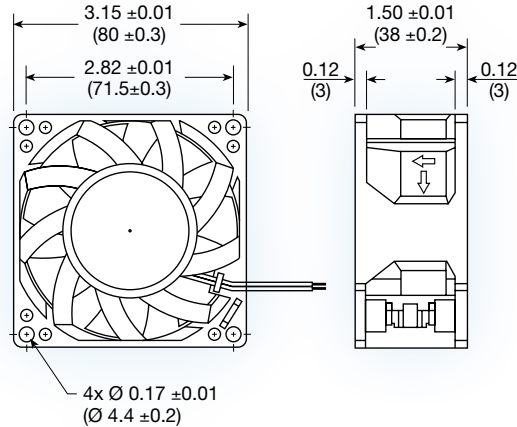
Tel: +86-755-8981 8866 Fax: +86-755-8427 6832

Email & Skype: info@chipsmall.com Web: www.chipsmall.com

Address: A1208, Overseas Decoration Building, #122 Zhenhua RD., Futian, Shenzhen, China



MC8038 series



(80 x 80 x 38 mm)
3.15 x 3.15 x 1.50 inches

Construction:	UL94V-0 PBT impeller & frame
Bearing option:	ball bearing
Connection:	AWG 26, UL1007 lead wires
Frame:	flanged
Protection:	thermal
Options:	tachometer output or locked rotor alarm signal; PWM speed control

Model No.	Rated Voltage V	Current mA			Speed RPM	Air Volume		Max. Static Pressure (H ₂ O)		Sound Noise dB _A	Weight g
		12	24	48		M ³ /Min.	CFM	MM	INCH		
MC8038L	12/24/48	240	140	90	3,400	1.28	45.3	7.23	0.28	39.0	180
MC8038M	12/24/48	370	230	140	4,200	1.63	57.5	10.30	0.41	44.5	180
MC8038H	12/24/48	610	330	190	5,000	1.98	69.9	15.62	0.61	48.2	180
MC8038E	12/24/48	930	450	280	5,800	2.31	81.6	21.38	0.84	52.1	180
MC8038X	12/24	1200	600	-	6,300	2.51	86.6	25.22	0.99	56.4	180
MC8038U	12/24	1500	890	-	6,800	2.71	95.6	29.38	1.15	60.2	180