

Chipsmall Limited consists of a professional team with an average of over 10 year of expertise in the distribution of electronic components. Based in Hongkong, we have already established firm and mutual-benefit business relationships with customers from,Europe,America and south Asia,supplying obsolete and hard-to-find components to meet their specific needs.

With the principle of “Quality Parts,Customers Priority,Honest Operation,and Considerate Service”,our business mainly focus on the distribution of electronic components. Line cards we deal with include Microchip,ALPS,ROHM,Xilinx,Pulse,ON,Everlight and Freescale. Main products comprise IC,Modules,Potentiometer,IC Socket,Relay,Connector.Our parts cover such applications as commercial,industrial, and automotives areas.

We are looking forward to setting up business relationship with you and hope to provide you with the best service and solution. Let us make a better world for our industry!



## Contact us

Tel: +86-755-8981 8866 Fax: +86-755-8427 6832

Email & Skype: info@chipsmall.com Web: www.chipsmall.com

Address: A1208, Overseas Decoration Building, #122 Zhenhua RD., Futian, Shenzhen, China

## Interactive Catalog Replaces Catalog Pages

Honeywell Sensing and Control has replaced the PDF product catalog with the new **Interactive Catalog**. The **Interactive Catalog** is a power search tool that makes it easier to find product information. It includes more installation, application, and technical information than ever before.



**Click this icon to try the new  
Interactive Catalog.**

---

### **Sensing and Control**

Honeywell Inc.

11 West Spring Street

Freeport, Illinois 61032

# Basic Switches

## Auxiliary Actuators Standard Basic



### FEATURES

- Additional overtravel
- Quick, easy installation
- Corrosion resistance
- MIL-S-8805 listed units

**NOTE: Switches shown are not included with the actuator. All actuators are for use with pin plunger types only except catalog listing JR.**

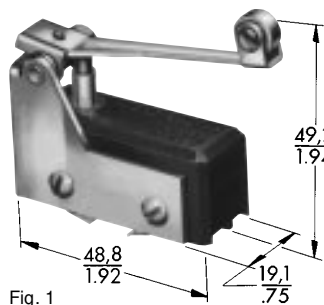
### GENERAL INFORMATION

Auxiliary actuators adapt the plunger-type standard basic switches to many application needs. Auxiliary actuators minimize the need for a large inventory of switch types. Actuators and switches are sold as separate items and must be ordered separately. Mounting hardware is furnished with the actuator.

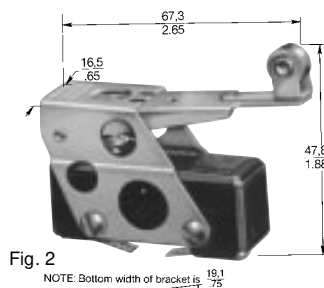
### Characteristics:

O.T. — Overtravel;  
O.P. — Operating Position;  
F.P. — Free Position.

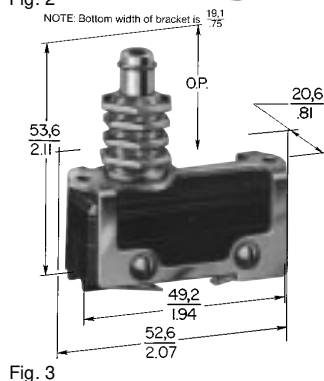
### ORDER GUIDE



Description	Catalog Listing	Use Only With	O.T. min. mm inches	O.P.* mm inches	F.P. max. mm inches
Roller lever for "S" plunger type BZ and DT switches only. Permits cam operation.	JR	BZ DT	11.1 .437	44,45±3,18 1.75±.125	



Adjustable roller lever. Tang on top of actuator can be bent to adjust O.P. and F.P.	AD5721R (8805/59) AN3169-1	BZ BM	11,1 .437 approx.	31,75-41,15 1.25-1.62	39,6-43,7 1.56-1.72
	ADA3721R	BA BE	9,53 .375 approx.	40,48 1.594 approx.	43,03 1.812
	ADD3721R	DT MT	9,53 .375 approx.	39,6 1.562 approx.	46,03 1.812



Straight plunger. Panel mount.	MC2711 (8805/59) AN3168-2	BZ BM	4,78 .188	27,79 .188	29,4 1.156
	MCA2711	BA BE	3,96 .156	28,17 1.109	30,18 1.188
	MCD2711	DT MT	3,58 .141	27,79 1.094	30,18 1.188

Dimensions shown are for reference only.

Except where stated \* ±1,14 mm  
±.045 in.

# Basic Switches

## Auxiliary Actuators Standard Basics

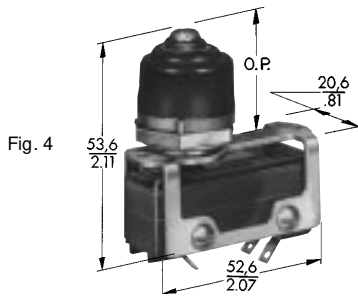


Fig. 4

### ORDER GUIDE

Description	Catalog Listing	Use Only With	O.T. min. mm Inches	O.P* mm Inches	F.P. max. mm Inches
Sealed straight plunger. Panel mount. Elastomer seal boot keeps out liquid splash and dirt. Furnished unassembled.	<b>MC2711H</b>	BZ BM	4,78 .188	28,98 1.141	29,4 1.156
	<b>MCA2711H</b>	BA BE	4,37 .172	27,38±0,76 1.078±.030	29,56 1.156
	<b>MCD2711H</b>	DT MT	3,58 .141	27,79 1.094	30,18 1.188

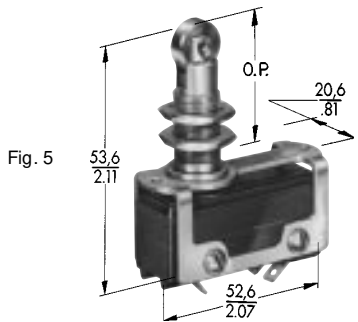


Fig. 5

Roller plunger. Panel mount. Roller parallel to long axis of the switch.	<b>MD3211Q</b>	BZ BM	3,18 .125 approx.	35,7 1.406	37,69 1.484
	<b>MDA3711Q</b>	BA BE	3,18 .125	36,12 1.422	37,69 1.484
	<b>MD3211Q</b>	DT MT	3,18 .125	35,7 1.406	37,69 1.484

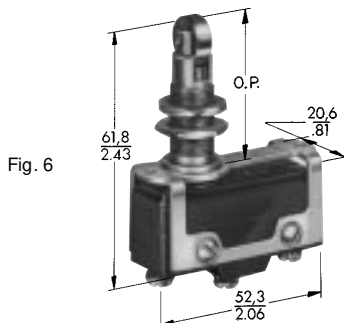


Fig. 6

Cross roller plunger. Panel mount. Roller perpendicular to long axis of the switch.	<b>MD3211Q1</b>	BZ BM	3,18 .125 approx.	35,7 1.406	37,69 1.484
	<b>MDA3711Q1</b>	BA BE	3,18 .125	36,12 1.422	37,69 1.484
	<b>MD3211Q1</b>	DT MT	3,18 .125	35,7 1.406	37,69 1.484

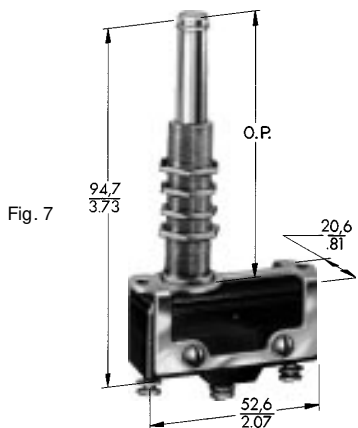


Fig. 7

High overtravel plunger. Panel mount.	<b>MC7711 (8805/58) AN3167-1</b>	BZ BM	20,62 .812	69,1 2.719	70,64 2.781
	<b>MCA7711</b>	BA BE	19,84 .781	69,44 2.734	71,42 2.812
	<b>MCD7711</b>	DT MT	18,26 .719	69,1 2.719	71,42 2.812

Except where stated\* ±1,14 mm  
±.045 in.

Standard  
Basic Switches