



Chipsmall Limited consists of a professional team with an average of over 10 year of expertise in the distribution of electronic components. Based in Hongkong, we have already established firm and mutual-benefit business relationships with customers from,Europe,America and south Asia,supplying obsolete and hard-to-find components to meet their specific needs.

With the principle of “Quality Parts,Customers Priority,Honest Operation,and Considerate Service”,our business mainly focus on the distribution of electronic components. Line cards we deal with include Microchip,ALPS,ROHM,Xilinx,Pulse,ON,Everlight and Freescale. Main products comprise IC,Modules,Potentiometer,IC Socket,Relay,Connector.Our parts cover such applications as commercial,industrial, and automotives areas.

We are looking forward to setting up business relationship with you and hope to provide you with the best service and solution. Let us make a better world for our industry!



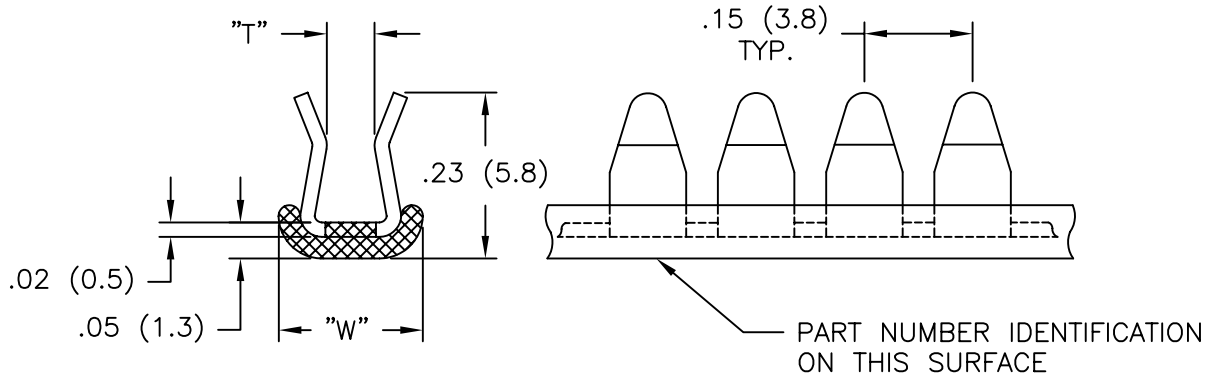
Contact us

Tel: +86-755-8981 8866 Fax: +86-755-8427 6832

Email & Skype: info@chipsmall.com Web: www.chipsmall.com

Address: A1208, Overseas Decoration Building, #122 Zhenhua RD., Futian, Shenzhen, China





PART NO.	WIDTH "W"	"T" APPLICATION THICKNESS RANGE
MCCGF-1N	.19 (4.8)	.029-.045 (0.7-1.1)
MCCGF-2N		.044-.056 (1.1-1.4)
MCCGF-3N		.055-.069 (1.4-1.7)

NOTES:

1. MATERIAL: 304 STAINLESS STEEL (RMS-283).
2. COATING: NYLON 11 (RMS-192), COLOR: BLACK.
3. CUSHION: THERMOPLASTIC ELASTOMER, 60 SHORE D (RMS-300), COLOR: BLACK.
TABER ABRASION RESISTANCE: PER D1044 1kg LOAD, C17 WHEEL, 25 mg LOSS AFTER 1000 CYCLES.
4. DIELECTRIC STRENGTH: 1500 VOLTS @ 60 HZ.
5. OPERATING TEMPERATURE RANGE: -40°F TO 185°F (-40°C TO 85°C).
6. SALT SPRAY TESTING: 2000 HOURS, ASTM B117. MIL-STD-202, METHOD 301.
7. FLAMMABILITY: UL 94 V-0 YELLOW CARD NO. E113553 NZMT2.
8. RANDOM SHOCK AND VIBRATION: MIL-STD-1344, METHOD 2005.1, TEST CONDITION VI, LETTER "J".
DURATION 8 HOURS LONGITUDINAL AND 8 HOURS PERPENDICULAR. rms G 41.7.
9. LENGTH: 100 FT (30.5m) REELS.
10. HAND HELD CUTTING TOOL NEEDED, ORDER P/N : MCGS-1
11. FITS ANY FOUR AXIS CONTOUR.
12. COLOR CODE STRIPE: PRINTING INK (RMS-346).

TITLE: METAL CONTINUOUS CUSHION GROMMET, FLEXIBLE			DWG IN IN (MM)		FINAL				
TOLERANCES UNLESS NOTED .XX=±.010 .XXX=±.005 FRAC=±1/64 ANG=±1°			FILE # MCCGF	DWN: S.M.	APP:		PART #		
RE: RICHCO, INC.			MAT'L: SEE NOTES	DT: 08.01.02	DT:		MCCGF SERIES		
B SEE ECN #1284 FOR CHANGES SK 02.08.07			RICHCO INC. PO BOX 804238, CHICAGO, 60680 (773) 539-4060			PRINT TYPE			
A SEE ECN #1283 FOR CHANGES SK 02.05.07						CA			
REV DESCRIPTION ENGR DATE									