



Chipsmall Limited consists of a professional team with an average of over 10 year of expertise in the distribution of electronic components. Based in Hongkong, we have already established firm and mutual-benefit business relationships with customers from,Europe,America and south Asia,supplying obsolete and hard-to-find components to meet their specific needs.

With the principle of “Quality Parts,Customers Priority,Honest Operation,and Considerate Service”,our business mainly focus on the distribution of electronic components. Line cards we deal with include Microchip,ALPS,ROHM,Xilinx,Pulse,ON,Everlight and Freescale. Main products comprise IC,Modules,Potentiometer,IC Socket,Relay,Connector.Our parts cover such applications as commercial,industrial, and automotives areas.

We are looking forward to setting up business relationship with you and hope to provide you with the best service and solution. Let us make a better world for our industry!



Contact us

Tel: +86-755-8981 8866 Fax: +86-755-8427 6832

Email & Skype: info@chipsmall.com Web: www.chipsmall.com

Address: A1208, Overseas Decoration Building, #122 Zhenhua RD., Futian, Shenzhen, China



MCDP2900 DisplayPort1.4 to HDMI2.0 Converter

■ GENERAL DESCRIPTION

The MCDP2900 is an advanced DisplayPort1.4-to-HDMI2.0 protocol converter targeted for TVs, Game consoles and other consumer equipment as well as for mobile PC, tablet accessory applications. This device is an active protocol converter with HDCP1.x/ HDCP2.2 repeater supporting HDR video quality for deep color media content playback. This device is highly suitable for video sources such as BD players, Game consoles and STBs for streaming 4K HDR protected content over HDMI2.0 interface. It is also a seemly solution for TVs, monitors, docking stations, dongles and other video accessory designs featuring DP Alt mode over USB Type-C interface.

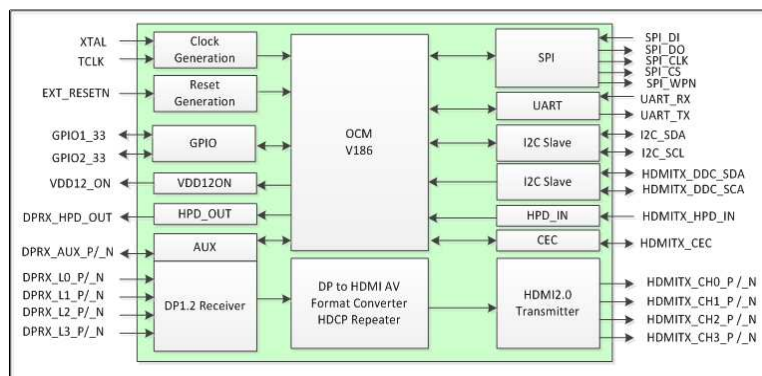
The MCDP2900 supports UHD video formats, resolutions as high as 4096x 2160 @ 60 Hz in RGB/YCbCr video color formats with a color depth of 16 bpc as long as it fits within the DP and HDMI link bandwidth. This device supports pixel encoding conversion from RGB or YCbCr444 to YCbCr422/420 function. Thus HDR video with deep color up to 12bpc at 4Kp60Hz is supported through the conversion of RGB/YCbCr444 over DP link with horizontal expansion to CEA timings to YCbCr420 on the HDMI TX output.

The MCDP2900 has higher level of security features such as encrypted on-chip key storage, secure firmware, secure boot and protected IOs. It is a low power device with enhanced ESD protection.

■ FEATURES

- DisplayPort1.4 receiver
- HDMI2.0 transmitter
- Video stream handling 600MHz, 16bpp
- Max video resolution 4K2k60Hz
- RGB/YUV444 color space conversion
- Chroma down sampling
- High Dynamic Range (HDR) imaging
- Steroscopic 3D forwarding
- Horizontal blanking expansion
- SCDC read request handling
- CEC tunneling, snooping
- Metadata handling-CEA infoframe, HDR
- HDCP1.x/2.2 TX/RX/repeater
- Advanced Security- Secure boot, FW
- Power: 600mW active; 0.3mW standby
- ESD: HBM +/-6KV; CDM 500V
- 64 LFBGA (7mm x 7mm) package

■ BLOCK DIAGRAM



MegaChips Corporation			MegaChips Technology America Corporation
Corporate Headquarters Shin-Osaka Hankyu Building 1-1-1 Miyahara, Yodogawa-ku Osaka 532-0003, Japan	Makuhari Office 1-3, Nakase, Mihama-ku, Chiba 261-8501, Japan	Tokyo Office 17-6 Ichibancho, Chiyoda-ku, Tokyo 102-0082, Japan	2033 Gateway Place, Suite 400, San Jose, CA 95110, USA
Tel +81-6-6399-2884 Fax +81-6-6399-2886	Tel +81-43-296-7414 Fax +81-43-296-3285	Tel: +81-3-3512-5083 Fax: +81-3-3262-3358	Tel: +1 (408) 570-0555 Fax: +1 (408) 570-0567 E-mail: mca_sales@megachips.com
www.megachips.co.jp			http://www.megachips.com/