



Chipsmall Limited consists of a professional team with an average of over 10 year of expertise in the distribution of electronic components. Based in Hongkong, we have already established firm and mutual-benefit business relationships with customers from,Europe,America and south Asia,supplying obsolete and hard-to-find components to meet their specific needs.

With the principle of "Quality Parts,Customers Priority,Honest Operation,and Considerate Service",our business mainly focus on the distribution of electronic components. Line cards we deal with include Microchip,ALPS,ROHM,Xilinx,Pulse,ON,Everlight and Freescale. Main products comprise IC,Modules,Potentiometer,IC Socket,Relay,Connector.Our parts cover such applications as commercial,industrial, and automotives areas.

We are looking forward to setting up business relationship with you and hope to provide you with the best service and solution. Let us make a better world for our industry!



Contact us

Tel: +86-755-8981 8866 Fax: +86-755-8427 6832

Email & Skype: info@chipsmall.com Web: www.chipsmall.com

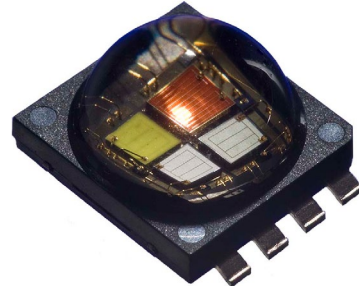
Address: A1208, Overseas Decoration Building, #122 Zhenhua RD., Futian, Shenzhen, China



Cree® XLamp® MC-E LED



MC-E White



MC-E Color

PRODUCT DESCRIPTION

The XLamp® MC-E LED is a family of lighting-class, multi-chip LEDs that provides high lumen output in a small package. Compared to discrete LEDs, XLamp MC-E LEDs reduce the distance between LED die, creating a small optical source for excellent optical control and efficient color mixing. XLamp MC-E LEDs can reduce LED system complexity by reducing the number of components required.

Cree XLamp LEDs bring high performance and quality of light to a wide range of lighting applications, including color-changing lighting, portable and personal lighting, outdoor lighting, indoor directional lighting, and entertainment lighting.

FEATURES

- Available in white (2600 K–10,000 K CCT), EasyWhite®, or color (RGBW)
- ANSI-compatible neutral & warm white chromaticity bins
- Individually addressable LEDs
- MC-E EasyWhite LEDs available in 2- and 4-step bins, up to 85 CRI
- Maximum drive current: 700 mA per LED die
- Reflow solderable – JEDEC J-STD-020
- Electrically neutral thermal path
- RoHS and REACH compliant
- UL® recognized component (E349212)

TABLE OF CONTENTS

| | |
|--|----|
| Characteristics | |
| Complete Package | 2 |
| Per LED Die (White) | 2 |
| Per LED Die (Color) | 2 |
| Flux Characteristics | |
| White, Color | 3 |
| EasyWhite® | 4 |
| Relative Spectral Power Distribution | |
| White | 5 |
| Color | 5 |
| Relative Flux Output vs Junction Temperature | 6 |
| Electrical Characteristics | 7 |
| Relative Intensity vs. Current | 7 |
| Typical Spatial Radiation Pattern | 8 |
| Reflow Soldering Characteristics | 9 |
| Notes | 10 |
| Mechanical Dimensions | 12 |
| Tape and Reel | 13 |
| Packaging | 14 |



CHARACTERISTICS - COMPLETE PACKAGE

The following table lists the product characteristics for the XLamp MC-E LED package.

| Characteristics | Unit | Minimum | Typical | Maximum |
|--|---------|---------|---------|---------|
| Thermal Resistance, junction to solder point - white | °C/W | | 3 | |
| Thermal Resistance, junction to solder point - color | °C/W | | 4 | |
| Viewing Angle (FWHM) - white | degrees | | 110 | |
| Viewing Angle (FWHM) - color | degrees | | 115 | |
| ESD Withstand Voltage (HBM per Mil-Std-883D) | V | | | 8000 |
| LED Junction Temperature | °C | | | 150 |

CHARACTERISTICS - PER LED DIE (WHITE, EASYWHITE®)

The following table lists the product characteristics of each individual LED die within the XLamp MC-E White LED package.

| Characteristics | Unit | Minimum | Typical | Maximum |
|------------------------------------|-------|---------|---------|---------|
| Temperature Coefficient of Voltage | mV/°C | | -4 | |
| DC Forward Current | mA | | | 700 |
| Reverse Voltage | V | | | 5 |
| Forward Voltage (@ 350 mA) | V | | 3.1 | 3.9 |
| Forward Voltage (@ 700 mA) | V | | 3.4 | |

CHARACTERISTICS - PER LED DIE (COLOR)

The following table lists the product characteristics for each LED die within the XLamp MC-E Color LED package.

| Characteristics | Unit | | Red | Green | Blue | White |
|------------------------------------|-------|---------|-----|-------|------|-------|
| Temperature Coefficient of Voltage | mV/°C | Typical | -2 | -4 | -4 | -4 |
| DC Forward Current | mA | Maximum | 700 | 700 | 700 | 700 |
| Reverse Voltage | V | Maximum | 5 | 5 | 5 | 5 |
| Forward Voltage (@ 350 mA) | V | Typical | 2.1 | 3.4 | 3.2 | 3.1 |
| | | Maximum | 2.5 | 3.9 | 3.9 | 3.9 |
| Forward Voltage (@ 700 mA) | V | Typical | 2.3 | 3.7 | 3.5 | 3.5 |

FLUX CHARACTERISTICS - WHITE, COLOR (T_j = 25 °C)

The following table provides several base order codes for XLamp MC-E LEDs. It is important to note that the base order codes listed here are a subset of the total available order codes for the product family. For more order codes, as well as a complete description of the order-code nomenclature, please consult the XLamp MC-E LED Binning and Labeling document.

| Part | Color | CCT / Dominant Wavelength Range | | Minimum Luminous Flux @ 350 mA* | | Order Code |
|-------|---------------|---------------------------------|----------|---------------------------------|-----------|--------------------------|
| | | Minimum | Maximum | Group | Flux (lm) | |
| White | Cool White | 5000 K | 10,000 K | K | 370 | MCE4WT-A2-0000-000K01 |
| | | | | M | 430 | MCE4WT-A2-0000-000M01 |
| | Neutral White | 3700 K | 5000 K | J | 320 | MCE4WT-A2-0000-000JE4 |
| | | | | K | 370 | MCE4WT-A2-0000-000KE4 |
| | Warm White | 2600 K | 3700 K | G | 240 | MCE4WT-A2-0000-000GE7 |
| | | | | H | 280 | MCE4WT-A2-0000-000HE7 |
| | | | | J | 320 | MCE4WT-A2-0000-000JE7 |
| Color | Red | 620 nm | 630 nm | A5 | 30.6 | MCE4CT-A2-0000-00A5AAAA1 |
| | Green | 520 nm | 535 nm | | 67.2 | |
| | Blue | 450 nm | 465 nm | | 8.2 | |
| | Cool White | 5700 K | 7000 K | | 100 | |
| | Red | 620 nm | 630 nm | A4 | 30.6 | MCE4CT-A2-0000-00A4AAAB1 |
| | Green | 520 nm | 535 nm | | 67.2 | |
| | Blue | 450 nm | 465 nm | | 8.2 | |
| | Neutral White | 3700 K | 4300 K | | 80 | |

Notes:

- Cree maintains a tolerance of ±7% on flux and power measurements, ±0.005 on chromaticity (CCx, CCy) measurements, ±2 on CRI measurements and ± 1 nm on dominant wavelength measurements. See the Measurements section (page 10).
- Typical CRI for cool white and neutral white (3700 K - 10,000 K CCT) is 75.
- Typical CRI for warm white (2600 K - 3700 K CCT) is 80.
- * Flux and chromaticity are measured with each LED die connected to independent drive circuits at 350 mA. The flux and chromaticity of XLamp MC-E White LED are measured with all LEDs lit simultaneously. The flux and color of each LED in XLamp and MC-E Color LEDs are measured individually.

FLUX CHARACTERISTICS - EASYWHITE® MC-E LEDS ($T_j = 25\text{ }^\circ\text{C}$)

The following table provides order codes for XLamp MC-E EasyWhite LEDs. For a complete description of the order-code nomenclature, please consult the XLamp MC-E LED Binning and Labeling document.

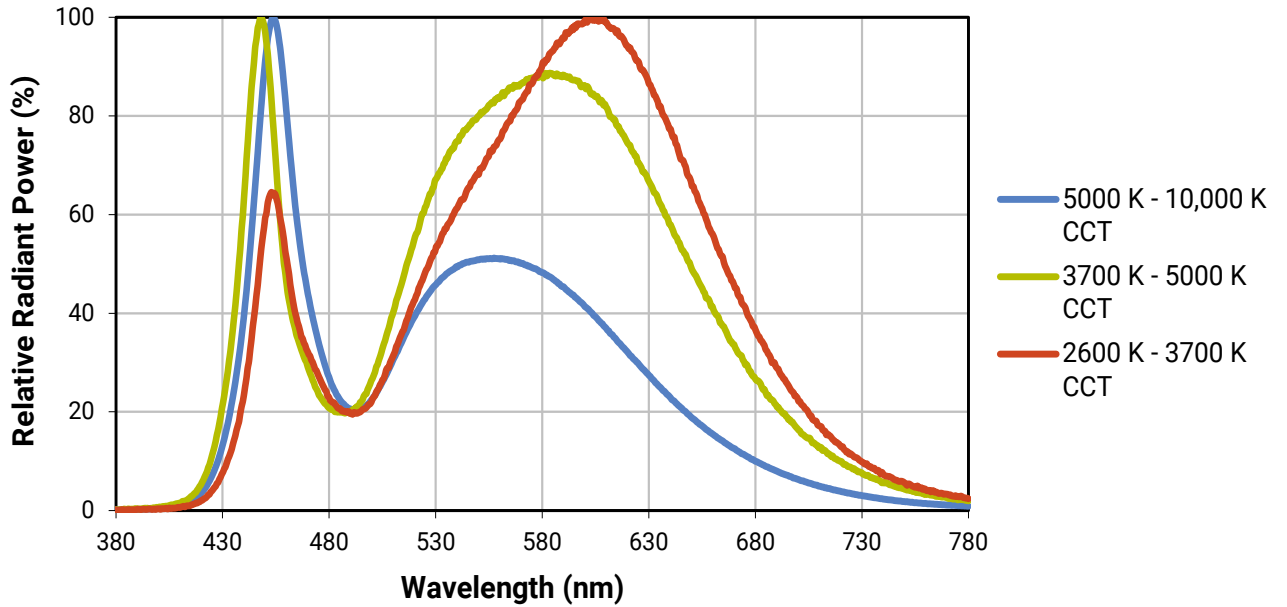
| Color | CCT Range | Minimum Luminous Flux @ 350 mA, 25 ° C* | | 2-Step | | 4-Step | | |
|--------------------------|--------------------------|---|-----------|---------------------|--------------------------|--------------------------|--------------------------|--------------------------|
| | | Group | Flux (lm) | Chromaticity Region | Order Code | Chromaticity Region | Order Code | |
| Standard CRI EasyWhite | 4000 K | K | 370 | 40H | MCEEZW-A1-0000-0000K040H | 40F | MCEEZW-A1-0000-0000K040F | |
| | | J | 320 | | MCEEZW-A1-0000-0000J040H | | MCEEZW-A1-0000-0000J040F | |
| | 3500 K | J | 320 | 35H | MCEEZW-A1-0000-0000J035H | 35F | MCEEZW-A1-0000-0000J035F | |
| | | H | 280 | | MCEEZW-A1-0000-0000H035H | | MCEEZW-A1-0000-0000H035F | |
| | 3000 K | J | 320 | 30H | MCEEZW-A1-0000-0000J030H | 30F | MCEEZW-A1-0000-0000J030F | |
| | | H | 280 | | MCEEZW-A1-0000-0000H030H | | MCEEZW-A1-0000-0000H030F | |
| | 2700 K | J | 320 | 27H | MCEEZW-A1-0000-0000J027H | 27F | MCEEZW-A1-0000-0000J027F | |
| | | H | 280 | | MCEEZW-A1-0000-0000H027H | | MCEEZW-A1-0000-0000H027F | |
| | 80-CRI Minimum EasyWhite | 4000 K | K | 370 | 40H | MCEEZW-H1-0000-0000K040H | 40F | MCEEZW-H1-0000-0000K040F |
| | | | J | 320 | | MCEEZW-H1-0000-0000J040H | | MCEEZW-H1-0000-0000J040F |
| 3500 K | | J | 320 | 35H | MCEEZW-H1-0000-0000J035H | 35F | MCEEZW-H1-0000-0000J035F | |
| | | H | 280 | | MCEEZW-H1-0000-0000H035H | | MCEEZW-H1-0000-0000H035F | |
| 3000 K | | J | 320 | 30H | MCEEZW-H1-0000-0000J030H | 30F | MCEEZW-H1-0000-0000J030F | |
| | | H | 280 | | MCEEZW-H1-0000-0000H030H | | MCEEZW-H1-0000-0000H030F | |
| 2700 K | | J | 320 | 27H | MCEEZW-H1-0000-0000J027H | 27F | MCEEZW-H1-0000-0000J027F | |
| | | H | 280 | | MCEEZW-H1-0000-0000H027H | | MCEEZW-H1-0000-0000H027F | |
| 85-CRI Minimum EasyWhite | | 3000 K | H | 280 | 30H | MCEEZW-P1-0000-0000H030H | 30F | MCEEZW-P1-0000-0000H030F |
| | | | G | 240 | | MCEEZW-P1-0000-0000G030H | | MCEEZW-P1-0000-0000G030F |
| | 2700 K | H | 280 | 27H | MCEEZW-P1-0000-0000H027H | 27F | MCEEZW-P1-0000-0000H027F | |
| | | G | 240 | | MCEEZW-P1-0000-0000G027H | | MCEEZW-P1-0000-0000G027F | |

Notes:

- Cree maintains a tolerance of $\pm 7\%$ on flux and power measurements, ± 0.005 on chromaticity (CCx, CCy) measurements and ± 2 on CRI measurements. See the Measurements section (page 10).
- For Standard CRI parts, the typical CRI is 80 for 4000 and 3500 K CCT parts and typical CRI is 82 for 3000 and 2700 K CCT.
- * Flux and chromaticity are measured with each LED die connected to independent drive circuits at 350 mA and with all LEDs lit simultaneously.

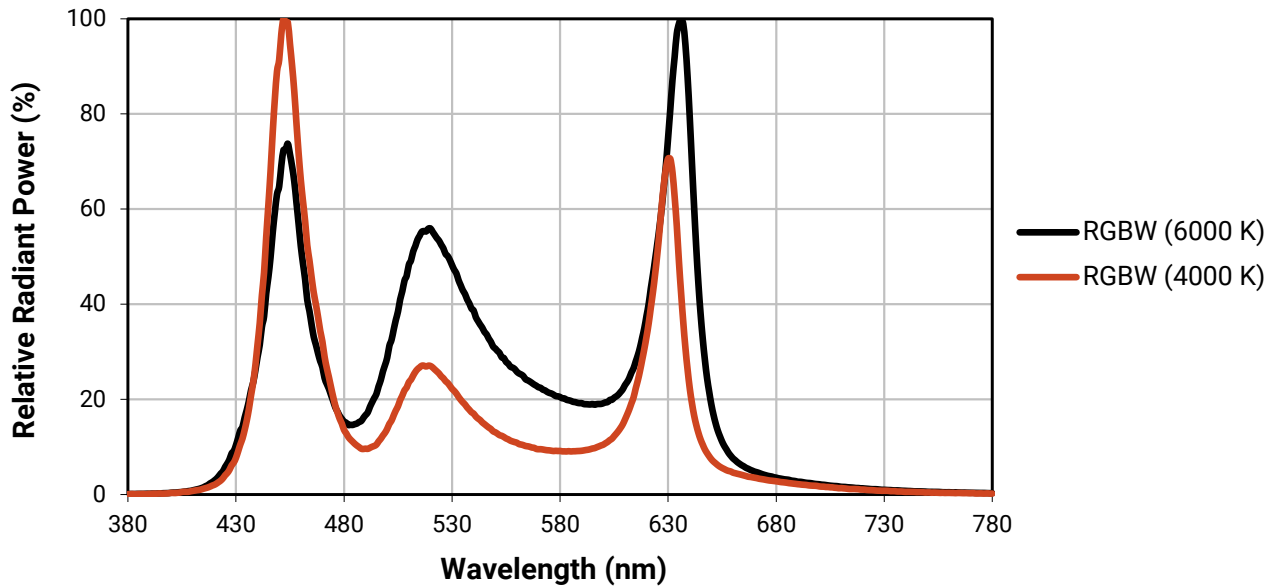
RELATIVE SPECTRAL POWER DISTRIBUTION ($I_F = 350$ mA PER LED) - WHITE

The following graph represents typical spectral output of the XLamp MC-E White LED with all four LEDs on simultaneously.



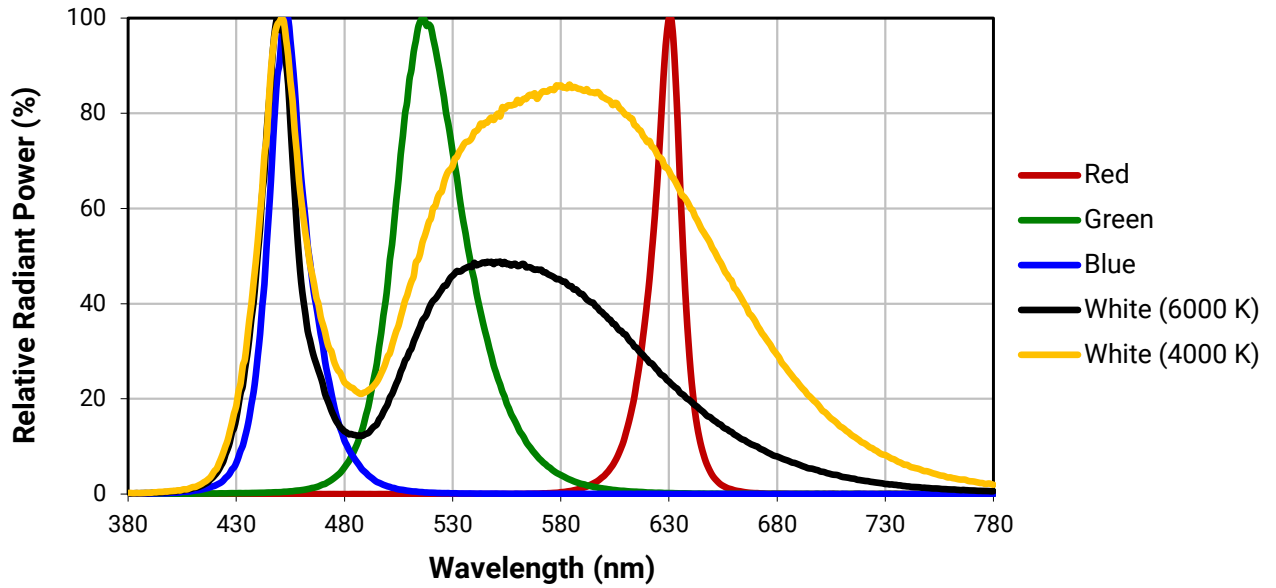
RELATIVE SPECTRAL POWER DISTRIBUTION ($I_F = 350$ mA PER LED) - COLOR

The following graph represents typical spectral output of the XLamp MC-E Color LED with all four LEDs on simultaneously.



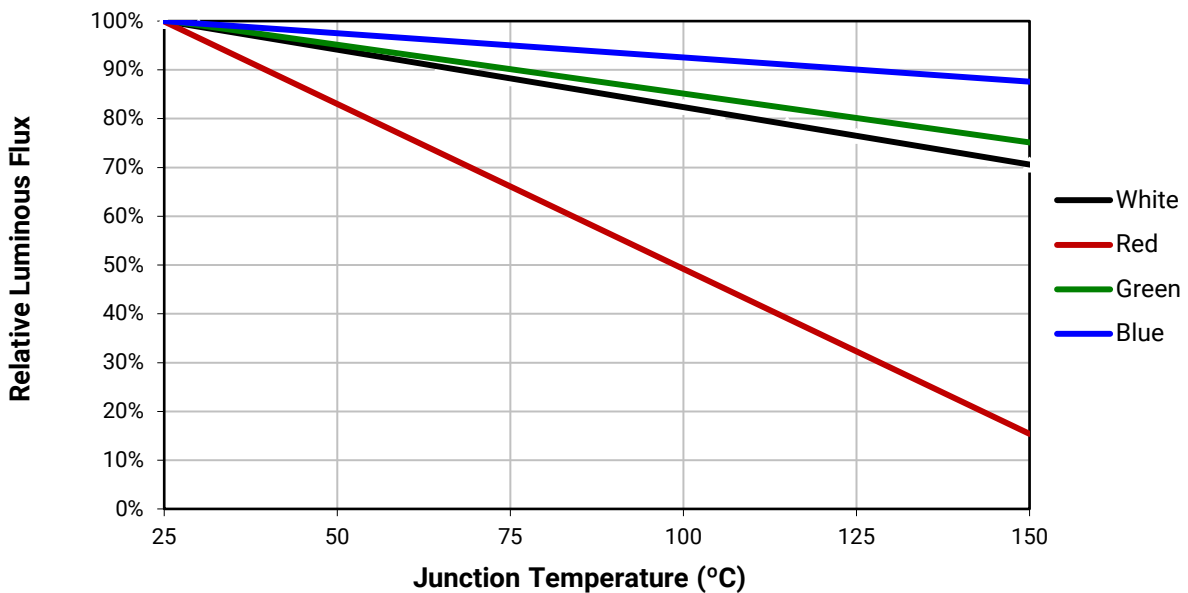
RELATIVE SPECTRAL POWER DISTRIBUTION ($I_F = 350$ mA PER LED) - COLOR (CONTINUED)

The following graph represents typical spectral output of the XLamp MC-E Color LED with each LED on independently.



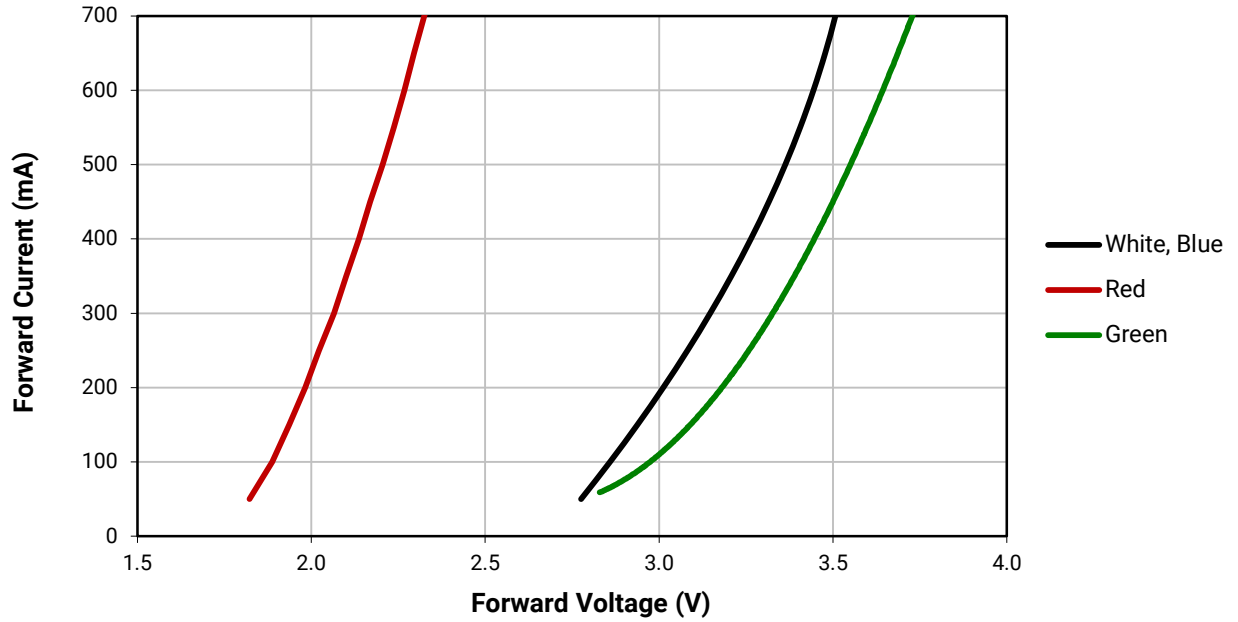
RELATIVE FLUX OUTPUT VS JUNCTION TEMPERATURE ($I_F = 350$ mA)

The following graph represents typical performance of each LED die in the XLamp MC-E LED.



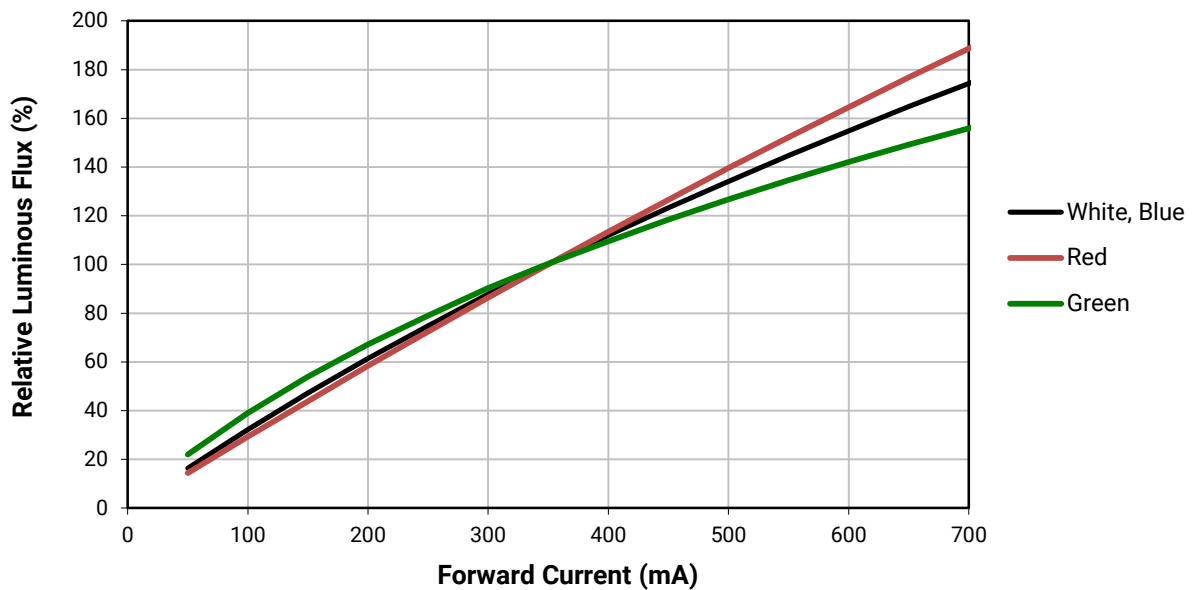
ELECTRICAL CHARACTERISTICS ($T_j = 25\text{ }^\circ\text{C}$)

The following graph represents typical performance of each LED die in the XLamp MC-E LED.



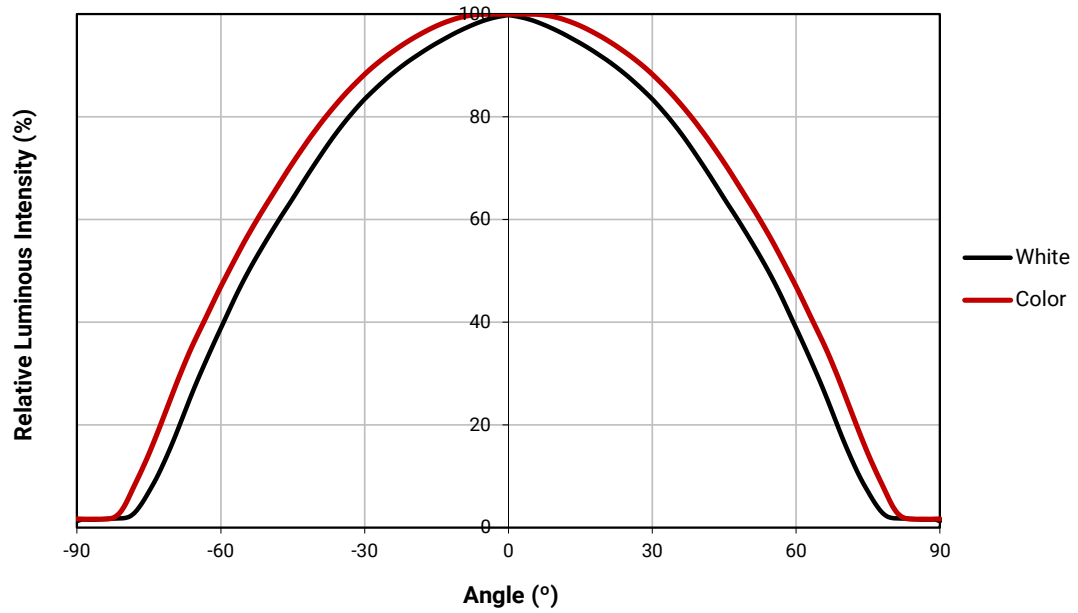
RELATIVE INTENSITY VS. CURRENT ($T_j = 25\text{ }^\circ\text{C}$)

The following graph represents typical performance of each LED die in the XLamp MC-E LED.



TYPICAL SPATIAL RADIATION PATTERN

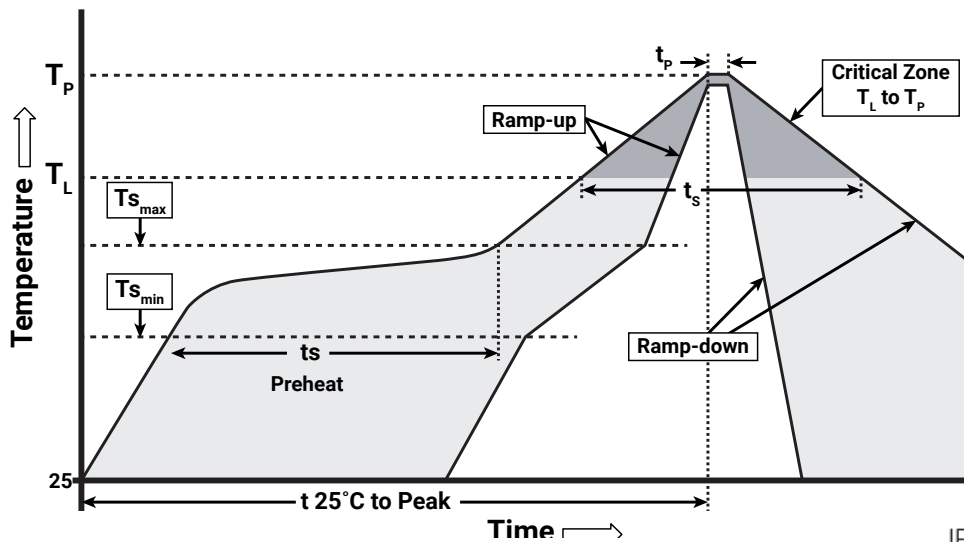
The following graph represents typical output of the XLamp MC-E LED with all four LEDs on simultaneously.



REFLOW SOLDERING CHARACTERISTICS

In testing, Cree has found XLamp MC-E LEDs to be compatible with JEDEC J-STD-020C, using the parameters listed below. As a general guideline, Cree recommends that users follow the recommended soldering profile provided by the manufacturer of the solder paste used, and therefore it is the lamp or luminaire manufacturer’s responsibility to determine applicable soldering requirements.

Note that this general guideline may not apply to all PCB designs and configurations of reflow soldering equipment.



IPC/JEDEC J-STD-020C

| Profile Feature | Lead-Free Solder |
|---|------------------|
| Average Ramp-Up Rate ($T_{s_{max}}$ to T_P) | 1.2 °C/second |
| Preheat: Temperature Min ($T_{s_{min}}$) | 120 °C |
| Preheat: Temperature Max ($T_{s_{max}}$) | 170 °C |
| Preheat: Time ($t_{s_{min}}$ to $t_{s_{max}}$) | 65-150 seconds |
| Time Maintained Above: Temperature (T_L) | 217 °C |
| Time Maintained Above: Time (t_s) | 45-90 seconds |
| Peak/Classification Temperature (T_P) | 235 - 245 °C |
| Time Within 5 °C of Actual Peak Temperature (t_p) | 20-40 seconds |
| Ramp-Down Rate | 1 - 6 °C/second |
| Time 25 °C to Peak Temperature | 4 minutes max. |

Note: All temperatures refer to topside of the package, measured on the package body surface.

NOTES

Measurements

The luminous flux, radiant power, chromaticity, forward voltage and CRI measurements in this document are binning specifications only and solely represent product measurements as of the date of shipment. These measurements will change over time based on a number of factors that are not within Cree’s control and are not intended or provided as operational specifications for the products. Calculated values are provided for informational purposes only and are not intended or provided as specifications.

Pre-Release Qualification Testing

Please read the [LED Reliability Overview](#) for details of the qualification process Cree applies to ensure long-term reliability for XLamp LEDs and details of Cree’s pre-release qualification testing for XLamp LEDs.

Lumen Maintenance

Cree now uses standardized IES LM-80-08 and TM-21-11 methods for collecting long-term data and extrapolating LED lumen maintenance. For information on the specific LM-80 data sets available for this LED, refer to the public [LM-80 results document](#).

Moisture Sensitivity

Cree recommends keeping XLamp MC-E LEDs in the provided, resealable moisture-barrier packaging (MBP) until immediately prior to soldering. Unopened MBPs that contain XLamp LEDs do not need special storage for moisture sensitivity.

Once the MBP is opened, XLamp MC-E LEDs should be handled and stored as MSL 4 per JEDEC J-STD-033, meaning they have limited exposure time before damage to the LED may occur during the soldering operation. The table on the right specifies the maximum exposure time in days depending on temperature and humidity conditions. LEDs with exposure time longer than the specified maximums must be baked according to the baking conditions listed below.

| Temperature | Maximum Percent Relative Humidity | | | | | | |
|-------------|-----------------------------------|-----|-----|-----|-----|-----|-----|
| | 30% | 40% | 50% | 60% | 70% | 80% | 90% |
| 30 °C | 9 | 5 | 4 | 3 | 1 | 1 | 1 |
| 25 °C | 12 | 7 | 5 | 4 | 2 | 1 | 1 |
| 20 °C | 17 | 9 | 7 | 6 | 2 | 2 | 1 |

Baking Conditions

It is not necessary to bake all XLamp MC-E LEDs. Only the LEDs that meet all of the following criteria must be baked:

- LEDs that have been removed from the original MBP.
- LEDs that have been exposed to a humid environment longer than listed in the Moisture Sensitivity section above.
- LEDs that have not been soldered.

LEDs should be baked at 70 °C for 24 hours. LEDs may be baked on the original reels. Remove LEDs from the MBP before baking. Do not bake parts at temperatures higher than 70 °C. This baking operation resets the exposure time as defined in the Moisture Sensitivity section above.

NOTES - CONTINUED

Storage Conditions

XLamp MC-E LEDs that have been removed from the original MBP but not soldered yet should be stored in a room or cabinet that will maintain an atmosphere of 25 ± 5 °C and no greater than 10% RH. For LEDs stored in these conditions, storage time does not add to exposure time as defined in the above Moisture Sensitivity section.

RoHS Compliance

The levels of RoHS restricted materials in this product are below the maximum concentration values (also referred to as the threshold limits) permitted for such substances, or are used in an exempted application, in accordance with EU Directive 2011/65/EC (RoHS2), as implemented January 2, 2013. RoHS Declarations for this product can be obtained from your Cree representative or from the [Product Ecology](#) section of the Cree website.

REACH Compliance

REACH substances of high concern (SVHCs) information is available for this product. Since the European Chemical Agency (ECHA) has published notice of their intent to frequently revise the SVHC listing for the foreseeable future, please contact a Cree representative to insure you get the most up-to-date REACH SVHC Declaration. REACH banned substance information (REACH Article 67) is also available upon request.

UL® Recognized Component

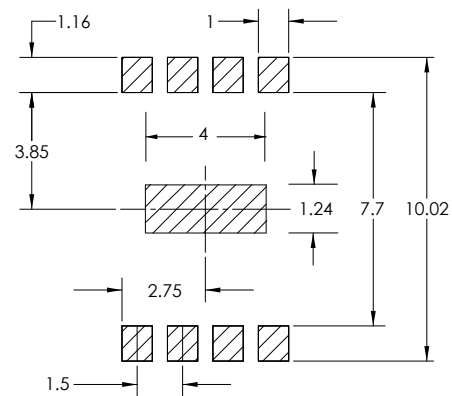
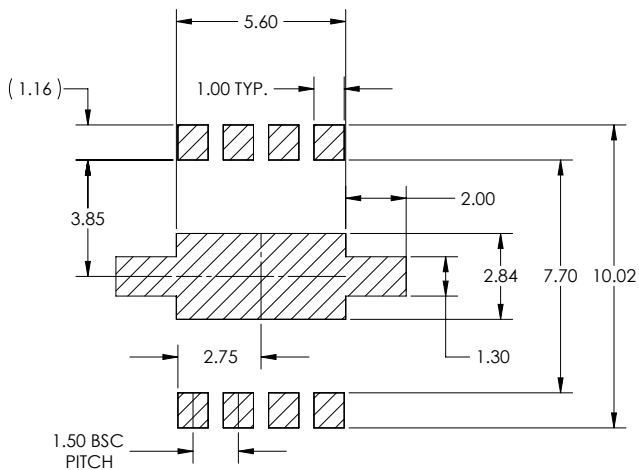
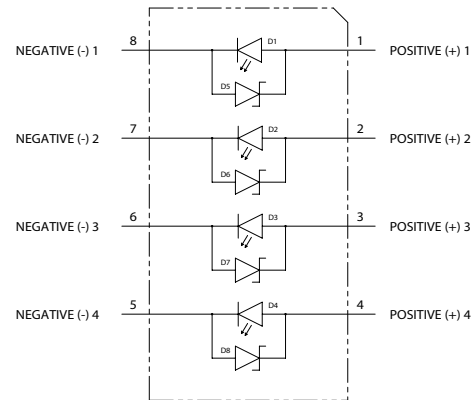
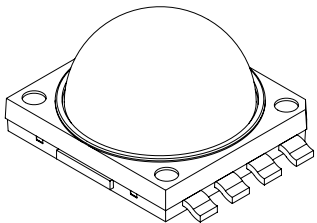
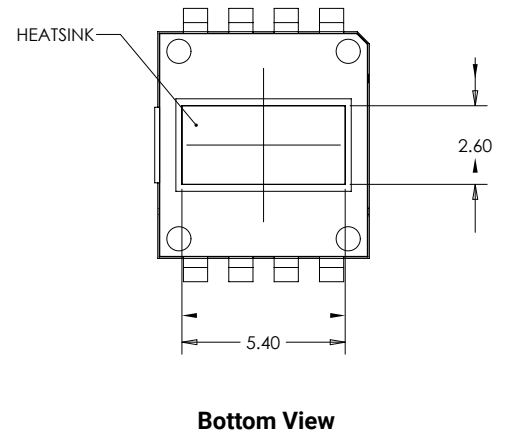
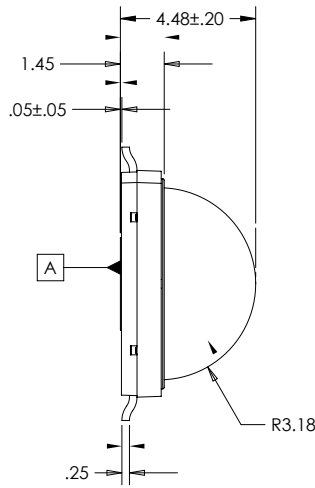
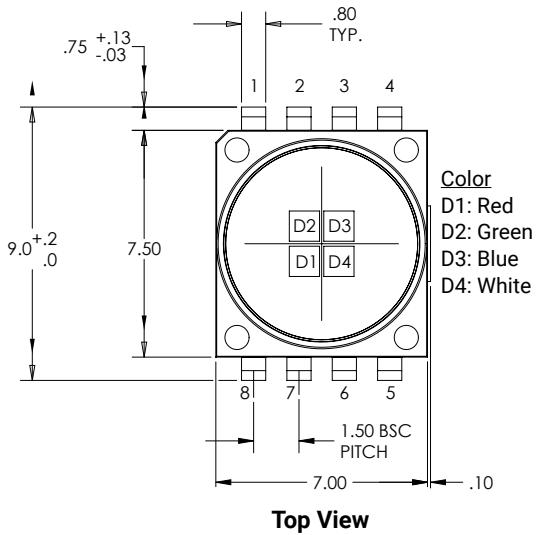
This product meets the requirements to be considered a UL Recognized Component with Level 1 enclosure consideration. The LED package or a portion thereof has not been investigated as a fire enclosure or a fire and electrical enclosure per ANSI/UL 8750.

Vision Advisory

WARNING. Do not look at an exposed lamp in operation. Eye injury can result. For more information about LEDs and eye safety, please refer to the [LED Eye Safety application note](#).

MECHANICAL DIMENSIONS

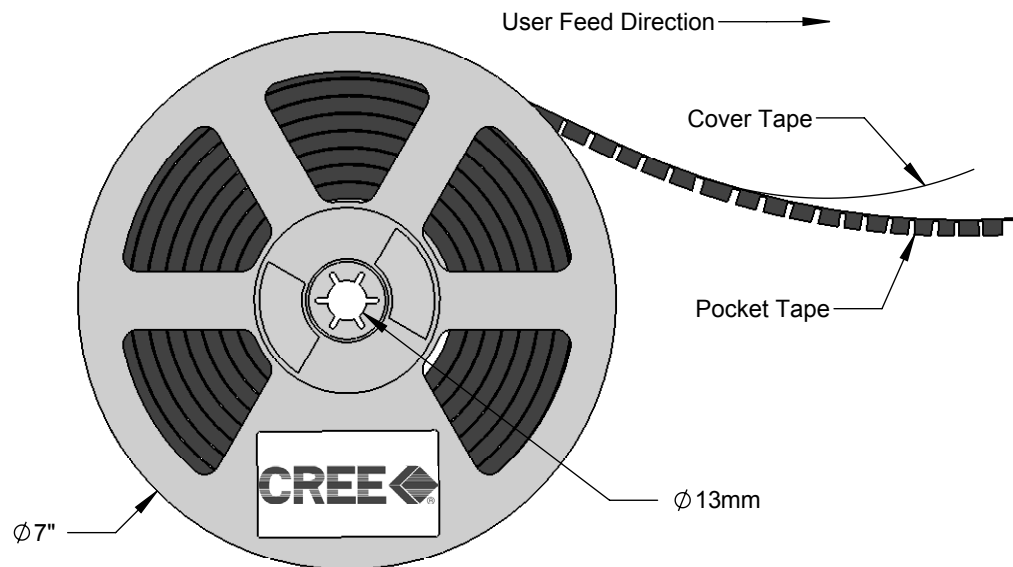
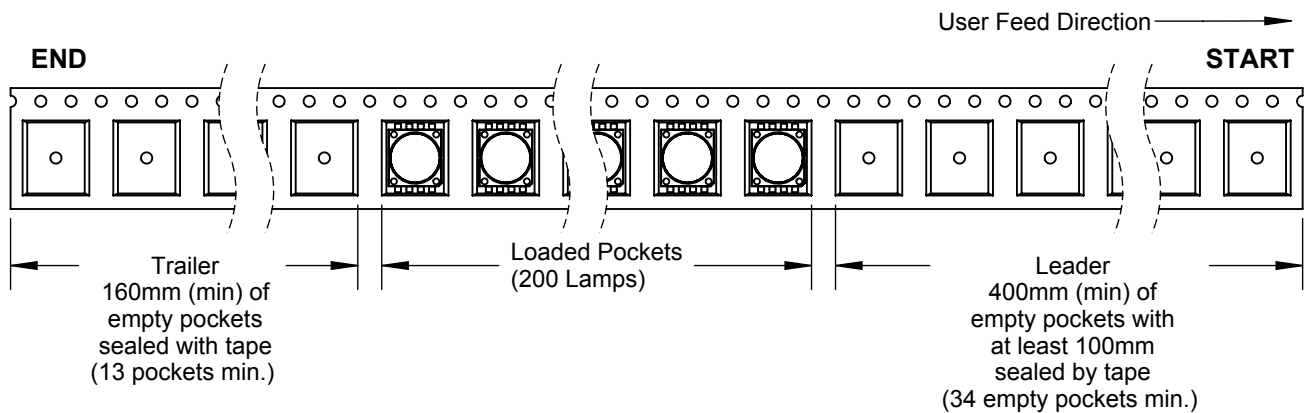
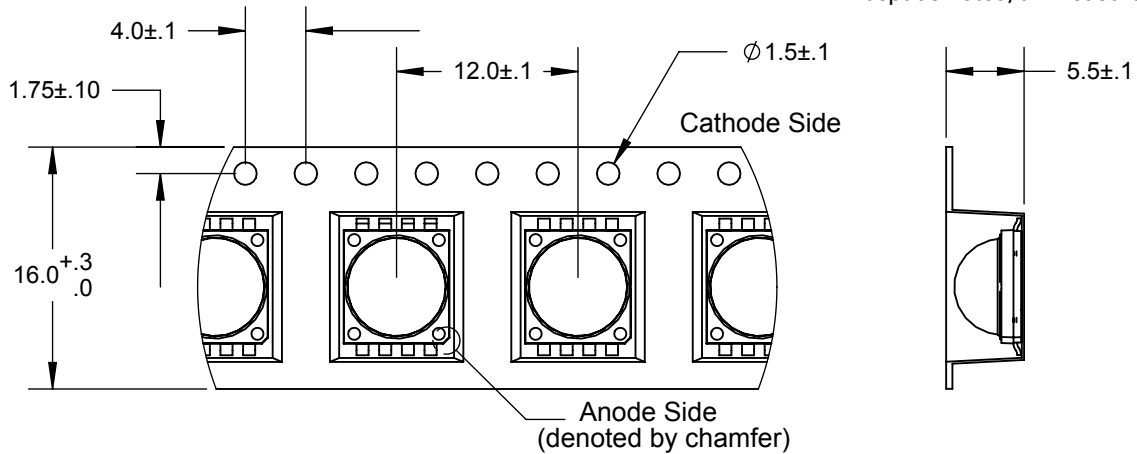
All measurements are ±.1 mm unless otherwise indicated.



TAPE AND REEL

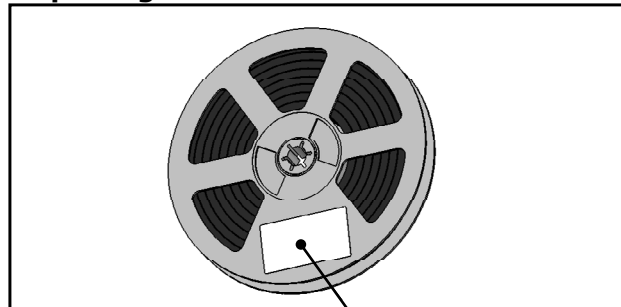
All Cree carrier tapes conform to EIA-481D, Automated Component Handling Systems Standard.

Except as noted, all measurements in mm.



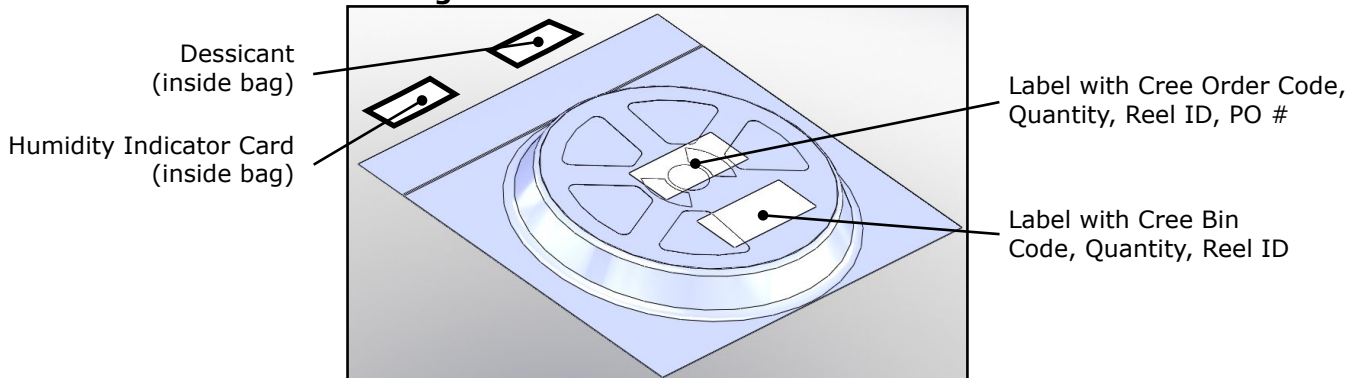
PACKAGING

Unpackaged Reel



Label with Cree Bin Code,
Quantity, Reel ID

Packaged Reel



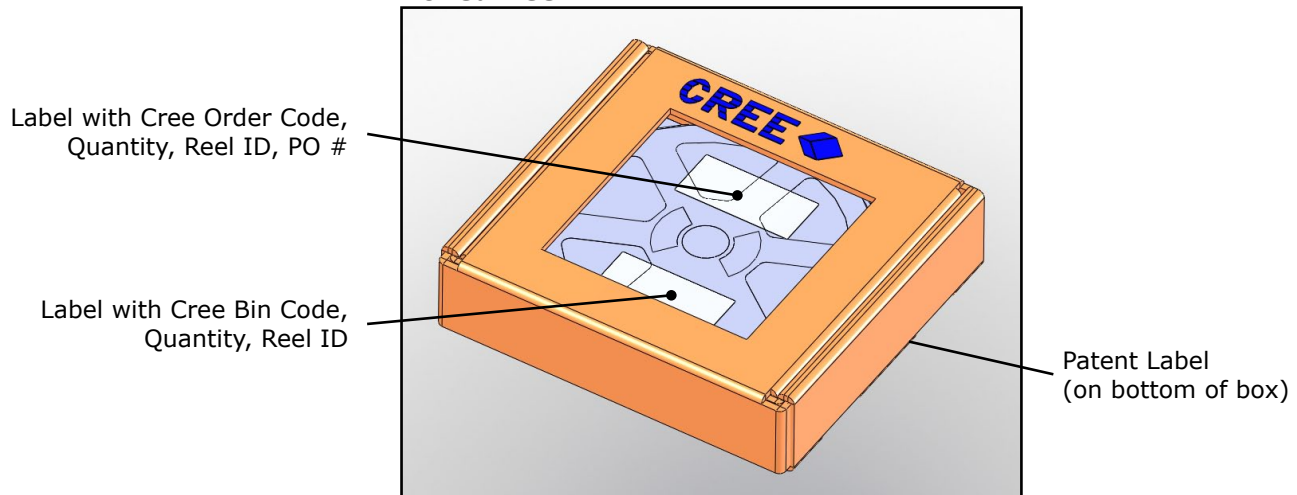
Dessicant
(inside bag)

Humidity Indicator Card
(inside bag)

Label with Cree Order Code,
Quantity, Reel ID, PO #

Label with Cree Bin
Code, Quantity, Reel ID

Boxed Reel



Label with Cree Order Code,
Quantity, Reel ID, PO #

Label with Cree Bin Code,
Quantity, Reel ID

Patent Label
(on bottom of box)