



Chipsmall Limited consists of a professional team with an average of over 10 year of expertise in the distribution of electronic components. Based in Hongkong, we have already established firm and mutual-benefit business relationships with customers from,Europe,America and south Asia,supplying obsolete and hard-to-find components to meet their specific needs.

With the principle of “Quality Parts,Customers Priority,Honest Operation,and Considerate Service”,our business mainly focus on the distribution of electronic components. Line cards we deal with include Microchip,ALPS,ROHM,Xilinx,Pulse,ON,Everlight and Freescale. Main products comprise IC,Modules,Potentiometer,IC Socket,Relay,Connector.Our parts cover such applications as commercial,industrial, and automotives areas.

We are looking forward to setting up business relationship with you and hope to provide you with the best service and solution. Let us make a better world for our industry!



Contact us

Tel: +86-755-8981 8866 Fax: +86-755-8427 6832

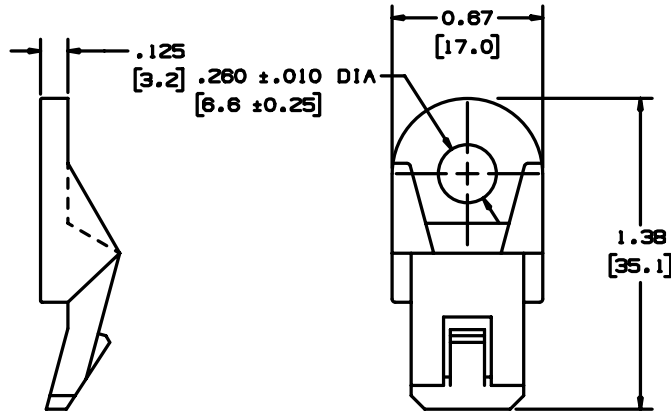
Email & Skype: info@chipsmall.com Web: www.chipsmall.com

Address: A1208, Overseas Decoration Building, #122 Zhenhua RD., Futian, Shenzhen, China



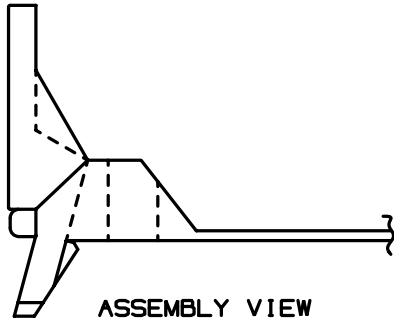
THIS COPY IS PROVIDED ON A RESTRICTED BASIS AND IS NOT TO BE USED IN ANY WAY DETRIMENTAL TO THE INTERESTS OF PANDUIT CORP.

PANDUIT PART NUMBER	FOR USE WITH THE FOLLOWING CABLE TIE CROSS-SECTIONS	RECOM'D FASTENER	WEIGHT lbs 100 (g) pcs
MCEH-S25	PLT 2EH, 5EH, 6EH 8EH, 10EH, 12EH PRT 2EH, 5EH, 6EH 8EH, 10EH, 12EH	1/4" (M6)	0.52 (235.9)



NOTES:

- SEE CURRENT PRICE SHEET FOR PART NUMBER SUFFIX DESIGNATION FOR PACKAGE SIZE.
- MATERIAL: NYLON 6/6
COLOR: BLACK



DIMENSIONS IN BRACKETS ARE METRIC [mm]

CAD FILENAME/LAYERS G00239KC_PB_MCEH_00

PANDUIT CORP.

TINLEY PARK, ILLINOIS

MOUNTING CLIP, MCEH-S25

UNLESS OTHERWISE SPECIFIED,
DIMENSIONAL TOLERANCES ARE:
(.X) ±0.05 (1.3) (.XXX) ±0.010 (0.25)
(.XX) ±0.02 (0.5) ANGLES ± 5°

UNLESS OTHERWISE SPECIFIED,
ALL DIMENSIONS ARE GIVEN
IN INCHES, THIRD ANGLE PROJECTION.

DRAWN BY JAD

MAT'L:

SCALE NONE

DATE 4/16/03

SEE NOTE 2

DRAWING NO.

G00239KC

DWG
SIZE
A

REV	DATE	BY	CHK	DESCRIPTION	ECN - R	CUST	SUP
R	4/16/03	JAD		INITIAL RELEASE TO REPLACE SS-6417	G00239KC	R	