



Chipsmall Limited consists of a professional team with an average of over 10 year of expertise in the distribution of electronic components. Based in Hongkong, we have already established firm and mutual-benefit business relationships with customers from,Europe,America and south Asia,supplying obsolete and hard-to-find components to meet their specific needs.

With the principle of "Quality Parts,Customers Priority,Honest Operation,and Considerate Service",our business mainly focus on the distribution of electronic components. Line cards we deal with include Microchip,ALPS,ROHM,Xilinx,Pulse,ON,Everlight and Freescale. Main products comprise IC,Modules,Potentiometer,IC Socket,Relay,Connector.Our parts cover such applications as commercial,industrial, and automotives areas.

We are looking forward to setting up business relationship with you and hope to provide you with the best service and solution. Let us make a better world for our industry!



## Contact us

Tel: +86-755-8981 8866 Fax: +86-755-8427 6832

Email & Skype: info@chipsmall.com Web: www.chipsmall.com

Address: A1208, Overseas Decoration Building, #122 Zhenhua RD., Futian, Shenzhen, China



## Micropower Voltage Supervisors

### Features:

- Ultra-Low Supply Current: 1.75  $\mu$ A (steady-state maximum)
- Precision Monitoring Options of:
  - 1.90V, 2.32V, 2.63V, 2.93V, 3.08V, 4.38V and 4.63V
- Resets Microcontroller in a Power-Loss Event
- $\overline{\text{RST}}$  Pin (active-low):
  - **MCP121**: Active-low, Open-drain
  - **MCP131**: Active-low, Open-drain with Internal Pull-up Resistor
  - **MCP102** and **MCP103**: Active-low, Push-pull
- Reset Delay Timer (120 ms delay, typical)
- Available in SOT-23, TO-92 and SC70 Packages
- Temperature Range:
  - Extended: -40°C to +125°C (except MCP1XX-195)
  - Industrial: -40°C to +85°C (**MCP1XX-195 only**)
- Pb-free Devices

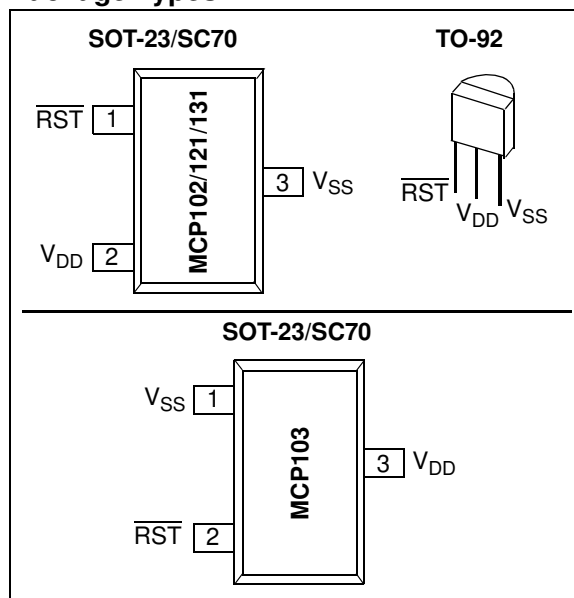
### Applications:

- Critical Microcontroller and Microprocessor Power-monitoring Applications
- Computers
- Intelligent Instruments
- Portable Battery-powered Equipment

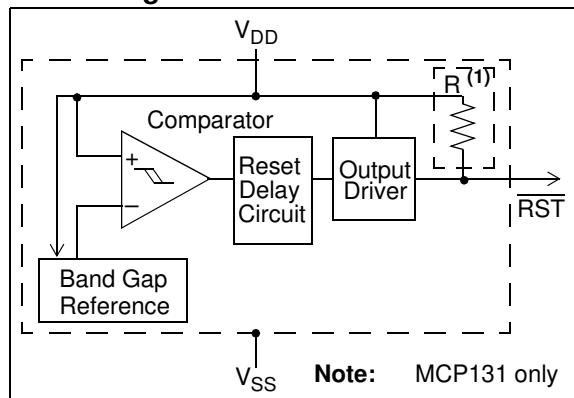
### General Description:

The MCP102/103/121/131 devices are voltage supervisor devices designed to keep a microcontroller in reset until the system voltage has reached and stabilized at the proper level for reliable system operation. [Table 1](#) shows the available features for these devices.

### Package Types



### Block Diagram



# MCP102/103/121/131

TABLE 1: DEVICE FEATURES

| Device | Output     |                            | Reset Delay (typ) | Package Pinout (Pin # 1, 2, 3)         | Comment                             |
|--------|------------|----------------------------|-------------------|--|-------------------------------------|
|        | Type       | Pull-up Resistor           |                   |  |                                     |
| MCP102 | Push-pull  | No                         | 120 ms            | $\overline{RST}$ , $V_{DD}$ , $V_{SS}$ |                                     |
| MCP103 | Push-pull  | No                         | 120 ms            | $V_{SS}$ , $\overline{RST}$ , $V_{DD}$ |                                     |
| MCP121 | Open-drain | External                   | 120 ms            | $\overline{RST}$ , $V_{DD}$ , $V_{SS}$ |                                     |
| MCP131 | Open-drain | Internal (~95 k $\Omega$ ) | 120 ms            | $\overline{RST}$ , $V_{DD}$ , $V_{SS}$ |                                     |
| MCP111 | Open-drain | External                   | No                | $V_{OUT}$ , $V_{SS}$ , $V_{DD}$        | See MCP111/112 Data Sheet (DS21889) |
| MCP112 | Push-Pull  | No                         | No                | $V_{OUT}$ , $V_{SS}$ , $V_{DD}$        | See MCP111/112 Data Sheet (DS21889) |

## 1.0 ELECTRICAL CHARACTERISTICS

### Absolute Maximum Ratings†

|   |                              |
|---|------------------------------|
| $V_{DD}$ .....  | 7.0V                         |
| Input current ( $V_{DD}$ ) .....  | 10 mA                        |
| Output current ( $\overline{RST}$ ) .....                               | 10 mA                        |
| Rated Rise Time of $V_{DD}$ .....                                       | 100V/ $\mu$ s                |
| All inputs and outputs (except $\overline{RST}$ ) w.r.t. $V_{SS}$ ..... | -0.6V to ( $V_{DD} + 1.0V$ ) |
| $\overline{RST}$ output w.r.t. $V_{SS}$ .....                           | -0.6V to 13.5V               |
| Storage temperature .....   | -65°C to + 150°C             |
| Ambient temperature with power applied .....                            | -40°C to + 125°C             |
| Maximum Junction temperature with power applied .....                   | 150°C                        |
| ESD protection on all pins .....  | <sup>3</sup> 2 kV            |

† **Notice:** Stresses above those listed under “Maximum Ratings” may cause permanent damage to the device. This is a stress rating only and functional operation of the device at those or any other conditions above those indicated in the operational listings of this specification is not implied. Exposure to maximum rating conditions for extended periods may affect device reliability.

### DC CHARACTERISTICS

**Electrical Specifications:** Unless otherwise indicated, all limits are specified for:  $V_{DD} = 1V$  to 5.5V,  $R_{PU} = 100\text{ k}\Omega$  (**MCP121** only),  $T_A = -40^\circ\text{C}$  to  $+125^\circ\text{C}$ .

| Parameters                                       | Sym.                                  | Min.     | Typ. | Max. | Units | Conditions   |   |
|--|---------------------------------------|----------|------|------|-------|--|---|
| Operating Voltage Range                          | $V_{DD}$                              | 1.0      | —    | 5.5  | V     |  |   |
| Specified $V_{DD}$ Value to $\overline{RST}$ low | $V_{DD}$                              | 1.0      | —    |      | V     | $I_{\overline{RST}} = 10\ \mu\text{A}$ , $V_{\overline{RST}} < 0.2V$ |   |
| Operating Current                                | <b>MCP102,<br/>MCP103,<br/>MCP121</b> | $I_{DD}$ | —    | < 1  | 1.75  | $\mu\text{A}$  | Reset Power-up Timer ( $t_{RPU}$ ) Inactive   |
|  |                                       |          | —    | —    | 20.0  | $\mu\text{A}$  | Reset Power-up Timer ( $t_{RPU}$ ) Active   |
|  | <b>MCP131</b>                         | $I_{DD}$ | —    | < 1  | 1.75  | $\mu\text{A}$  | $V_{DD} > V_{TRIP}$ and Reset Power-up Timer ( $t_{RPU}$ ) Inactive                   |
|  |                                       |          | —    | —    | 75    | $\mu\text{A}$  | $V_{DD} < V_{TRIP}$ and Reset Power-up Timer ( $t_{RPU}$ ) Inactive ( <b>Note 3</b> ) |
|  |                                       |          | —    | —    | 90    | $\mu\text{A}$  | Reset Power-up Timer ( $t_{RPU}$ ) Active ( <b>Note 4</b> )                           |

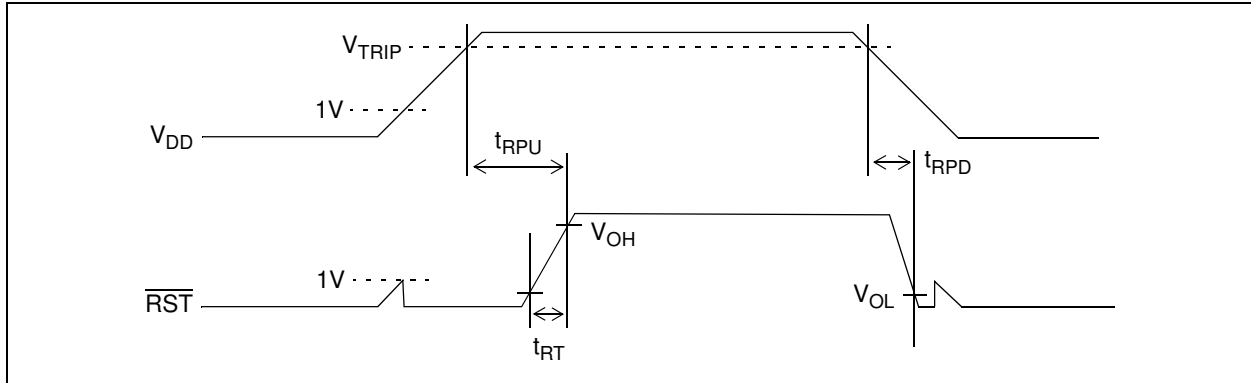
- Note 1:** Trip point is  $\pm 1.5\%$  from typical value.  
**Note 2:** Trip point is  $\pm 2.5\%$  from typical value.  
**Note 3:**  $\overline{RST}$  output is forced low. There is a current through the internal pull-up resistor.  
**Note 4:** This includes the current through the internal pull-up resistor and the reset power-up timer.  
**Note 5:** This specification allows this device to be used in PIC<sup>®</sup> microcontroller applications that require In-Circuit Serial Programming™ (ICSP™) (see device-specific programming specifications for voltage requirements). This specification DOES NOT allow a continuous high voltage to be present on the open-drain output pin ( $V_{OUT}$ ). The total time that the  $V_{OUT}$  pin can be above the maximum device operational voltage (5.5V) is 100s. Current into the  $V_{OUT}$  pin should be limited to 2 mA and it is recommended that the device operational temperature be maintained between 0°C to 70°C (+25°C preferred). For additional information, please refer to [Figure 2-33](#).  
**Note 6:** This parameter is established by characterization and not 100% tested.

# MCP102/103/121/131

## DC CHARACTERISTICS (CONTINUED)

| Electrical Specifications: Unless otherwise indicated, all limits are specified for: $V_{DD} = 1V$ to $5.5V$ , $R_{PU} = 100\text{ k}\Omega$ (MCP121 only), $T_A = -40^\circ\text{C}$ to $+125^\circ\text{C}$ . |                   |                       |       |                     |                                 |   |  |
|---|-------------------|-----------------------|-------|---------------------|---------------------------------|---|--|
| Parameters  | Sym.              | Min.                  | Typ.  | Max.                | Units                           | Conditions  |  |
| V <sub>DD</sub> Trip Point  | MCP1XX-195        | V <sub>TRIP</sub>     | 1.872 | 1.900               | 1.929                           | V   | T <sub>A</sub> = +25°C (Note 1)          |
|   |                   |                       | 1.853 | 1.900               | 1.948                           | V   | T <sub>A</sub> = -40°C to +85°C (Note 2) |
|   | MCP1XX-240        |                       | 2.285 | 2.320               | 2.355                           | V   | T <sub>A</sub> = +25°C (Note 1)          |
|   |                   |                       | 2.262 | 2.320               | 2.378                           | V   | Note 2                                   |
|   | MCP1XX-270        |                       | 2.591 | 2.630               | 2.670                           | V   | T <sub>A</sub> = +25°C (Note 1)          |
|   |                   |                       | 2.564 | 2.630               | 2.696                           | V   | Note 2                                   |
|   | MCP1XX-300        |                       | 2.886 | 2.930               | 2.974                           | V   | T <sub>A</sub> = +25°C (Note 1)          |
|   |                   |                       | 2.857 | 2.930               | 3.003                           | V   | Note 2                                   |
|   | MCP1XX-315        |                       | 3.034 | 3.080               | 3.126                           | V   | T <sub>A</sub> = +25°C (Note 1)          |
|   |                   |                       | 3.003 | 3.080               | 3.157                           | V   | Note 2                                   |
|   | MCP1XX-450        |                       | 4.314 | 4.380               | 4.446                           | V   | T <sub>A</sub> = +25°C (Note 1)          |
|   |                   |                       | 4.271 | 4.380               | 4.490                           | V   | Note 2                                   |
| MCP1XX-475  | 4.561             | 4.630                 | 4.700 | V                   | T <sub>A</sub> = +25°C (Note 1) |   |  |
|   | 4.514             | 4.630                 | 4.746 | V                   | Note 2                          |   |  |
| V <sub>DD</sub> Trip Point Tempco   | T <sub>TPCO</sub> | —                     | ±100  | —                   | ppm/°C                          |   |  |
| Threshold Hysteresis (min. = 1%, max = 6%)  | MCP1XX-195        | V <sub>HYS</sub>      | 0.019 | —                   | 0.114                           | V   | T <sub>A</sub> = +25°C                   |
|   | MCP1XX-240        |                       | 0.023 | —                   | 0.139                           | V   |  |
|   | MCP1XX-270        |                       | 0.026 | —                   | 0.158                           | V   |  |
|   | MCP1XX-300        |                       | 0.029 | —                   | 0.176                           | V   |  |
|   | MCP1XX-315        |                       | 0.031 | —                   | 0.185                           | V   |  |
|   | MCP1XX-450        |                       | 0.044 | —                   | 0.263                           | V   |  |
|   | MCP1XX-475        |                       | 0.046 | —                   | 0.278                           | V   |  |
| R <sub>ST</sub> Low-level Output Voltage  | V <sub>OL</sub>   | —                     | —     | 0.4                 | V                               | I <sub>OL</sub> = 500 μA, V <sub>DD</sub> = V <sub>TRIP(MIN)</sub>  |  |
| R <sub>ST</sub> High-level Output Voltage (MCP102 and MCP103 only)  | V <sub>OH</sub>   | V <sub>DD</sub> - 0.6 | —     | —                   | V                               | I <sub>OH</sub> = 1 mA; for MCP102/MCP103 only (push-pull output)   |  |
| Internal Pull-up Resistor (MCP131 only)   | R <sub>PU</sub>   | —                     | 95    | —                   | kΩ                              | V <sub>DD</sub> = 5.5V  |  |
| Open-drain High Voltage on Output (MCP121 only)   | V <sub>ODH</sub>  | —                     | —     | 13.5 <sup>(5)</sup> | V                               | V <sub>DD</sub> = 3.0V, Time voltage > 5.5V applied ≤ 100s, current into pin limited to 2 mA, 25°C operation recommended (Note 5, Note 6) |  |
| Open-drain Output Leakage Current (MCP121 only)   | I <sub>OD</sub>   | —                     | 0.1   | —                   | μA                              |   |  |

- Note**
- 1: Trip point is ±1.5% from typical value.
  - 2: Trip point is ±2.5% from typical value.
  - 3: R<sub>ST</sub> output is forced low. There is a current through the internal pull-up resistor.
  - 4: This includes the current through the internal pull-up resistor and the reset power-up timer.
  - 5: This specification allows this device to be used in PIC<sup>®</sup> microcontroller applications that require In-Circuit Serial Programming<sup>™</sup> (ICSP<sup>™</sup>) (see device-specific programming specifications for voltage requirements). This specification DOES NOT allow a continuous high voltage to be present on the open-drain output pin (V<sub>OUT</sub>). The total time that the V<sub>OUT</sub> pin can be above the maximum device operational voltage (5.5V) is 100s. Current into the V<sub>OUT</sub> pin should be limited to 2 mA and it is recommended that the device operational temperature be maintained between 0°C to 70°C (+25°C preferred). For additional information, please refer to [Figure 2-33](#).
  - 6: This parameter is established by characterization and not 100% tested.



**FIGURE 1-1:** Timing Diagram.

## AC CHARACTERISTICS

**Electrical Specifications:** Unless otherwise indicated, all limits are specified for:  $V_{DD} = 1V$  to  $5.5V$ ,  $R_{PU} = 100\text{ k}\Omega$  (MCP121 only),  $T_A = -40^\circ\text{C}$  to  $+125^\circ\text{C}$ .

| Parameters  | Sym.      | Min. | Typ. | Max. | Units         | Conditions   |
|---|-----------|------|------|------|---------------|--|
| $V_{DD}$ Detect to $\overline{RST}$ Inactive                                      | $t_{RPU}$ | 80   | 120  | 180  | ms            | Figure 1-1 and $C_L = 50\text{ pF}$  |
| $V_{DD}$ Detect to $\overline{RST}$ Active  | $t_{RPD}$ | —    | 130  | —    | $\mu\text{s}$ | $V_{DD}$ ramped from $V_{TRIP(MAX)} + 250\text{ mV}$ down to $V_{TRIP(MIN)} - 250\text{ mV}$ , per Figure 1-1, $C_L = 50\text{ pF}$ (Note 1) |
| $\overline{RST}$ Rise Time After $\overline{RST}$ Active (MCP102 and MCP103 only) | $t_{RT}$  | —    | 5    | —    | $\mu\text{s}$ | For $\overline{RST}$ 10% to 90% of final value per Figure 1-1, $C_L = 50\text{ pF}$ (Note 1)   |

**Note 1:** These parameters are for design guidance only and are not 100% tested.

## TEMPERATURE CHARACTERISTICS

**Electrical Specifications:** Unless otherwise noted, all limits are specified for:  $V_{DD} = 1V$  to  $5.5V$ ,  $R_{PU} = 100\text{ k}\Omega$  (MCP121 only),  $T_A = -40^\circ\text{C}$  to  $+125^\circ\text{C}$ .

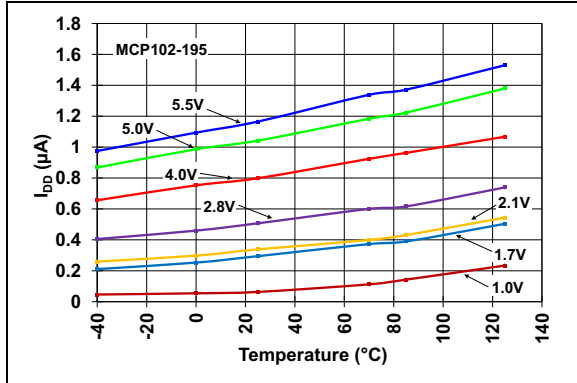
| Parameters                         | Sym.          | Min. | Typ. | Max. | Units              | Conditions        |
|------------------------------------|---------------|------|------|------|--------------------|-------------------|
| <b>Temperature Ranges</b>          |               |      |      |      |                    |                   |
| Specified Temperature Range        | $T_A$         | -40  | —    | +85  | $^\circ\text{C}$   | MCP1XX-195        |
| Specified Temperature Range        | $T_A$         | -40  | —    | +125 | $^\circ\text{C}$   | Except MCP1XX-195 |
| Maximum Junction Temperature       | $T_J$         | —    | —    | +150 | $^\circ\text{C}$   |                   |
| Storage Temperature Range          | $T_A$         | -65  | —    | +150 | $^\circ\text{C}$   |                   |
| <b>Package Thermal Resistances</b> |               |      |      |      |                    |                   |
| Thermal Resistance, 3L-SOT-23      | $\theta_{JA}$ | —    | 308  | —    | $^\circ\text{C/W}$ |                   |
| Thermal Resistance, 3L-SC70        | $\theta_{JA}$ | —    | 335  | —    | $^\circ\text{C/W}$ |                   |
| Thermal Resistance, 3L-TO-92       | $\theta_{JA}$ | —    | 146  | —    | $^\circ\text{C/W}$ |                   |

# MCP102/103/121/131

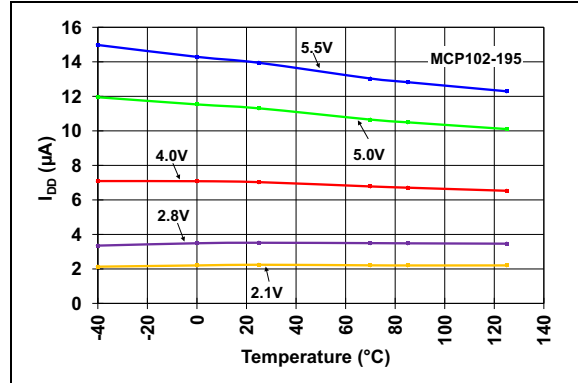
## 2.0 TYPICAL PERFORMANCE CURVES

**Note:** The graphs and tables provided following this note are a statistical summary based on a limited number of samples and are provided for informational purposes only. The performance characteristics listed herein are not tested or guaranteed. In some graphs or tables, the data presented may be outside the specified operating range (e.g., outside specified power supply range) and therefore outside the warranted range.

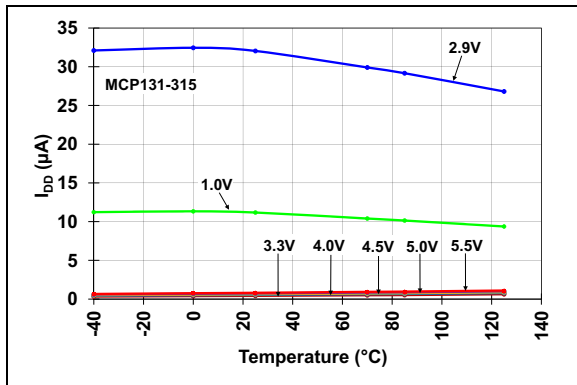
**Note:** Unless otherwise indicated, all limits are specified for:  $V_{DD} = 1V$  to  $5.5V$ ,  $R_{PU} = 100\text{ k}\Omega$  (MCP121 only; see Figure 4-1),  $T_A = -40^\circ\text{C}$  to  $+125^\circ\text{C}$ .



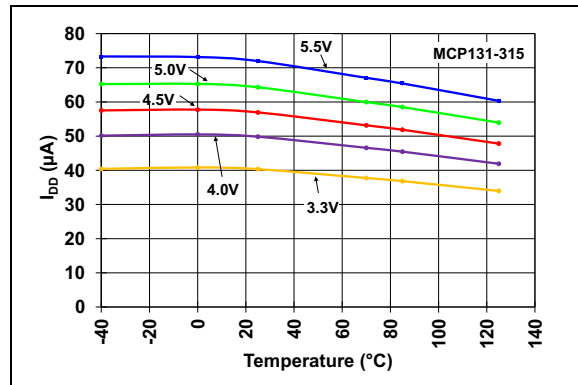
**FIGURE 2-1:**  $I_{DD}$  vs. Temperature (Reset Power-up Timer Inactive) (MCP102-195).



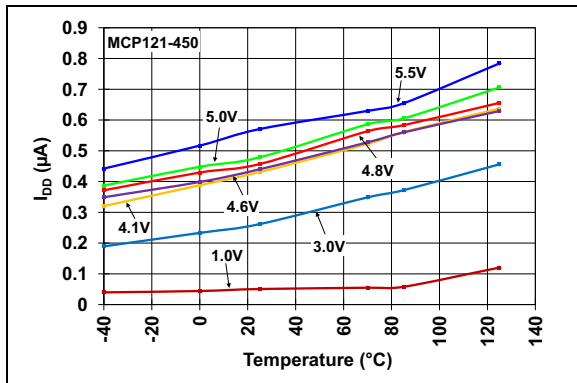
**FIGURE 2-4:**  $I_{DD}$  vs. Temperature (Reset Power-up Timer Active) (MCP102-195).



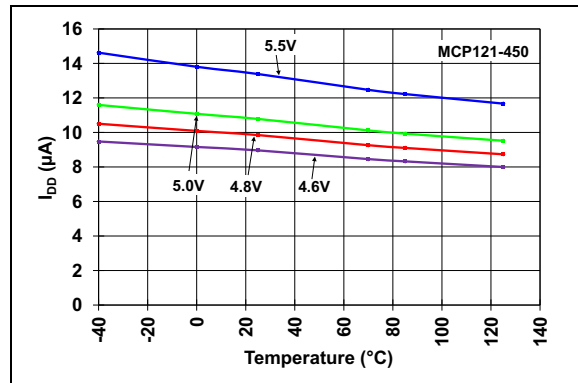
**FIGURE 2-2:**  $I_{DD}$  vs. Temperature (Reset Power-up Timer Inactive) (MCP131-315).



**FIGURE 2-5:**  $I_{DD}$  vs. Temperature (Reset Power-up Timer Active) (MCP131-315).



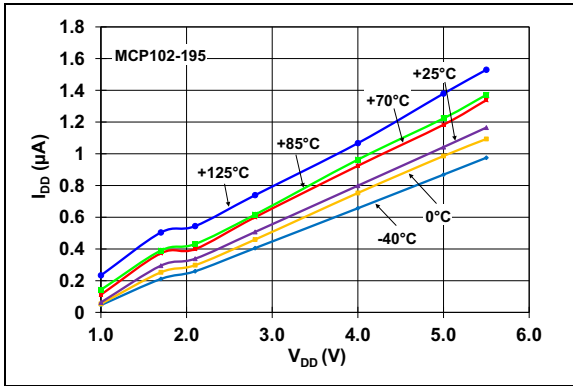
**FIGURE 2-3:**  $I_{DD}$  vs. Temperature (Reset Power-up Timer Inactive) (MCP121-450).



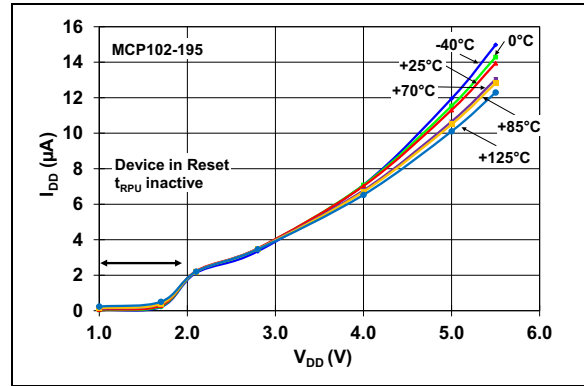
**FIGURE 2-6:**  $I_{DD}$  vs. Temperature (Reset Power-up Timer Active) (MCP121-450).

# MCP102/103/121/131

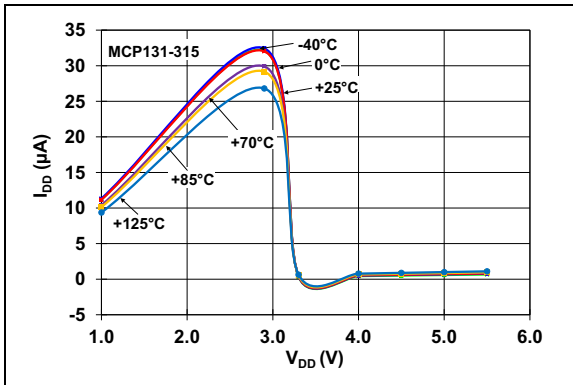
**Note:** Unless otherwise indicated, all limits are specified for:  $V_{DD} = 1V$  to  $5.5V$ ,  $R_{PU} = 100\text{ k}\Omega$  (MCP121 only; see Figure 4-1),  $T_A = -40^\circ\text{C}$  to  $+125^\circ\text{C}$ .



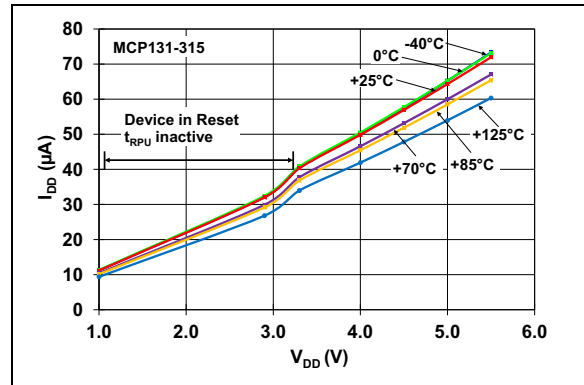
**FIGURE 2-7:**  $I_{DD}$  vs.  $V_{DD}$   
(Reset Power-up Timer Inactive) (MCP102-195).



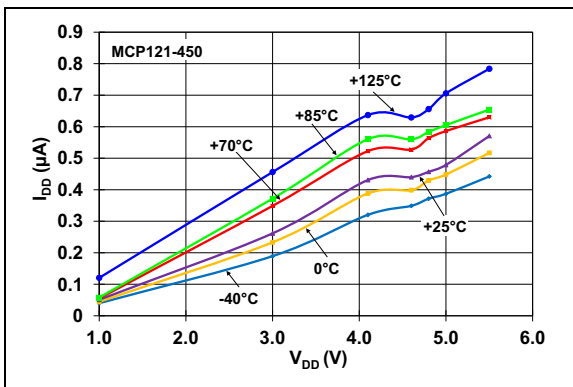
**FIGURE 2-10:**  $I_{DD}$  vs.  $V_{DD}$   
(Reset Power-up Timer Active) (MCP102-195).



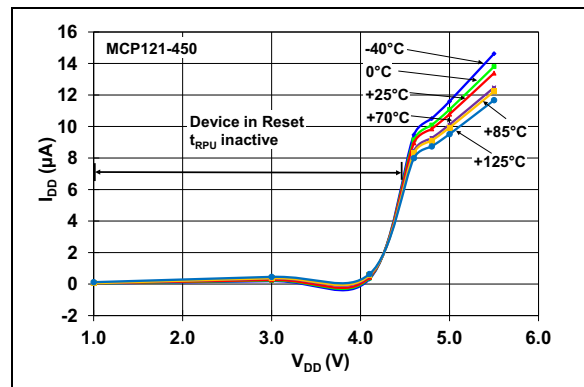
**FIGURE 2-8:**  $I_{DD}$  vs.  $V_{DD}$   
(Reset Power-up Timer Inactive) (MCP131-315).



**FIGURE 2-11:**  $I_{DD}$  vs.  $V_{DD}$   
(Reset Power-up Timer Active) (MCP131-315).



**FIGURE 2-9:**  $I_{DD}$  vs.  $V_{DD}$   
(Reset Power-up Timer Inactive) (MCP121-450).

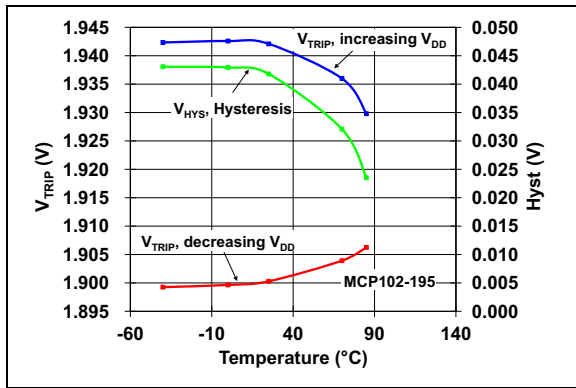


**FIGURE 2-12:**  $I_{DD}$  vs.  $V_{DD}$   
(Reset Power-up Timer Active) (MCP121-450).

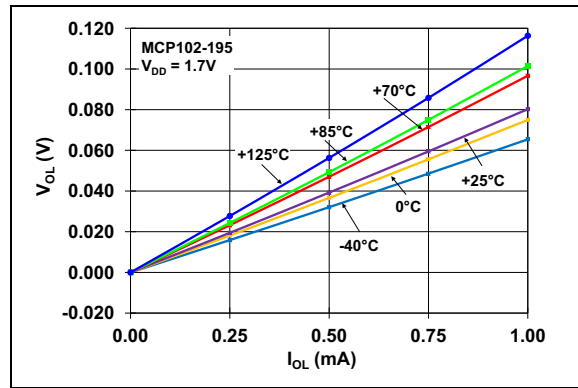


# MCP102/103/121/131

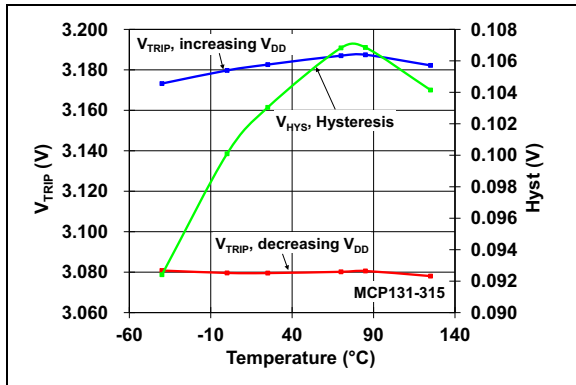
**Note:** Unless otherwise indicated, all limits are specified for:  $V_{DD} = 1V$  to  $5.5V$ ,  $R_{PU} = 100\text{ k}\Omega$  (MCP121; see Figure 4-1),  $T_A = -40^\circ\text{C}$  to  $+125^\circ\text{C}$ .



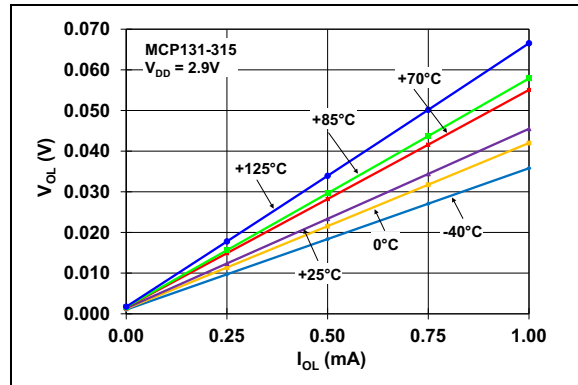
**FIGURE 2-13:**  $V_{TRIP}$  vs. Temperature vs. Hysteresis (MCP102-195).



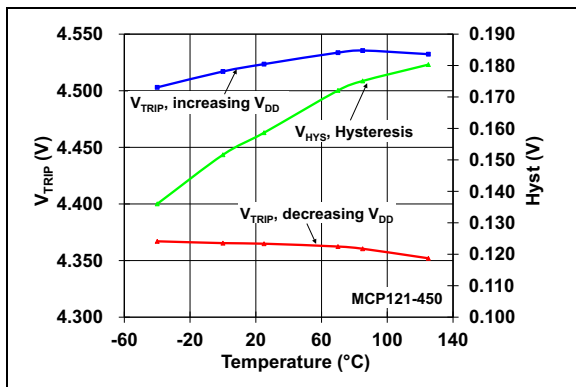
**FIGURE 2-16:**  $V_{OL}$  vs.  $I_{OL}$  (MCP102-195 @  $V_{DD} = 1.7V$ ).



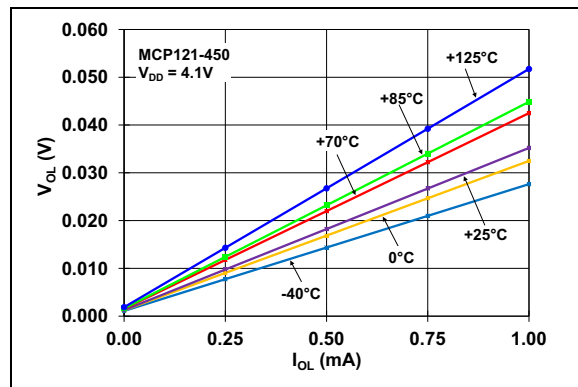
**FIGURE 2-14:**  $V_{TRIP}$  vs. Temperature vs. Hysteresis (MCP131-315).



**FIGURE 2-17:**  $V_{OL}$  vs.  $I_{OL}$  (MCP131-315 @  $V_{DD} = 2.9V$ ).



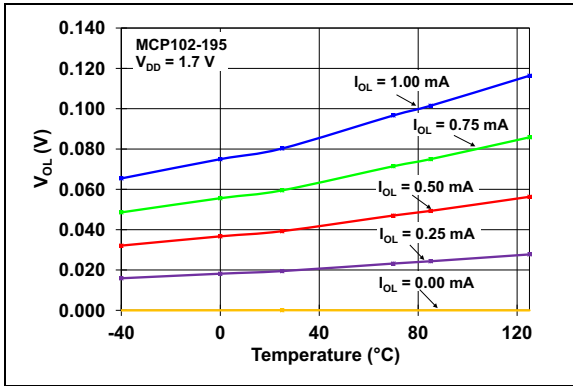
**FIGURE 2-15:**  $V_{TRIP}$  vs. Temperature vs. Hysteresis (MCP121-450).



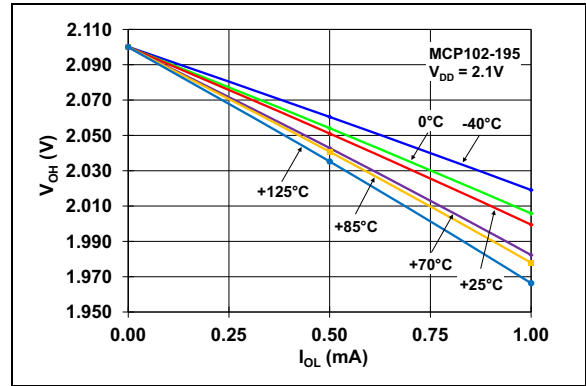
**FIGURE 2-18:**  $V_{OL}$  vs.  $I_{OL}$  (MCP121-450 @  $V_{DD} = 4.1V$ ).

# MCP102/103/121/131

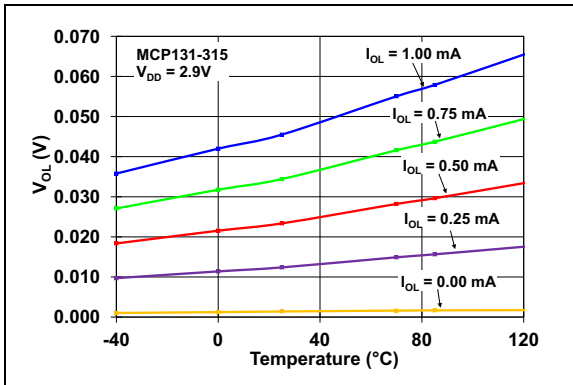
**Note:** Unless otherwise indicated, all limits are specified for:  $V_{DD} = 1V$  to  $5.5V$ ,  $R_{PU} = 100\text{ k}\Omega$  (MCP121 only; see Figure 4-1),  $T_A = -40^\circ\text{C}$  to  $+125^\circ\text{C}$ .



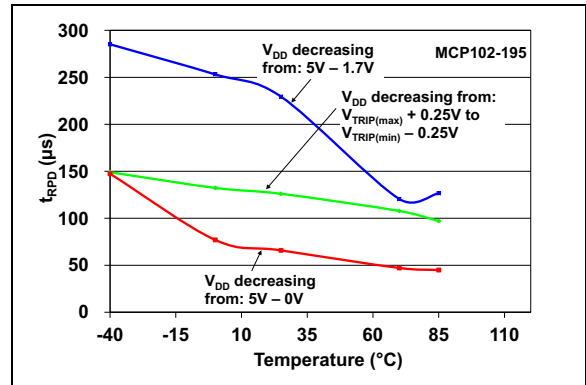
**FIGURE 2-19:**  $V_{OL}$  vs. Temperature (MCP102-195 @  $V_{DD} = 1.7V$ ).



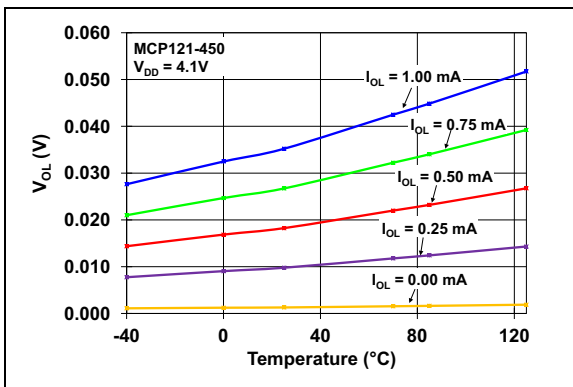
**FIGURE 2-22:**  $V_{OH}$  vs.  $I_{OL}$  (MCP102-195 @  $V_{DD} = 2.1V$ ).



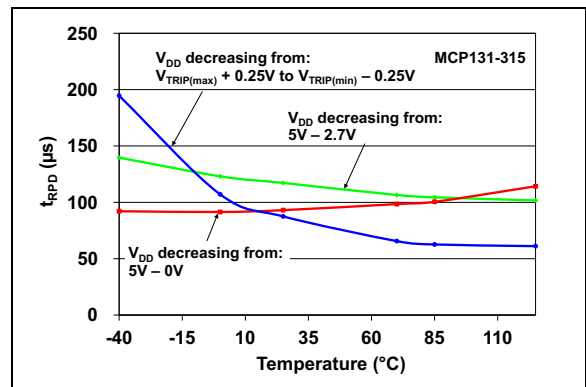
**FIGURE 2-20:**  $V_{OL}$  vs. Temperature (MCP131-315 @  $V_{DD} = 2.9V$ ).



**FIGURE 2-23:**  $t_{RPD}$  vs. Temperature (MCP102-195).



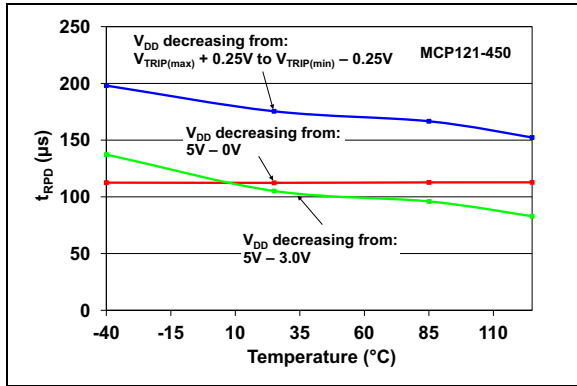
**FIGURE 2-21:**  $V_{OL}$  vs. Temperature (MCP121-450 @  $V_{DD} = 4.1V$ ).



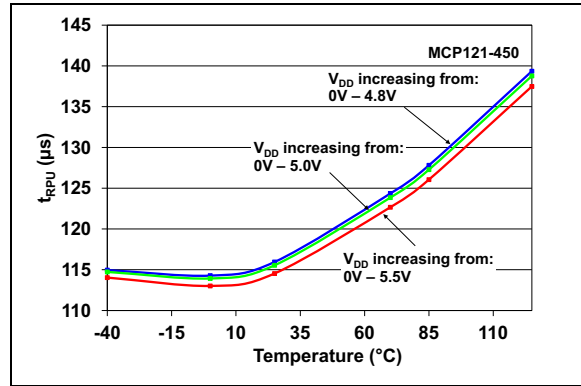
**FIGURE 2-24:**  $t_{RPD}$  vs. Temperature (MCP131-315).

# MCP102/103/121/131

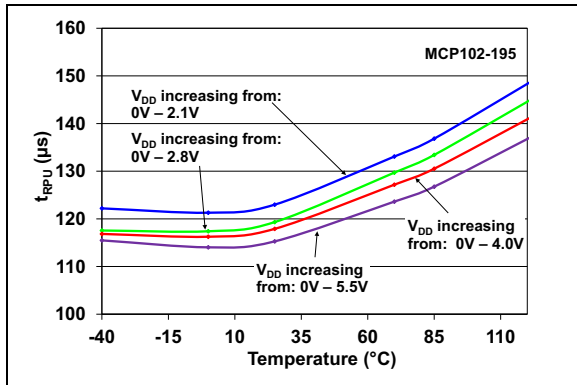
**Note:** Unless otherwise indicated, all limits are specified for:  $V_{DD} = 1V$  to  $5.5V$ ,  $R_{PU} = 100\text{ k}\Omega$  (MCP121 only; see Figure 4-1),  $T_A = -40^\circ\text{C}$  to  $+125^\circ\text{C}$ .



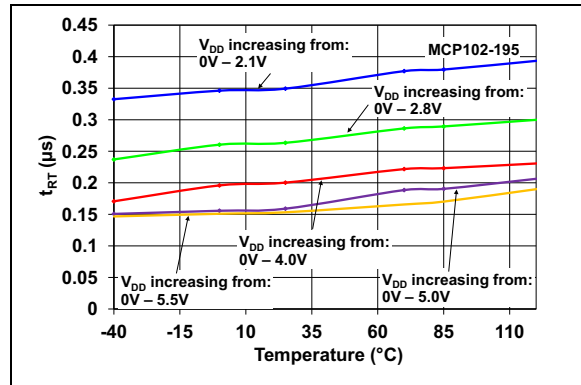
**FIGURE 2-25:**  $t_{RPD}$  vs. Temperature (MCP121-450).



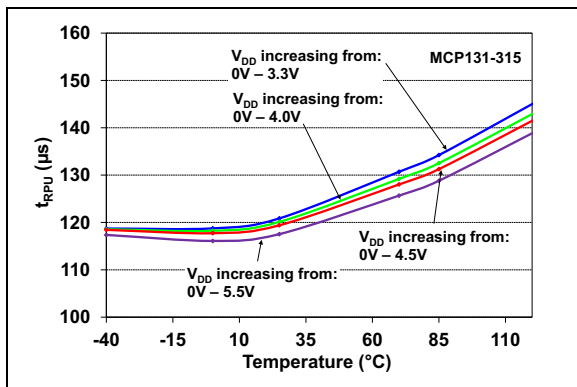
**FIGURE 2-28:**  $t_{RPU}$  vs. Temperature (MCP121-450).



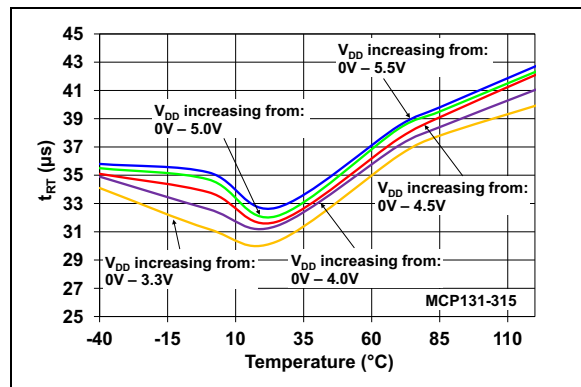
**FIGURE 2-26:**  $t_{RPU}$  vs. Temperature (MCP102-195).



**FIGURE 2-29:**  $t_{RT}$  vs. Temperature (MCP102-195).

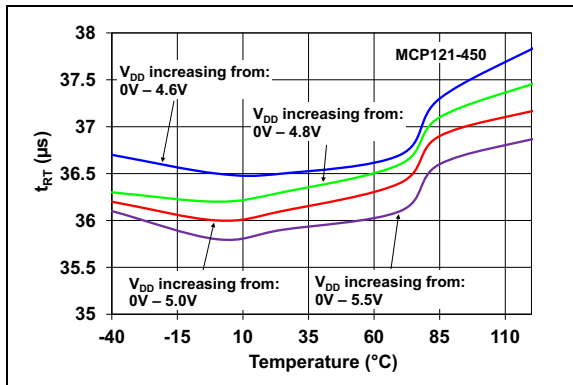


**FIGURE 2-27:**  $t_{RPU}$  vs. Temperature (MCP131-315).

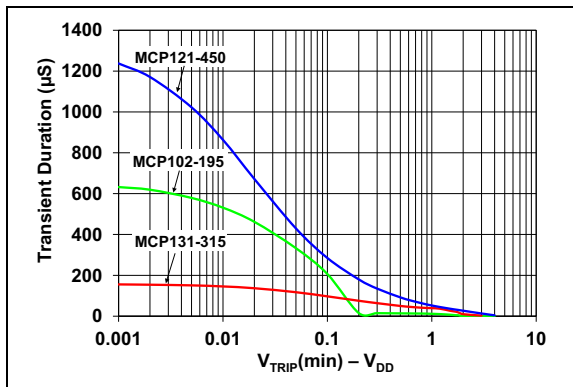


**FIGURE 2-30:**  $t_{RT}$  vs. Temperature (MCP131-315).

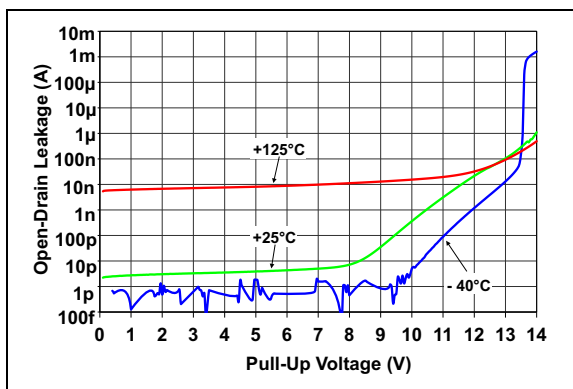
**Note:** Unless otherwise indicated, all limits are specified for:  $V_{DD} = 1V$  to  $5.5V$ ,  $R_{PU} = 100\text{ k}\Omega$  (**MCP121** only; see [Figure 4-1](#)),  $T_A = -40^\circ\text{C}$  to  $+125^\circ\text{C}$ .



**FIGURE 2-31:**  $t_{RT}$  vs. Temperature (MCP121-450).



**FIGURE 2-32:** Transient Duration vs.  $V_{TRIP(min)} - V_{DD}$ .



**FIGURE 2-33:** Open-Drain Leakage Current vs. Voltage Applied to  $V_{OUT}$  Pin (MCP121-195).

# MCP102/103/121/131

## 3.0 PIN DESCRIPTION

The descriptions of the pins are listed in [Table 3-1](#).

**TABLE 3-1: PIN FUNCTION TABLE**

| Pin No.                    |        | Symbol                  | Function  |
|----------------------------|--------|-------------------------|---|
| MCP102<br>MCP121<br>MCP131 | MCP103 |                         |   |
| 1                          | 2      | $\overline{\text{RST}}$ | Output State<br>$V_{\text{DD}}$ Falling:<br>$H = V_{\text{DD}} > V_{\text{TRIP}}$<br>$L = V_{\text{DD}} < V_{\text{TRIP}}$<br><br>$V_{\text{DD}}$ Rising:<br>$H = V_{\text{DD}} > V_{\text{TRIP}} + V_{\text{HYS}}$<br>$L = V_{\text{DD}} < V_{\text{TRIP}} + V_{\text{HYS}}$ |
| 2                          | 3      | $V_{\text{DD}}$         | Positive power supply   |
| 3                          | 1      | $V_{\text{SS}}$         | Ground reference  |

## 4.0 APPLICATION INFORMATION

For many of today's microcontroller applications, care must be taken to prevent low-power conditions that can cause many different system problems. The most common causes are brown-out conditions, where the system supply drops below the operating level momentarily. The second most common cause is when a slowly decaying power supply causes the microcontroller to begin executing instructions without sufficient voltage to sustain volatile memory (RAM), thus producing indeterminate results. Figure 4-1 shows a typical application circuit.

MCP102/103/121/131 are voltage supervisor devices designed to keep a microcontroller in reset until the system voltage has reached and stabilized at the proper level for reliable system operation. These devices also operate as protection from brown-out conditions.

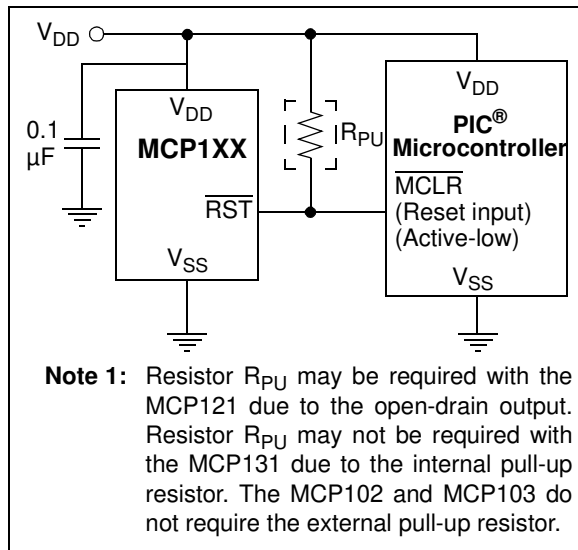


FIGURE 4-1: Typical Application Circuit.

## 4.1 $\overline{RST}$ Operation

The  $\overline{RST}$  output pin operation determines how the device can be used and indicates when the system should be forced into reset. To accomplish this, an internal voltage reference is used to set the voltage trip point ( $V_{TRIP}$ ). Additionally, there is a hysteresis on this trip point.

When the falling edge of  $V_{DD}$  crosses this voltage threshold, the reset power-down timer ( $t_{RPD}$ ) starts. When this delay timer times out, the  $\overline{RST}$  pin is forced low.

When the rising edge of  $V_{DD}$  crosses this voltage threshold, the reset power-up timer ( $t_{RPU}$ ) starts. When this delay timer times out, the  $\overline{RST}$  pin is forced high,  $t_{RPU}$  is active and there is additional system current.

The actual voltage trip point ( $V_{TRIPAC}$ ) will be between the minimum trip point ( $V_{TRIPMIN}$ ) and the maximum trip point ( $V_{TRIPMAX}$ ). The hysteresis on this trip point and the delay timer ( $t_{RPU}$ ) are to remove any "jitter" that would occur on the  $\overline{RST}$  pin when the device  $V_{DD}$  is at the trip point.

Figure 4-2 shows the waveform of the  $\overline{RST}$  pin as determined by the  $V_{DD}$  voltage, while Table 4-1 shows the state of the  $\overline{RST}$  pin. The  $V_{TRIP}$  specification is for falling  $V_{DD}$  voltages. When the  $V_{DD}$  voltage is rising, the  $\overline{RST}$  will not be driven high until  $V_{DD}$  is at  $V_{TRIP} + V_{HYS}$ . Once  $V_{DD}$  has crossed the voltage trip point, there is also a minimal delay time ( $t_{RPD}$ ) before the  $\overline{RST}$  pin is driven low.

TABLE 4-1:  $\overline{RST}$  PIN STATES

| Device | State of $\overline{RST}$ Pin when: |                               | Output Driver  |
|--------|-------------------------------------|-------------------------------|----------------|
|        | $V_{DD} < V_{TRIP}$                 | $V_{DD} > V_{TRIP} + V_{HYS}$ |                |
| MCP102 | L                                   | H                             | Push-pull      |
| MCP103 | L                                   | H                             | Push-pull      |
| MCP121 | L                                   | H (1)                         | Open-drain (1) |
| MCP131 | L                                   | H (2)                         | Open-drain (2) |

**Note 1:** Requires external pull-up resistor

**2:** Has internal pull-up resistor

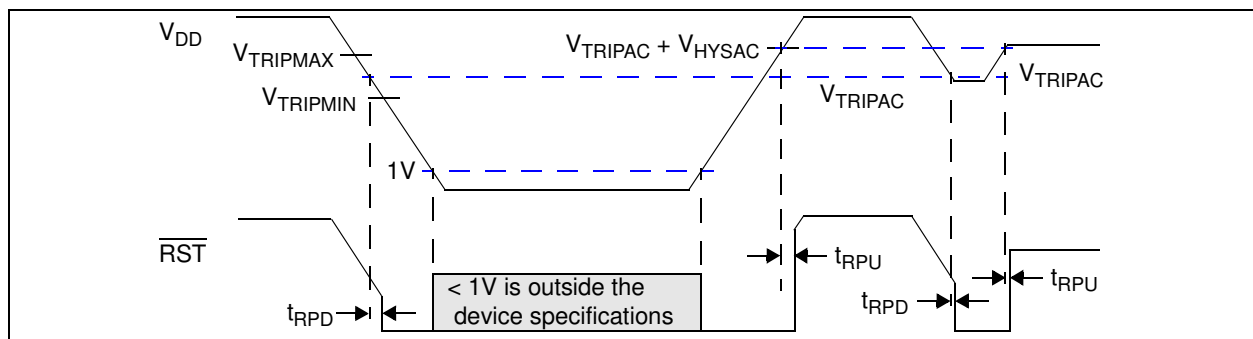


FIGURE 4-2:  $\overline{RST}$  Operation as Determined by the  $V_{TRIP}$  and  $V_{HYS}$ .

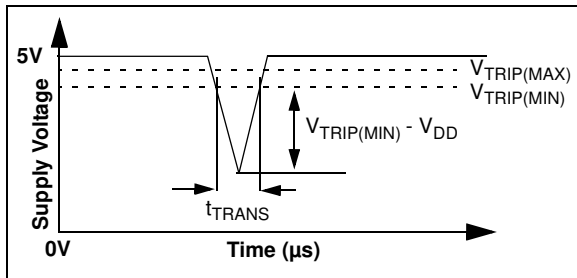
# MCP102/103/121/131

## 4.2 Negative Going $V_{DD}$ Transients

The minimum pulse width (time) required to cause a reset may be an important criterion in the implementation of a Power-on Reset (POR) circuit. This time is referred to as transient duration, defined as the amount of time needed for these supervisory devices to respond to a drop in  $V_{DD}$ . The transient duration time is dependent on the magnitude of  $V_{TRIP} - V_{DD}$ . Generally speaking, the transient duration decreases with increases in  $V_{TRIP} - V_{DD}$ .

Figure 4-3 shows a typical transient duration versus reset comparator overdrive, for which the MCP102/103/121/131 will not generate a reset pulse. It shows that the farther below the trip point of the transient pulse goes, the shorter the duration of the pulse required to cause a reset gets. Figure 2-32 shows the transient response characteristics for the MCP102/103/121/131.

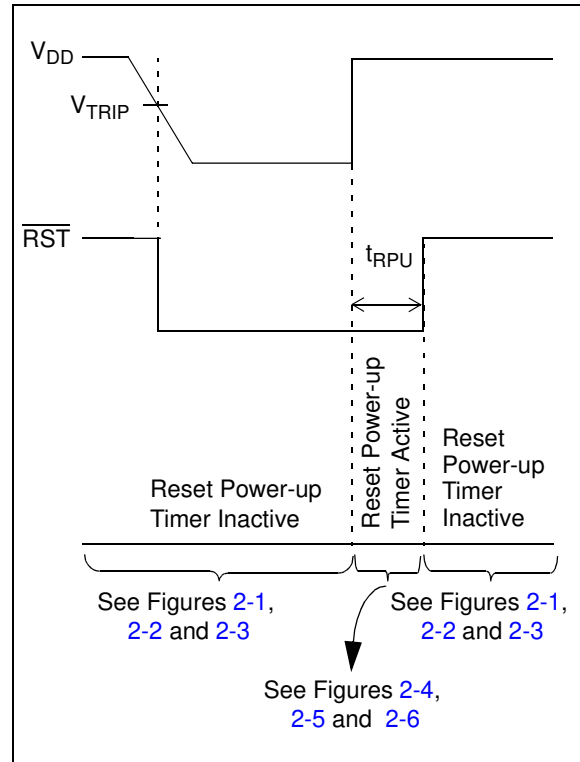
A 0.1  $\mu\text{F}$  bypass capacitor, mounted as close as possible to the  $V_{DD}$  pin, provides additional transient immunity (refer to Figure 4-1).



**FIGURE 4-3:** Example of Typical Transient Duration Waveform.

## 4.3 Reset Power-up Timer ( $t_{RPU}$ )

Figure 4-4 illustrates the device's current states. While the system is powering down, the device has a low current. This current is dependent on the device  $V_{DD}$  and trip point. When the device  $V_{DD}$  rises through the voltage trip point ( $V_{TRIP}$ ), an internal timer starts. This timer consumes additional current until the  $\overline{\text{RST}}$  pin is driven (or released) high. This time is known as the Reset Power-up Time ( $t_{RPU}$ ). Figure 4-4 shows when  $t_{RPU}$  is active (device consuming additional current).



**FIGURE 4-4:** Reset Power-up Timer Waveform.

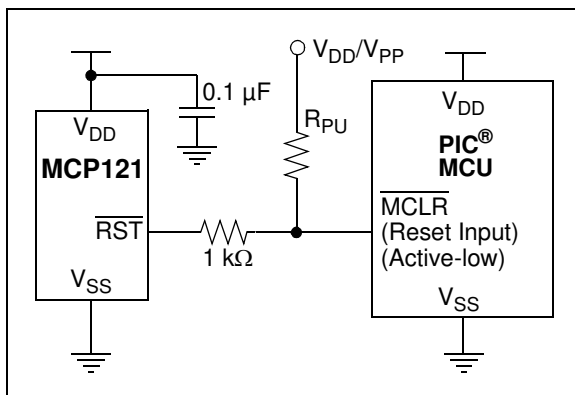
### 4.3.1 EFFECT OF TEMPERATURE ON RESET POWER-UP TIMER ( $T_{RPU}$ )

The Reset Power-up timer time-out period ( $t_{RPU}$ ) determines how long the device remains in the reset condition. This is affected by both  $V_{DD}$  and temperature. Typical responses for different  $V_{DD}$  values and temperatures are shown in Figures 2-26, 2-27 and 2-28.

## 4.4 Usage in PIC<sup>®</sup> Microcontroller, ICSP<sup>™</sup> Applications (MCP121 only)

Figure 4-5 shows the typical application circuit for using the MCP121 for voltage supervision function when the PIC microcontroller will be programmed via the ICSP feature. Additional information is available in TB087, "Using Voltage Supervisors with PIC<sup>®</sup> Microcontroller Systems which Implement In-Circuit Serial Programming<sup>™</sup>", DS91087.

**Note:** It is recommended that the current into the RST pin be current limited by a 1 k $\Omega$  resistor.



**FIGURE 4-5:** Typical Application Circuit for PIC<sup>®</sup> Microcontroller with the ICSP<sup>™</sup> Feature.

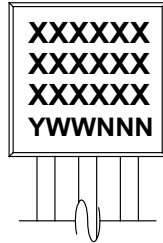


# MCP102/103/121/131

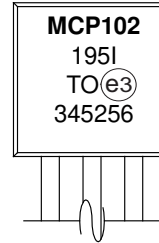
## 5.0 PACKAGING INFORMATION

### 5.1 Package Marking Information

3-Lead TO-92

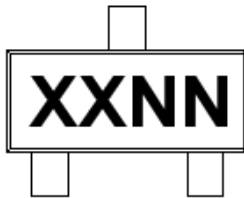


Example



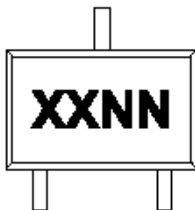
Example

3-Lead SOT-23



| Part Number     | MCP1xx = |        |        |        |
|-----------------|----------|--------|--------|--------|
|                 | MCP102   | MCP103 | MCP121 | MCP131 |
| MCP1xxT-195I/TT | JGNN     | TGNN   | LGNN   | KGNN   |
| MCP1xxT-240ETT  | JHNN     | THNN   | LHNN   | KHNN   |
| MCP1xxT-270E/TT | JJNN     | TJNN   | LJNN   | KJNN   |
| MCP1xxT-300E/TT | JKNN     | TKNN   | LKNN   | KKNN   |
| MCP1xxT-315E/TT | JLNN     | TLNN   | LLNN   | KLNN   |
| MCP1xxT-450E/TT | JMNN     | TMNN   | LMNN   | KMNN   |
| MCP1xxT-475E/TT | JPNN     | TPNN   | LPNN   | KPNN   |

3-Lead SC70



Example

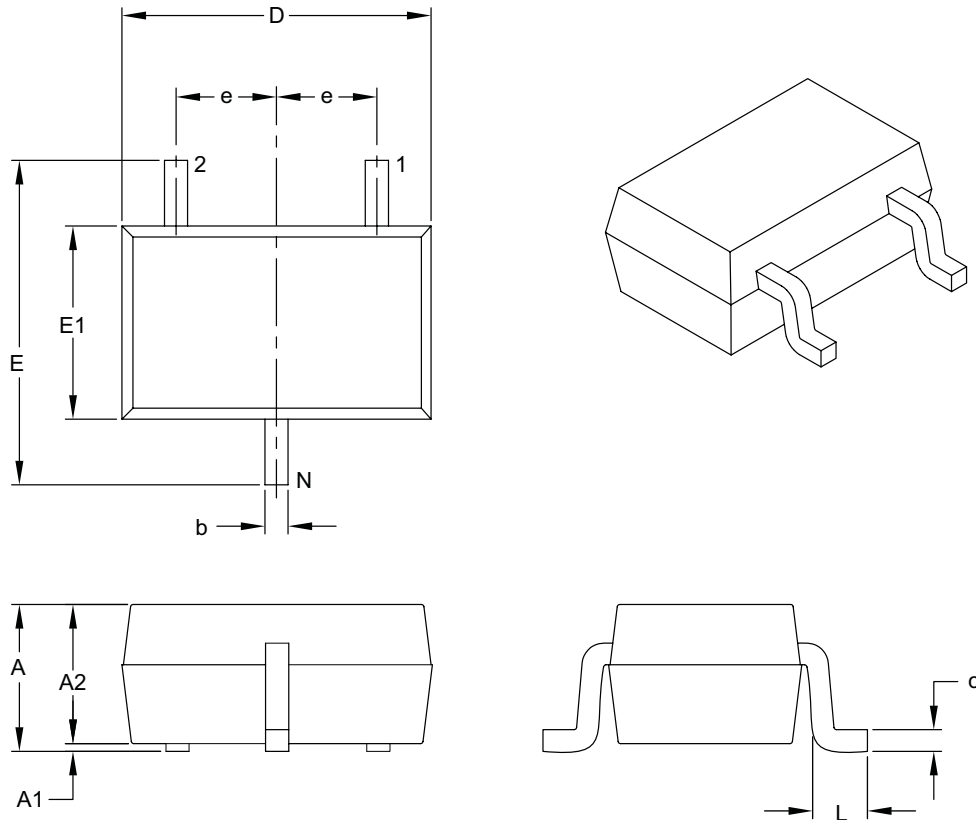
| Part Number     | MCP1xx = |        |        |        |
|-----------------|----------|--------|--------|--------|
|                 | MCP102   | MCP103 | MCP121 | MCP131 |
| MCP1xxT-195I/LB | BGNN     | FGNN   | DGNN   | CGNN   |
| MCP1xxT-240E/LB | BHNN     | FHNN   | DHNN   | CHNN   |
| MCP1xxT-270E/LB | BJNN     | FJNN   | DJNN   | CJNN   |
| MCP1xxT-300E/LB | BKNN     | FKNN   | DKNN   | CKNN   |
| MCP1xxT-315E/LB | BLNN     | FLNN   | DLNN   | CLNN   |
| MCP1xxT-450E/LB | BMNN     | FMNN   | DMNN   | CMNN   |
| MCP1xxT-475E/LB | BPNN     | FPNN   | DPNN   | CPNN   |

|                |        |  |
|----------------|--------|--|
| <b>Legend:</b> | XX...X | Customer-specific information  |
|                | Y      | Year code (last digit of calendar year)  |
|                | WW     | Week code (week of January 1 is week '01')   |
|                | NNN    | Alphanumeric traceability code   |
|                | (e3)   | Pb-free JEDEC designator for Matte Tin (Sn)  |
|                | *      | This package is Pb-free. The Pb-free JEDEC designator (e3) can be found on the outer packaging for this package. |

**Note:** In the event the full Microchip part number cannot be marked on one line, it will be carried over to the next line, thus limiting the number of available characters for customer-specific information.

## 3-Lead Plastic Small Outline Transistor (LB) [SC70]

**Note:** For the most current package drawings, please see the Microchip Packaging Specification located at <http://www.microchip.com/packaging>



| Dimension Limits         | Units | MILLIMETERS |      |      |
|--------------------------|-------|-------------|------|------|
|                          |       | MIN         | NOM  | MAX  |
| Number of Pins           | N     | 3           |      |      |
| Pitch                    | e     | 0.65 BSC    |      |      |
| Overall Height           | A     | 0.80        | –    | 1.10 |
| Molded Package Thickness | A2    | 0.80        | –    | 1.00 |
| Standoff                 | A1    | 0.00        | –    | 0.10 |
| Overall Width            | E     | 1.80        | 2.10 | 2.40 |
| Molded Package Width     | E1    | 1.15        | 1.25 | 1.35 |
| Overall Length           | D     | 1.80        | 2.00 | 2.25 |
| Foot Length              | L     | 0.10        | 0.20 | 0.46 |
| Lead Thickness           | c     | 0.08        | –    | 0.26 |
| Lead Width               | b     | 0.15        | –    | 0.40 |

**Notes:**

- Dimensions D and E1 do not include mold flash or protrusions. Mold flash or protrusions shall not exceed 0.127 mm per side.
- Dimensioning and tolerancing per ASME Y14.5M.

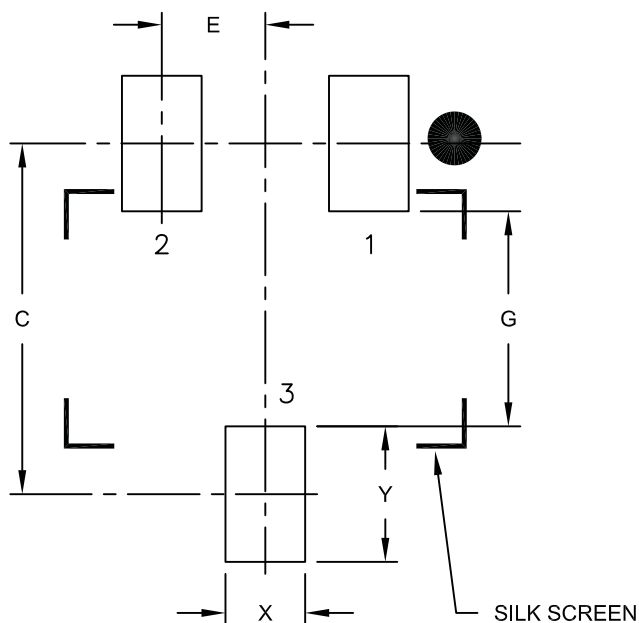
BSC: Basic Dimension. Theoretically exact value shown without tolerances.

Microchip Technology Drawing C04-060B

# MCP102/103/121/131

## 3-Lead Plastic Small Outline Transistor (LB) [SC70]

**Note:** For the most current package drawings, please see the Microchip Packaging Specification located at <http://www.microchip.com/packaging>



RECOMMENDED LAND PATTERN

| Dimension Limits      | Units | MILLIMETERS |      |      |
|-----------------------|-------|-------------|------|------|
|                       |       | MIN         | NOM  | MAX  |
| Contact Pitch         | E     | 0.65 BSC    |      |      |
| Contact Pad Spacing   | C     |             | 2.20 |      |
| Contact Pad Width     | X     |             |      | 0.50 |
| Contact Pad Length    | Y     |             |      | 0.95 |
| Distance Between Pads | G     | 1.25        |      |      |

**Notes:**

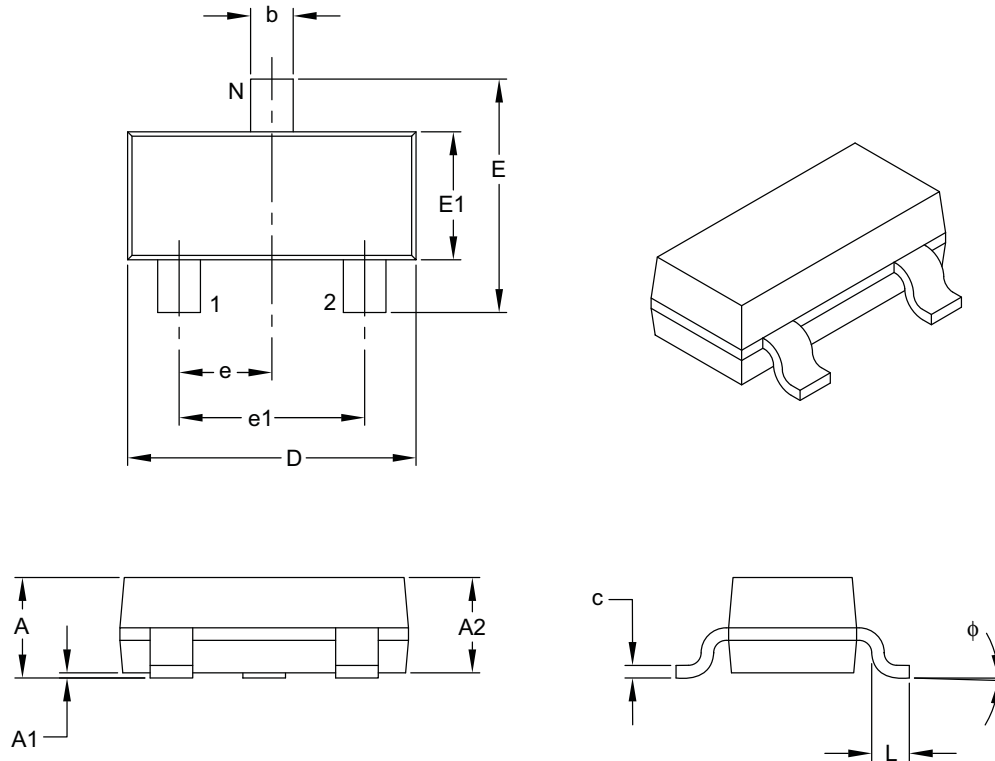
1. Dimensioning and tolerancing per ASME Y14.5M

BSC: Basic Dimension. Theoretically exact value shown without tolerances.

Microchip Technology Drawing No. C04-2060A

## 3-Lead Plastic Small Outline Transistor (TT) [SOT-23]

**Note:** For the most current package drawings, please see the Microchip Packaging Specification located at <http://www.microchip.com/packaging>



| Dimension Limits         | Units  | MILLIMETERS |      |      |
|--------------------------|--------|-------------|------|------|
|                          |        | MIN         | NOM  | MAX  |
| Number of Pins           | N      | 3           |      |      |
| Lead Pitch               | e      | 0.95 BSC    |      |      |
| Outside Lead Pitch       | e1     | 1.90 BSC    |      |      |
| Overall Height           | A      | 0.89        | –    | 1.12 |
| Molded Package Thickness | A2     | 0.79        | 0.95 | 1.02 |
| Standoff                 | A1     | 0.01        | –    | 0.10 |
| Overall Width            | E      | 2.10        | –    | 2.64 |
| Molded Package Width     | E1     | 1.16        | 1.30 | 1.40 |
| Overall Length           | D      | 2.67        | 2.90 | 3.05 |
| Foot Length              | L      | 0.13        | 0.50 | 0.60 |
| Foot Angle               | $\phi$ | 0°          | –    | 10°  |
| Lead Thickness           | c      | 0.08        | –    | 0.20 |
| Lead Width               | b      | 0.30        | –    | 0.54 |

**Notes:**

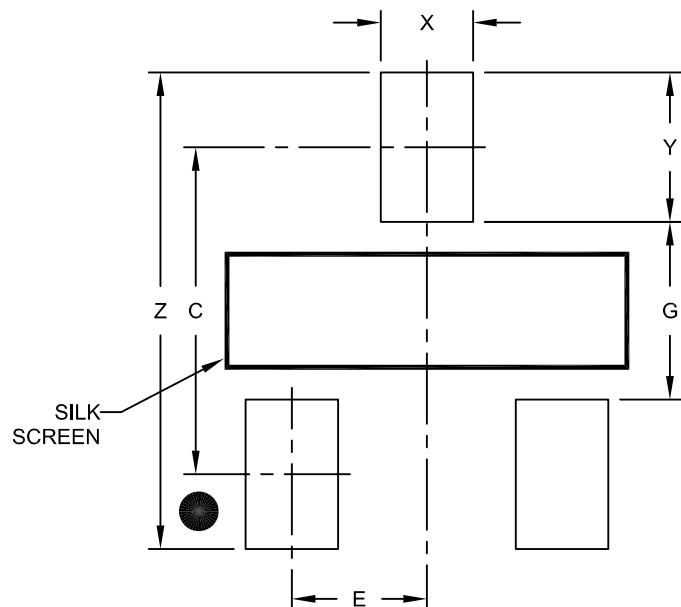
- Dimensions D and E1 do not include mold flash or protrusions. Mold flash or protrusions shall not exceed 0.25 mm per side.
- Dimensioning and tolerancing per ASME Y14.5M.  
BSC: Basic Dimension. Theoretically exact value shown without tolerances.

Microchip Technology Drawing C04-104B

# MCP102/103/121/131

## 3-Lead Plastic Small Outline Transistor (TT) [SOT-23]

**Note:** For the most current package drawings, please see the Microchip Packaging Specification located at <http://www.microchip.com/packaging>



RECOMMENDED LAND PATTERN

| Dimension Limits        | Units | MILLIMETERS |      |      |
|-------------------------|-------|-------------|------|------|
|                         |       | MIN         | NOM  | MAX  |
| Contact Pitch           | E     | 0.95 BSC    |      |      |
| Contact Pad Spacing     | C     |             | 2.30 |      |
| Contact Pad Width (X3)  | X     |             |      | 0.65 |
| Contact Pad Length (X3) | Y     |             |      | 1.05 |
| Distance Between Pads   | G     | 1.25        |      |      |
| Overall Width           | Z     |             |      | 3.35 |

**Notes:**

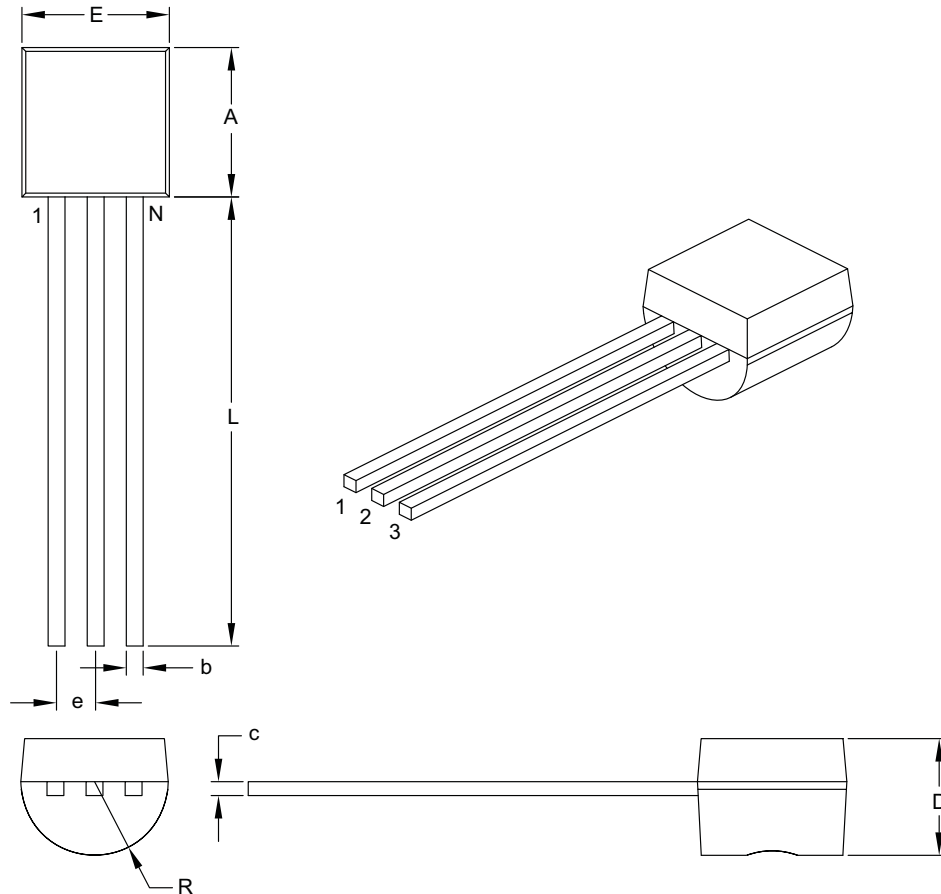
1. Dimensioning and tolerancing per ASME Y14.5M

BSC: Basic Dimension. Theoretically exact value shown without tolerances.

Microchip Technology Drawing No. C04-2104A

## 3-Lead Plastic Transistor Outline (TO) [TO-92]

**Note:** For the most current package drawings, please see the Microchip Packaging Specification located at <http://www.microchip.com/packaging>



| Dimension Limits       | Units | INCHES   |      |
|------------------------|-------|----------|------|
|                        |       | MIN      | MAX  |
| Number of Pins         | N     | 3        |      |
| Pitch                  | e     | .050 BSC |      |
| Bottom to Package Flat | D     | .125     | .165 |
| Overall Width          | E     | .175     | .205 |
| Overall Length         | A     | .170     | .210 |
| Molded Package Radius  | R     | .080     | .105 |
| Tip to Seating Plane   | L     | .500     | —    |
| Lead Thickness         | c     | .014     | .021 |
| Lead Width             | b     | .014     | .022 |

**Notes:**

- Dimensions A and E do not include mold flash or protrusions. Mold flash or protrusions shall not exceed .005" per side.
- Dimensioning and tolerancing per ASME Y14.5M.

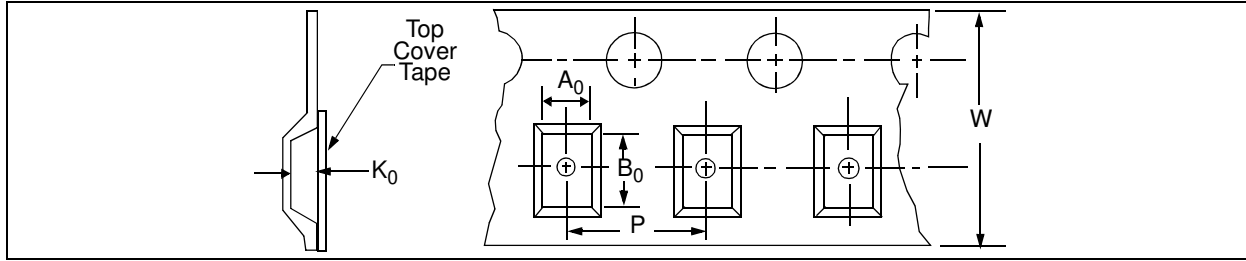
BSC: Basic Dimension. Theoretically exact value shown without tolerances.

Microchip Technology Drawing C04-101B

# MCP102/103/121/131

## 5.2 Product Tape and Reel Specifications

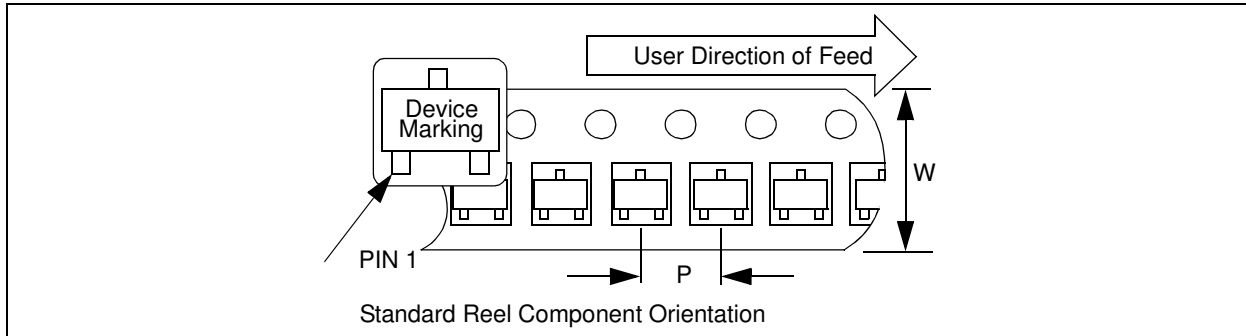
**FIGURE 5-1: EMBOSSED CARRIER DIMENSIONS (8, 12, 16 AND 24 MM TAPE ONLY)**



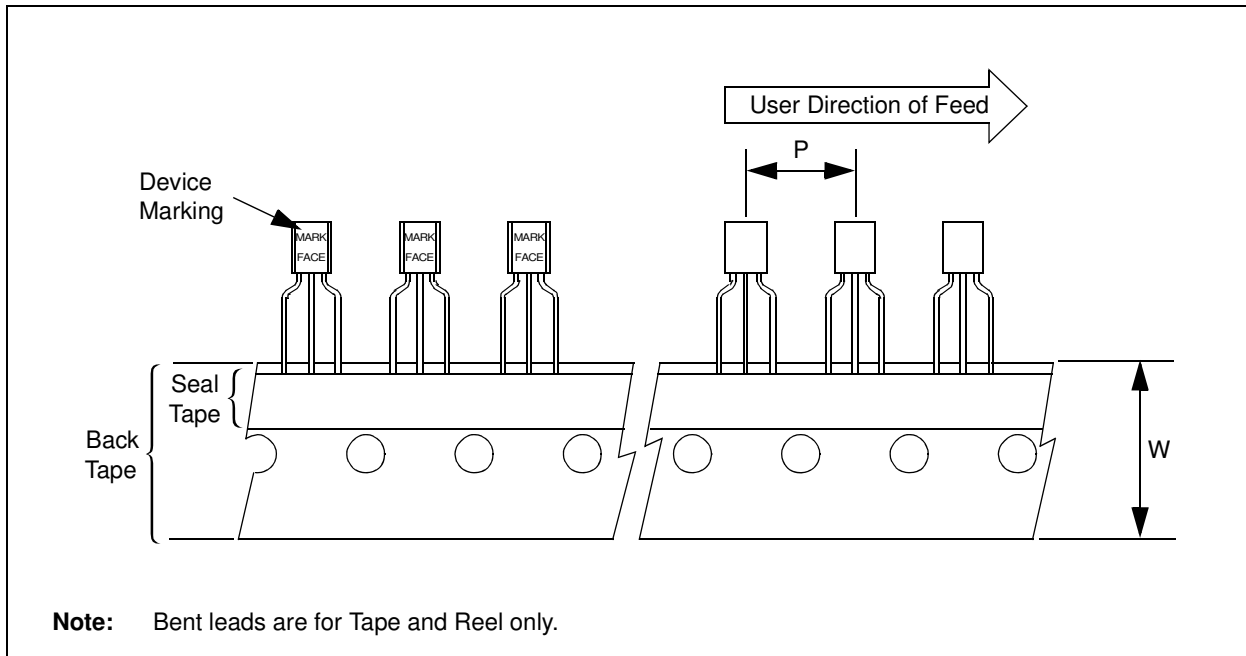
**TABLE 5-1: CARRIER TAPE/CAVITY DIMENSIONS**

| Case Outline | Package Type |    | Carrier Dimensions |      | Cavity Dimensions |       |       | Output Quantity Units | Reel Diameter in mm |
|--------------|--------------|----|--------------------|------|-------------------|-------|-------|-----------------------|---------------------|
|              |              |    | W mm               | P mm | A0 mm             | B0 mm | K0 mm |                       |                     |
| TT           | SOT-23       | 3L | 8                  | 4    | 3.15              | 2.77  | 1.22  | 3000                  | 180                 |
| LB           | SC70         | 3L | 8                  | 4    | 2.4               | 2.4   | 1.19  | 3000                  | 180                 |

**FIGURE 5-2: 3-LEAD SOT-23/SC70 DEVICE TAPE AND REEL SPECIFICATIONS**



**FIGURE 5-3: TO-92 DEVICE TAPE AND REEL SPECIFICATIONS**



## APPENDIX A: REVISION HISTORY

### Revision D (February 2014)

The following is the list of modifications:

1. Updated [Table 3-1](#).
2. Updated [Figure 2-25](#).
3. Updated SC70, SOT-23 and TO-92 package drawings and markings in [Section 5.0 “Packaging Information”](#).

### Revision C (January 2013)

- Added a note to each package outline drawing.

### Revision B (March 2005)

The following is the list of modifications:

1. Added [Section 4.4 “Usage in PIC® Microcontroller, ICSP™ Applications \(MCP121 only\)”](#) on using the MCP121 in PIC microcontroller ICSP applications.
2. Added  $V_{ODH}$  specifications in [Section 1.0 “Electrical Characteristics”](#) (for ICSP applications).
3. Added [Figure 2-23](#).
4. Updated SC70 package markings and added Pb-free marking information to [Section 5.0 “Packaging Information”](#).
5. Added [Appendix A: “Revision History”](#).

### Revision A (August 2004)

- Original Release of this Document.



# MCP102/103/121/131

---

NOTES:

## PRODUCT IDENTIFICATION SYSTEM

To order or obtain information, e.g., on pricing or delivery, refer to the factory or the listed sales office.

| PART NO.   | - X                 | XXX   | X   | / | XX   |
|--|---------------------|---|---|---|--|
| Device   | Tape/Reel<br>Option | Monitoring<br>Options   | Temperature<br>Range  |   | Package  |
| <b>Device:</b><br>MCP102: MicroPower Voltage Supervisor, push-pull<br>MCP102T: MicroPower Voltage Supervisor, push-pull<br>(Tape and Reel)<br>MCP103: MicroPower Voltage Supervisor, push-pull<br>MCP103T: MicroPower Voltage Supervisor, push-pull<br>(Tape and Reel)<br>MCP121 MicroPower Voltage Supervisor, open-drain<br>MCP121T: MicroPower Voltage Supervisor, open-drain<br>(Tape and Reel)<br>MCP131 MicroPower Voltage Supervisor, open-drain<br>MCP131T: MicroPower Voltage Supervisor, open-drain<br>(Tape and Reel) |                     |   |   |   |  |
| <b>Monitoring Options:</b>   |                     | 195 = 1.90V<br>240 = 2.32V<br>270 = 2.63V<br>300 = 2.93V<br>315 = 3.08V<br>450 = 4.38V<br>475 = 4.63V |   |   |  |
| <b>Temperature Range:</b>  |                     |   | I = -40°C to +85°C (MCP1xx(T)-195 only)<br>E = -40°C to +125°C (Except for MCP1xx(T)-195) |   |  |
| <b>Package:</b>  |                     |   |   |   | TT = SOT-23, 3-lead<br>LB = SC70, 3-lead<br>TO = TO-92, 3-lead |
| <b>Examples:</b>   |                     |   |   |   |  |
| a) MCP102T-195I/TT: Tape and Reel, 1.95V MicroPower Voltage Supervisor, push-pull, -40°C to +85°C, SOT-23 package  |                     |   |   |   |  |
| b) MCP102-300E/TO: 3.00V MicroPower Voltage Supervisor, push-pull, -40°C to +125°C, TO-92 package  |                     |   |   |   |  |
| a) MCP103T-270E/TT: Tape and Reel, 2.70V MicroPower Voltage Supervisor, push-pull, -40°C to +125°C, SOT-23 package   |                     |   |   |   |  |
| b) MCP103T-475E/LB: Tape and Reel, 4.75V MicroPower Voltage Supervisor, push-pull, -40°C to +125°C, SC70 package   |                     |   |   |   |  |
| a) MCP121T-315E/LB: Tape and Reel, 3.15V MicroPower Voltage Supervisor, open-drain, -40°C to +125°C, SC70 package  |                     |   |   |   |  |
| b) MCP121-300E/TO: 3.00V MicroPower Voltage Supervisor, open-drain, -40°C to +125°C, TO-92 package   |                     |   |   |   |  |
| a) MCP131T-195I/TT: Tape and Reel, 1.95V MicroPower Voltage Supervisor, open-drain, -40°C to +85°C, SOT-23 package   |                     |   |   |   |  |
| b) MCP131-300E/TO: 3.00V MicroPower Voltage Supervisor, open-drain, -40°C to +125°C, TO-92 package   |                     |   |   |   |  |