



Chipsmall Limited consists of a professional team with an average of over 10 year of expertise in the distribution of electronic components. Based in Hongkong, we have already established firm and mutual-benefit business relationships with customers from,Europe,America and south Asia,supplying obsolete and hard-to-find components to meet their specific needs.

With the principle of “Quality Parts,Customers Priority,Honest Operation,and Considerate Service”,our business mainly focus on the distribution of electronic components. Line cards we deal with include Microchip,ALPS,ROHM,Xilinx,Pulse,ON,Everlight and Freescale. Main products comprise IC,Modules,Potentiometer,IC Socket,Relay,Connector.Our parts cover such applications as commercial,industrial, and automotives areas.

We are looking forward to setting up business relationship with you and hope to provide you with the best service and solution. Let us make a better world for our industry!



Contact us

Tel: +86-755-8981 8866 Fax: +86-755-8427 6832

Email & Skype: info@chipsmall.com Web: www.chipsmall.com

Address: A1208, Overseas Decoration Building, #122 Zhenhua RD., Futian, Shenzhen, China



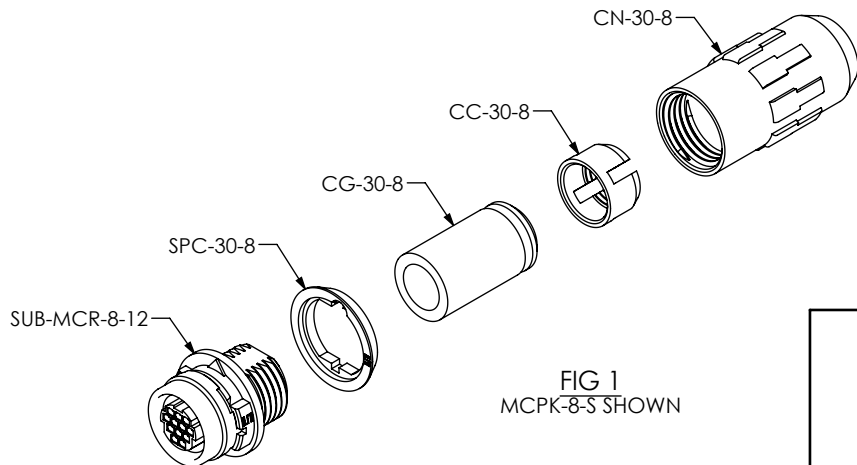


FIG 1
MCPK-8-S SHOWN

DO NOT
SCALE FROM
THIS PRINT

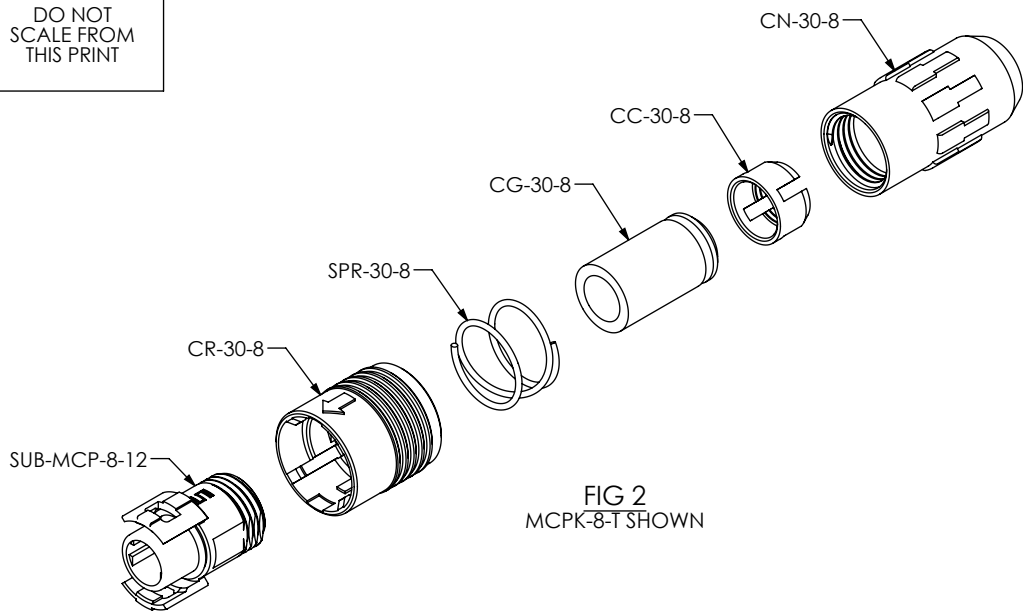
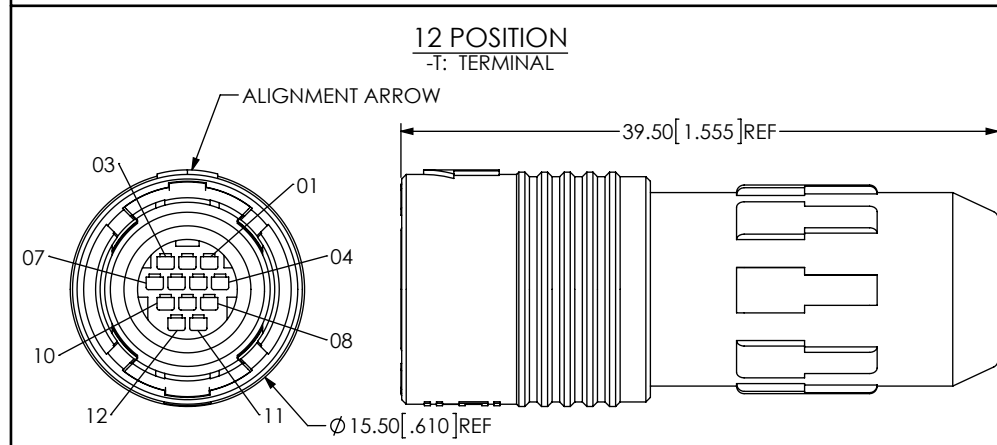
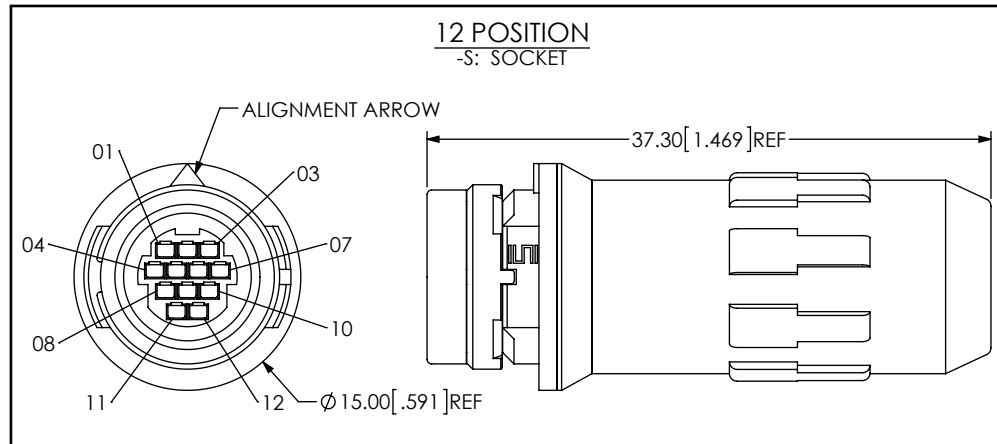


FIG 2
MCPK-8-T SHOWN

NOTES:

1. Ⓢ REPRESENTS A CRITICAL DIMENSION.
2. COMPONENTS TO BE PACKAGED PER PACKAGING STANDARDS CO-RF-WI-3001-M.
3. TORQUE SPECIFICATION FOR CN-30-8 (CABLE NUT): 0.5 Nm [4.4 IN-LBS]
4. CABLE DIAMETER RANGE SPECIFICATION: 6.20[.244] - 7.00[.276]
5. -T (TERMINAL): REFERENCE DCA-MCP-8 PRINT FOR TERMINAL DUSTCAP
6. -S (SOCKET): REFERENCE DCA-MCR-8 PRINT FOR SOCKET DUSTCAP
6. PLACE HDRL-07 (LABEL) ON BAG. LABEL TO HAVE THE FOLLOWING PRINTED IN ARIAL FONT SIZE 9:
 LINE 1 - "FOR ASSEMBLY INSTRUCTIONS SEE"
 LINE 2 - "WWW.SAMTEC.COM/MCPKFTK"
 LINE 3 - PART NUMBER "XXXXXX"
 LINE 4 - SHOP ORDER NUMBER "XXXXXX"
7. -T (TERMINAL): REFERENCE TC114-XXXX-X-X PRINT FOR TERMINALS.
 -S (SOCKET): REFERENCE CC393-XXXX-X-X PRINT FOR CONTACTS.



UNLESS OTHERWISE SPECIFIED,
DIMENSIONS ARE IN MILLIMETERS.
TOLERANCES ARE:
 DECIMALS ANGLES
 X.X: ±0.3 [.01] 2°
 X.XX: ±0.13 [.005]
 X.XXX: ±0.051 [.0020]

PROPRIETARY NOTE
 THIS DOCUMENT CONTAINS INFORMATION
 CONFIDENTIAL AND PROPRIETARY TO
 SAMTEC, INC. AND SHALL NOT BE REPRODUCED
 OR TRANSFERRED TO OTHER DOCUMENTS OR
 DISCLOSED TO OTHERS OR USED FOR ANY
 PURPOSE OTHER THAN THAT WHICH IT WAS
 OBTAINED WITHOUT THE EXPRESSED WRITTEN
 CONSENT OF SAMTEC, INC.



520 PARK EAST BLVD, NEW ALBANY, IN 47150
 PHONE: 812-944-6733 FAX: 812-948-5047
 e-Mail info@SAMTEC.com code 53322

MATERIAL: DO NOT SCALE DRAWING
 INSULATORS, CABLE NUT, C-RING: PPS
 GASKET, O-RING: SILICONE
 SPRING: STAINLESS STEEL
 COUPLING RING, SPACER: PBT
 CABLE CLAMP: POM

SHEET SCALE: 1:1

DESCRIPTION:
 MINI CIRC. CABLE KIT

DWG. NO.

MCPK-8-X

BY: J. BORGELT 4/15/13

SHEET 1 OF 1