



Chipsmall Limited consists of a professional team with an average of over 10 year of expertise in the distribution of electronic components. Based in Hongkong, we have already established firm and mutual-benefit business relationships with customers from,Europe,America and south Asia,supplying obsolete and hard-to-find components to meet their specific needs.

With the principle of “Quality Parts,Customers Priority,Honest Operation,and Considerate Service”,our business mainly focus on the distribution of electronic components. Line cards we deal with include Microchip,ALPS,ROHM,Xilinx,Pulse,ON,Everlight and Freescale. Main products comprise IC,Modules,Potentiometer,IC Socket,Relay,Connector.Our parts cover such applications as commercial,industrial, and automotives areas.

We are looking forward to setting up business relationship with you and hope to provide you with the best service and solution. Let us make a better world for our industry!



Contact us

Tel: +86-755-8981 8866 Fax: +86-755-8427 6832

Email & Skype: info@chipsmall.com Web: www.chipsmall.com

Address: A1208, Overseas Decoration Building, #122 Zhenhua RD., Futian, Shenzhen, China





Wirewound, Metal Film, and Power Metal Strip® Packaging

GLOBAL MODEL	SIZE	REEL: PUNCHED PAPER					BULK		
		PACKAGING CODE		MAXIMUM PIECES/REEL	TAPE WIDTH ⁽¹⁾	REEL DIAMETER ⁽¹⁾	PACKAGING CODE		MAXIMUM PIECES/BAG
		LEAD (Pb)-FREE	TIN/LEAD				LEAD (Pb)-FREE	TIN/LEAD	
WSL0603, WSLx0603	0603	EA	TG	5000	8.0 (0.315)	178 (7.00)	EK	BA	100
WSL0805, WSLx0805	0805	EA	TG	5000	8.0 (0.315)	178 (7.00)	EK	BA	100
WSE0805	0805	EA	TG	5000	8.0 (0.315)	178 (7.00)	EK	BA	100

GLOBAL MODEL	SIZE	REEL: EMBOSSED PLASTIC					BULK		
		PACKAGING CODE		MAXIMUM PIECES/REEL	TAPE WIDTH ⁽¹⁾	REEL DIAMETER ⁽¹⁾	PACKAGING CODE		MAXIMUM PIECES/BAG
		LEAD (Pb)-FREE	TIN/LEAD				LEAD (Pb)-FREE	TIN/LEAD	
WSK0612, WSKW0612	0612	EA	TA	4000	8.0 (0.315)	178 (7.00)	EK	N/A	100
WSK1216	1216	EA	N/A	3000	12.0 (0.472)	330 (13.00)	EK	N/A	100
WSL0612	0612	EA	TA	4000	8.0 (0.315)	178 (7.00)	EK	BA	100
WSL1020	1020	EA	TA	4000	12.0 (0.472)	178 (7.00)	EK	BA	100
WSL1206, WSLx1206	1206	EA	TA	4000	8.0 (0.315)	178 (7.00)	EK	BA	100
WSL1506E	1506	EA	TA	4000	12.0 (0.472)	178 (7.00)	EK	BA	2500
WSL2010	2010	EA	TA	4000	12.0 (0.472)	178 (7.00)	EK	BA	100
WSL2010E	2010	EA	TA	4000	12.0 (0.472)	178 (7.00)	EK	BA	2500
WSC01/2, WSF2012	2012	EA	TA	2000	12.0 (0.472)	330 (13.00)	EK	BA	100
WSK2512, WSL2512, WSLx2512	2512	EA	TA	2000	12.0 (0.472)	178 (7.00)	EK	BA	100
WSLF2512	2512	EA	N/A	4000	12.0 (0.472)	330 (13.00)	EK	N/A	100
WSL2512E	2512	EA	TA	2000	12.0 (0.472)	178 (7.00)	EK	BA	100
WSC2515, WSF2515	2515	EA	TA	2000	16.0 (0.630)	330 (13.00)	EK	BA	100
WSL2726, WSLx2726	2726	EA	N/A	1500	16.0 (0.630)	330 (13.00)	EK	N/A	100
WSL2816	2816	EH	TH	2000	12.0 (0.472)	178 (7.00)	EK	BA	100
WSHM2818, WSHP2818	2818	EA	TA	3500	16.0 (0.630)	330 (13.00)	EK	BA	100
WSL3637	3637	EA	TA	4000	16.0 (0.630)	330 (13.00)	EK	BA	100
WSL3921, WSLx3921	3921	EA	N/A	3000	16.0 (0.630)	330 (13.00)	EK	N/A	100
WSL4026, WSLx4026	4026	EA	N/A	1500	24.0 (0.945)	330 (13.00)	EK	N/A	100
WSC0002, WSC4527, WSF4527	4527	EA	TA	1200	24.0 (0.945)	330 (13.00)	EK	BA	100
WSR2, WSR3, WSR5	4527	EA	TA	1500	24.0 (0.945)	330 (13.00)	EK	BA	100
WSL5931, WSLx5931	5931	EA	N/A	1500	24.0 (0.945)	330 (13.00)	EK	N/A	100
WSC6927	6927	EA	TA	725	32.0 (1.260)	330 (13.00)	EK	BA	100
WSZ7532	7532	EA	TA	350	32.0 (1.260)	330 (13.00)	EK	BA	100

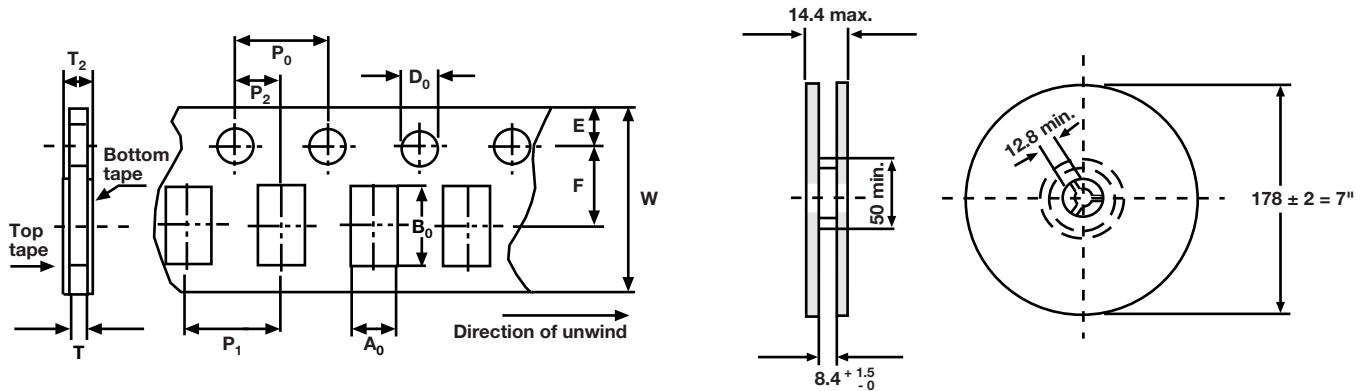
Notes

- WSLx = WSLP, WSLS, or WSLT
- ⁽¹⁾ Dimensions in millimeters (inches)



8 mm PUNCHED PAPER TAPE (WSE, WSL, WSLx)

Dimensions in millimeters



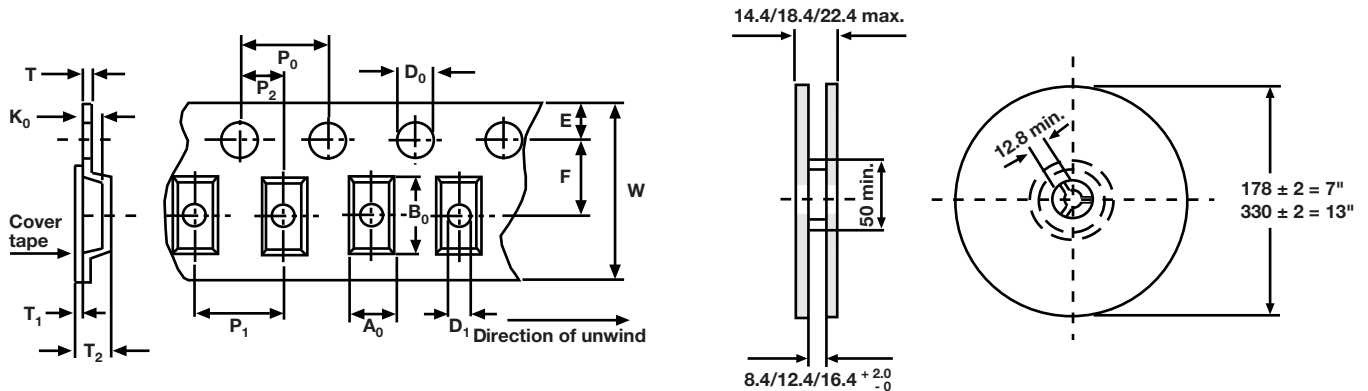
SIZE	A ₀ ± 0.05	B ₀ ± 0.05	D ₀ + 0.1	P ₀ ± 0.1	P ₁ ± 0.05	P ₂ ± 0.05	E ± 0.1	F ± 0.05	W MAX.	T ₂ MAX.	T ± 0.05
0603	1.15	1.85	1.5	4.0	4.0	2.0	1.75	3.5	8.3	0.8	0.6
0805	1.65	2.4	1.5	4.0	4.0	2.0	1.75	3.5	8.3	0.85	0.6
WSE0805	1.65	2.4	1.5	4.0	4.0	2.0	1.75	3.5	8.3	1.0	0.75

Note

- For further information regarding taping, see EIA-481

8 mm / 12 mm EMBOSSED PLASTIC CARRIER TAPE (WSK, WSL, WSLx, WSL....E)

Dimensions in millimeters



SIZE	A ₀ ± 0.1	B ₀ ± 0.1	D ₀ + 0.1	D ₁ MIN.	E ± 0.1	F ± 0.05	K ₀ MAX.	P ₀ ± 0.1	P ₁ ± 0.1	P ₂ ± 0.05	T ₁ MAX.	T ₂ MAX.	T MAX.	W MAX.
0612, 1206	1.91	3.51	1.5	1.0	1.75	3.5	0.79	4.0	4.0	2.0	0.1	1.19	0.3	8.3
WSK1216	4.06	4.83	1.5	1.5	1.75	5.5	2.29	4.0	8.0	2.0	0.1	2.79	0.4	12.3
1020	2.79	5.38	1.5	1.5	1.75	5.5	0.79	4.0	4.0	2.0	0.1	1.19	0.3	12.3
WSL1506E	2.134	4.343	1.5	1.5	1.75	5.5	0.79	4.0	4.0	2.0	0.1	1.19	0.3	12.3
2010	2.79	5.38	1.5	1.5	1.75	5.5	0.79	4.0	4.0	2.0	0.1	1.19	0.3	12.3
WSL2010E	2.8	5.6	1.5	1.5	1.75	5.5	0.9	4.0	4.0	2.0	0.1	1.3	0.3	12.3
2512	3.42	6.63	1.5	1.5	1.75	5.5	0.79	4.0	8.0	2.0	0.1	1.19	0.3	12.3
WSL2512E	3.55	6.85	1.5	1.5	1.75	5.5	0.9	4.0	8.0	2.0	0.1	1.3	0.3	12.3
WSLF2512 1 mΩ, 1.3 mΩ, 3 mΩ, 4 mΩ	3.58	6.7	1.5	1.5	1.75	5.5	1.14	4.0	8.0	2.0	0.058	1.19	0.3	12.3
WSLF2512 0.3 mΩ, 0.5 mΩ, 2 mΩ	3.58	6.7	1.5	1.5	1.75	5.5	1.52	4.0	8.0	2.0	0.058	1.19	0.3	12.3
2816	4.6	7.4	1.5	1.5	1.75	5.5	1.0	4.0	8.0	2.0	0.1	1.4	0.3	12.3

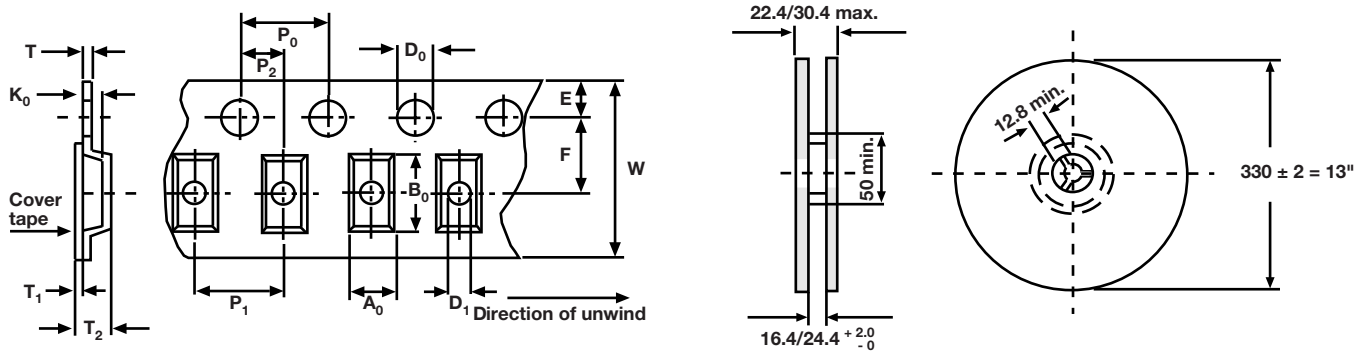
Note

- For further information regarding taping, see EIA-481



16 mm / 24 mm EMBOSSED PLASTIC CARRIER TAPE (WSH, WSL, WSLx)

Dimensions in millimeters



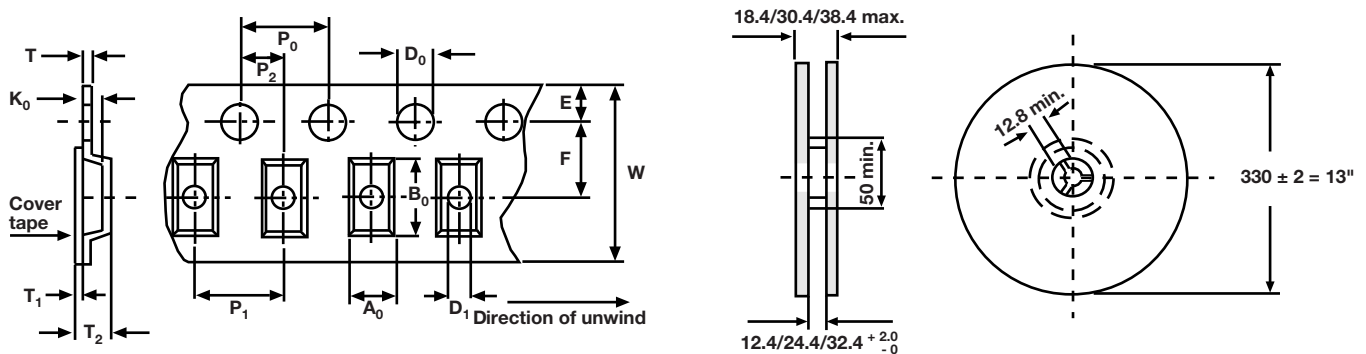
SIZE	A ₀ ± 0.1	B ₀ ± 0.1	D ₀ + 0.1	D ₁ MIN.	E ± 0.1	F ± 0.1	K ₀ MAX.	P ₀ ± 0.1	P ₁ ± 0.1	P ₂ ± 0.1	T ₁ MAX.	T ₂ MAX.	T MAX.	W MAX.
2726	7.40	7.10	1.5	1.5	1.75	7.5	3.6	4.0	12.0	2.0	0.1	4.11	0.41	16.3
WSHM2818, WSHP2818	5.08	7.49	1.5	1.5	1.75	7.5	1.63	4.0	8.0	2.0	0.1	2.05	0.41	16.3
3637	9.6	9.9	1.5	1.5	1.75	7.5	1.0	4.0	12.0	2.0	0.1	1.51	0.41	16.3
3921 ≤ 0.5 mΩ	5.59	10.41	1.5	1.5	1.75	7.5	2.13	4.0	8.0	2.0	0.1	2.64	0.41	16.3
3921 ≥ 0.8 mΩ	5.59	10.41	1.5	1.5	1.75	7.5	1.14	4.0	8.0	2.0	0.1	1.65	0.41	16.3
4026	7.00	10.51	1.5	1.5	1.75	11.5	4.0	4.0	12.0	2.0	0.1	4.51	0.41	24.3
5931 ≤ 1.0 mΩ	8.3	15.62	1.5	1.5	1.75	11.5	2.39	4.0	12.0	2.0	0.1	2.9	0.41	24.3
5931 ≥ 2.0 mΩ	8.3	15.62	1.5	1.5	1.75	11.5	1.22	4.0	12.0	2.0	0.1	1.73	0.41	24.3

Note

- For further information regarding taping, see EIA-481

12 mm / 16 mm / 24 mm / 32 mm EMBOSSED PLASTIC CARRIER TAPE (WSC, WSF, WSN, WSR, WSZ)

Dimensions in millimeters



SIZE	A ₀ ± 0.15	B ₀ ± 0.15	D ₀ + 0.1	D ₁ MIN.	E ± 0.1	F ± 0.1	K ₀ MAX.	P ₀ ± 0.1	P ₁ ± 0.1	P ₂ ± 0.1	T ₁ MAX.	T ₂ MAX.	T MAX.	W MAX.
2012	3.5	5.6	1.5	1.5	1.75	5.5	2.92	4.0	8.0	2.0	0.1	3.42	0.4	12.3
2515	4.3	7.1	1.5	1.5	1.75	7.5	3.53	4.0	8.0	2.0	0.1	4.03	0.4	16.3
4527	7.34	12.22 ± 0.25	1.5	1.5	1.75	11.5	4.85	4.0	12.0	2.0	0.1	5.35	0.4	24.3
WSR2, WSR3, WSR5	7.4	12.1	1.5	1.5	1.75	11.5	2.89	4.0	12.0	2.0	0.1	3.39	0.4	24.3
6927 ⁽¹⁾	7.5	18.3	1.5	2.0	1.75	14.2	7.7	4.0	12.0	2.0	0.1	8.2	0.4	32.3
7532 ⁽¹⁾	9.2 ± 0.2	20.9 ± 0.2	1.5	N/A	1.75	14.2	10.4	4.0	16.0	2.0	0.1	10.9	0.4	32.3

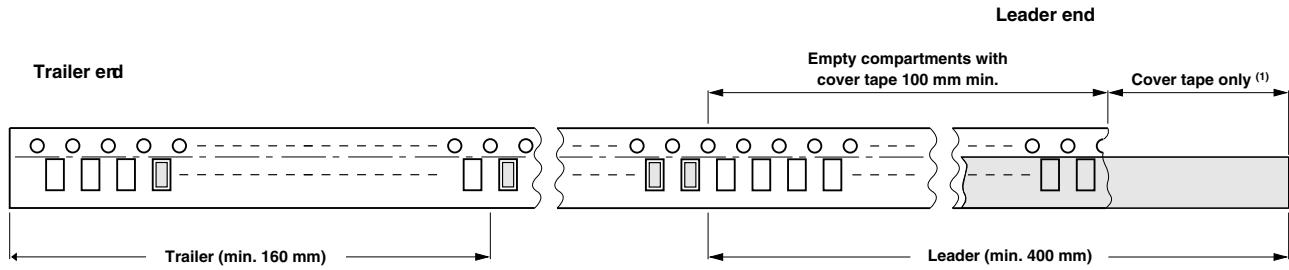
Notes

- For further information regarding taping, see EIA-481

⁽¹⁾ 6927 and 7532 pocket shapes are slightly different than shown; however, dimensions given are correct



LEADER AND TRAILER TAPE



Notes

- The minimum length of the leader is 400 mm, which includes a minimum 100 mm of carrier tape with empty compartments and sealed by the cover tape
- The minimum length of the trailer is 160 mm carrier tape with empty compartments and sealed by the cover tape
- (1) All of the leader may consist of the carrier tape with empty compartments sealed by cover tape