



Chipsmall Limited consists of a professional team with an average of over 10 year of expertise in the distribution of electronic components. Based in Hongkong, we have already established firm and mutual-benefit business relationships with customers from,Europe,America and south Asia,supplying obsolete and hard-to-find components to meet their specific needs.

With the principle of “Quality Parts,Customers Priority,Honest Operation,and Considerate Service”,our business mainly focus on the distribution of electronic components. Line cards we deal with include Microchip,ALPS,ROHM,Xilinx,Pulse,ON,Everlight and Freescale. Main products comprise IC,Modules,Potentiometer,IC Socket,Relay,Connector.Our parts cover such applications as commercial,industrial, and automotives areas.

We are looking forward to setting up business relationship with you and hope to provide you with the best service and solution. Let us make a better world for our industry!



Contact us

Tel: +86-755-8981 8866 Fax: +86-755-8427 6832

Email & Skype: info@chipsmall.com Web: www.chipsmall.com

Address: A1208, Overseas Decoration Building, #122 Zhenhua RD., Futian, Shenzhen, China



4-terminal high precision current sensor specification

1.Scope

This specification applies to the following 4-terminals high precision current sensor for use in electronic equipments.

2.Part number

$\text{RL3264SW4} - \text{***M} - \text{F} - \text{T*}$
 ① ② ③ ④

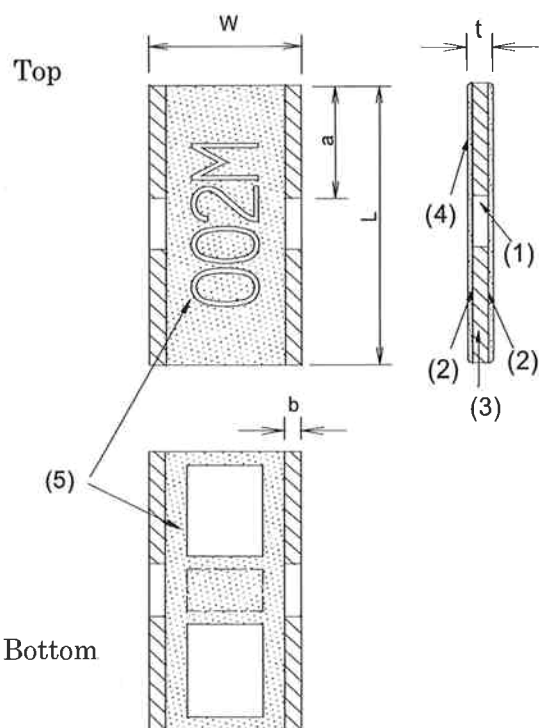
Explanation of Resistance Value
 Eg.) $2 \text{ m}\Omega \rightarrow 002\text{M}$

- ① Type
- ② Nominal resistance
- ③ Resistance tolerance
- ④ Packaging form (T1 = 1,000pcs/reel ,T5 = 5,000pcs/reel)

3.Structure

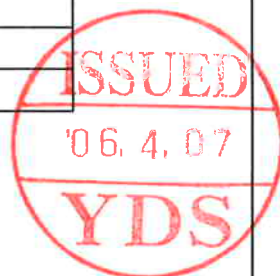
Metallized Ni-alloy resistor and electrode on ceramic substrate, covered with heat resistive epoxy resin.

4.Dimensions



- (1) Substrate Alumina 96%
- (2) Resistor Ni-alloy
- (3) Terminals Sn-Pb or Sn(on Cu)
Sn is free from lead.
- (4) Protection film Heat resistive epoxy resin
- (5) Marking Epoxy resin

Symbol	Dimensions(mm)
L	6.4 ± 0.2
W	3.2 ± 0.2
t	0.5 ± 0.2
a	2.7 ± 0.2
b	0.4 ± 0.2



Marking

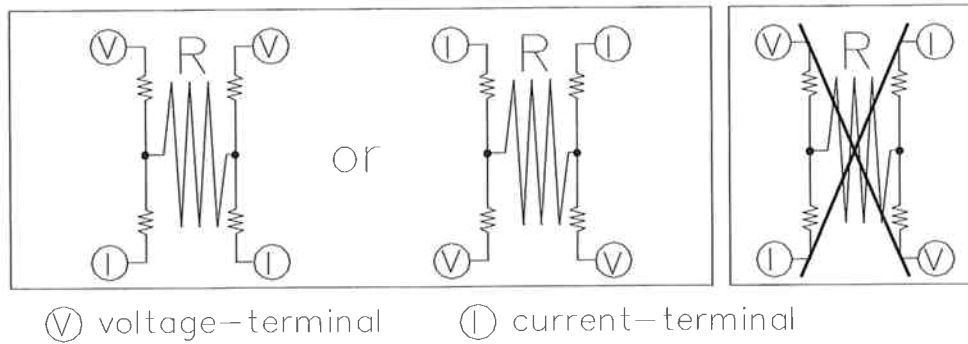
Top: Resistance value Eg.) $2 \text{ m}\Omega \rightarrow 002\text{M}$

Bottom: An alphabet that indicates manufacturing month, and quadrilaterals beside its both sides shall be marked.

Manufacturing month code reference is the annexed document 1 table 5 of JIS C 5201 - 1:1998

Autho	Check	Approval	Title	Description
K. Inomata	K. Nagano	A. Nakajima	RL3264SW4 4-terminals high precision current sensing	Specification
Apr.07.2006	Apr.07.2006	Apr.07.2006		Document # RL00-1126
				Rev. 0
				Yokohama Densi Seiko Co.,Ltd. Page 1/6

6.Schematic diagram



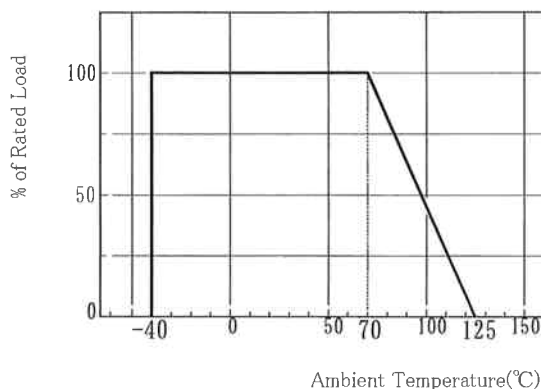
There is no difference between voltage-terminal and current terminal. But it is possibly causing to deteriorate its characteristics when you connect line across. You can't connect lines across each other

Resistance value of this product is called resistance value for current sensing and shows resistance value of sign R in the upper diagram. Resistance value between terminals shows resistance value added at terminal resistance.

7.Specification

Parameter	Specification
Resistance value for current sensing	1 mΩ ~ 10 mΩ 1mΩ step
Resistance tolerance	±0.5% (D) ±1.0% (F)
Terminal resistance	500 μΩ under
Temperature coefficient of resistance	1 mΩ ±300ppm/°C 2~4 mΩ ±200ppm/°C 5~10 mΩ ±100ppm/°C
Rated load	2 W (Derating curve···Figure-1)
Maximum over current	$I = \sqrt{(150/R)}$ [A] (10m sec. max.) Resistance value (Ω) Maximum current 200A Interval 60 sec min.
Operating temperature range	-40~+125°C
Rated ambient temperature	+70°C

Figure -1 Derating curve



8. Reliability testing

Parameter	Conditions	Specification
Short time over load	Voltage of 1.5 times the rated voltage shall be applied for 5sec.	$\pm(0.5\% +0.0005\Omega)$
Load life	Rated voltage for 90min. followed by a pause of 30min. at a temperature of $70\pm 3^{\circ}\text{C}$. Cycles shall be repeated for 1000hrs.	$\pm(0.5\% +0.0005\Omega)$
Moisture load life	Rated voltage for 90min. followed by a pause of 30min. at a temperature of $60\pm 2^{\circ}\text{C}$ with relative humidity of 90%. Cycles shall be repeated for 1000h	$\pm(0.5\% +0.0005\Omega)$
Temperature cycle	$[-40^{\circ}\text{C} \text{ 30min} \rightarrow \text{R.T. 3min} \rightarrow +125^{\circ}\text{C} \text{ 30min} \rightarrow \text{R.T. 3min.}]$ 5continuous cycles.	$\pm(0.5\% +0.0005\Omega)$
Soldering heating	Dipped into solder for $10\pm 1\text{sec.}$ at $260\pm 5^{\circ}\text{C}$	$\pm(0.5\% +0.0005\Omega)$
Substrate bending	Between fulcrums :90mm Bend width : 2mm Glass-epoxy board $t=1.6\text{mm}$	$\pm(0.5\% +0.0005\Omega)$
Solderability	Dipped into solder for $3\pm 0.5\text{sec.}$ at $235\pm 5^{\circ}\text{C}$ or $245\pm 5^{\circ}\text{C}$ (lead free)	A new solder shall cover min of 90 %

9. Packaging

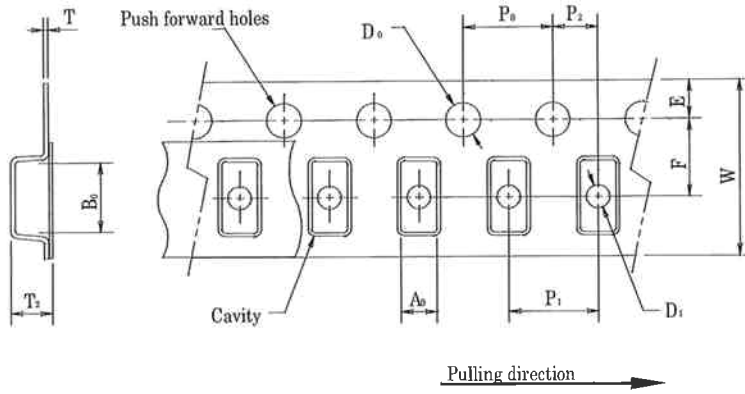
Packing quantity , 1,000 or 5,000pieces/reel

Taping form	Figure-2
Peeling strength of seal tape	Figure-3
Reel form	Figure-4
Taping direction	Figure-5

Marking The following items shall be printed on the reel label.(Figure-6)

Part number
Quantity for each reel
Manufacturing month code
Manufacturer
Inspection number (Lot number)
The country of origin
Double dashed line.
No mark when finish of terminals is solder.

Figure-2 Plastic tape Taping form



Symbol	Dimensions
A 0	3.43 ±0.2
B 0	6.63 ±0.2
W	12.0 ±0.3
F	5.5 ±0.05
E	1.75 ±0.1
P 0	4.0 ±0.1
P 1	4.0 ±0.1
P 2	2.0 ±0.05
D 0	1.5 +0.1/-0
D 1	1.5 +0.2/-0
T	0.3 max
T 2	1.5max

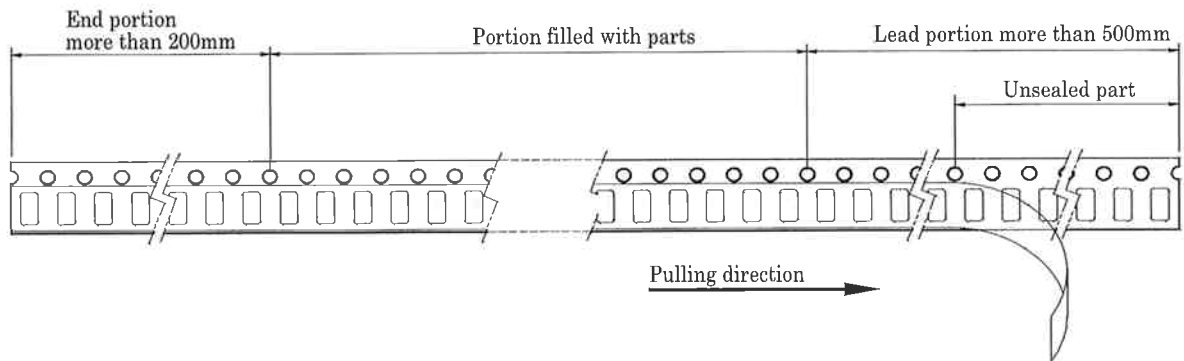


Figure-3 Peeling strength of seal tape

F = Peeling strength: 0.1 – 0.7N (10 - 71gf)

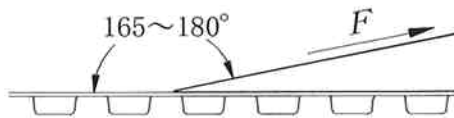
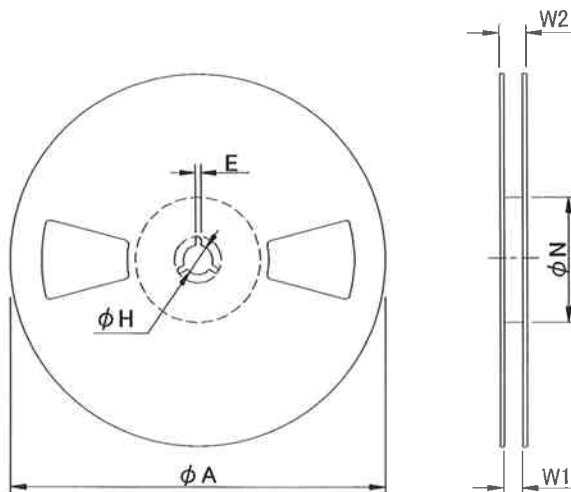


Figure-4 Reel form



Symbol	Dimensions(mm)	
	1000pcs/reel	5000pcs/reel
phi A	180+0/-3	255±1.0
phi H	13.0±0.2	13.0±0.3
E	2.0±0.5	2.0±0.2
phi N	60+1/-0	80±0.5
W1	13.0±0.3	13.5±1.0
W2	17.0±1.4	18.4 or less

(unit: mm)

Material: Plastic

Figure-5 Taping direction

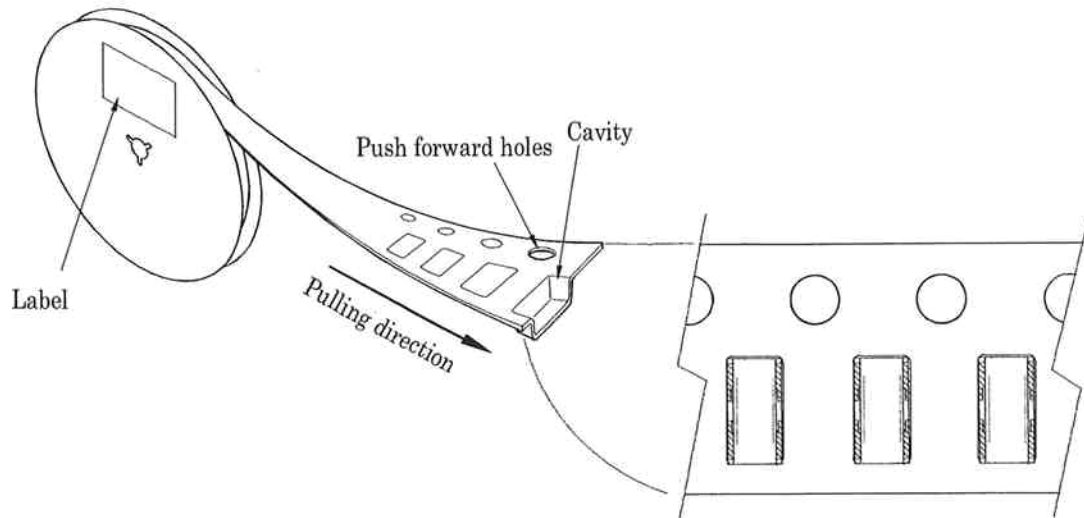
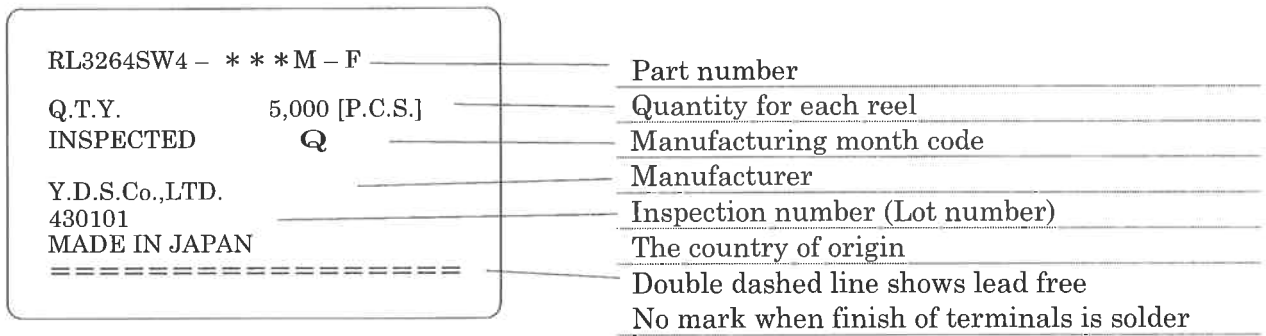


Figure-6 Reel label



[Revision history]

Rev.	Date of enactment	Author	Check	Approval	Revision content
0	Apr.7.2006	K.Inomata	K.Nagano	A.Nakajima	First edition