



Chipsmall Limited consists of a professional team with an average of over 10 year of expertise in the distribution of electronic components. Based in Hongkong, we have already established firm and mutual-benefit business relationships with customers from,Europe,America and south Asia,supplying obsolete and hard-to-find components to meet their specific needs.

With the principle of "Quality Parts,Customers Priority,Honest Operation,and Considerate Service",our business mainly focus on the distribution of electronic components. Line cards we deal with include Microchip,ALPS,ROHM,Xilinx,Pulse,ON,Everlight and Freescale. Main products comprise IC,Modules,Potentiometer,IC Socket,Relay,Connector.Our parts cover such applications as commercial,industrial, and automotives areas.

We are looking forward to setting up business relationship with you and hope to provide you with the best service and solution. Let us make a better world for our industry!



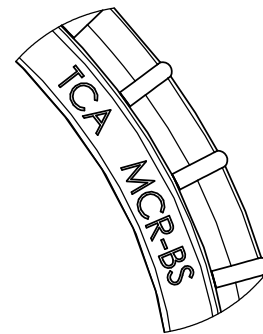
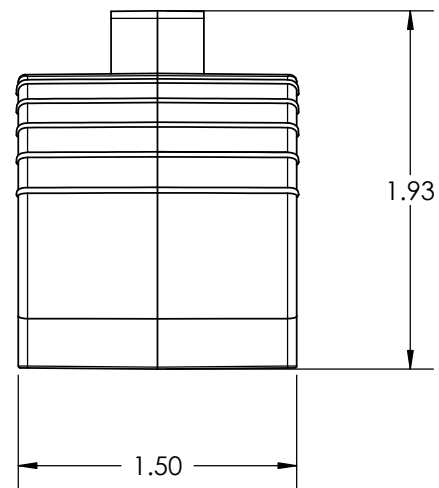
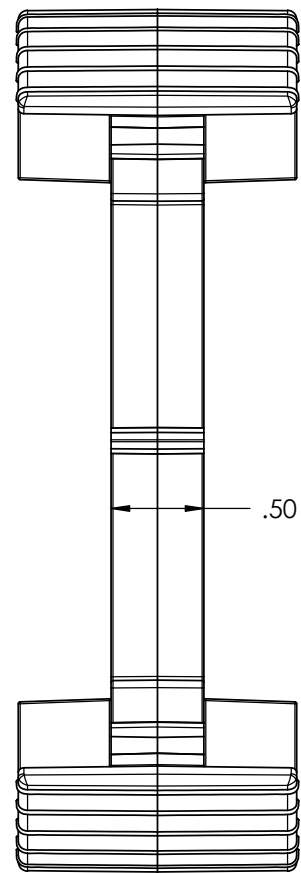
Contact us

Tel: +86-755-8981 8866 Fax: +86-755-8427 6832

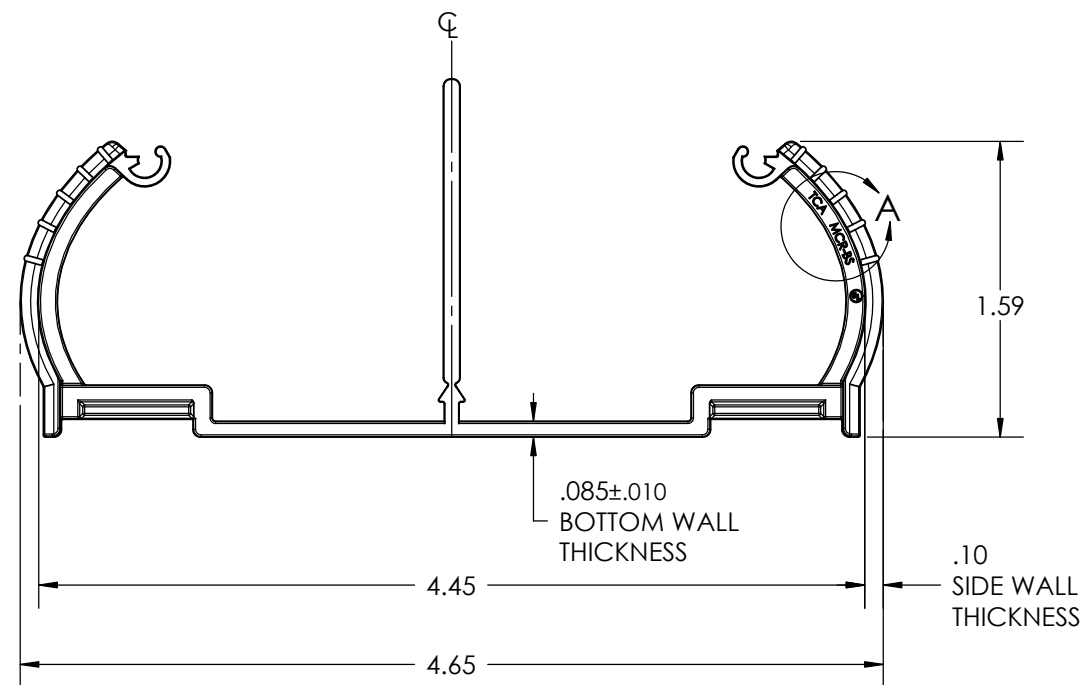
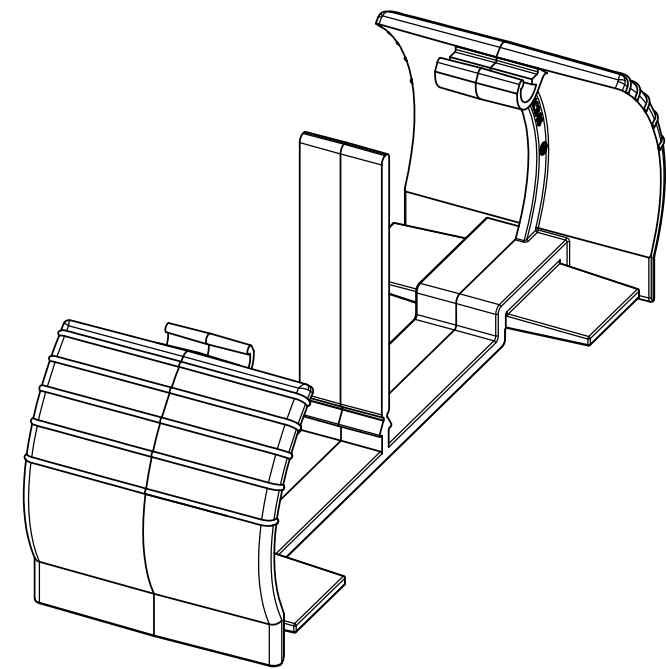
Email & Skype: info@chipsmall.com Web: www.chipsmall.com

Address: A1208, Overseas Decoration Building, #122 Zhenhua RD., Futian, Shenzhen, China





DETAIL A
SCALE 3:1



PART NO. DESCRIPTION

MCR_-BS

COLOR: CONTACT FACTORY
FOR AVAILABLE COLORS.

INVENTORS

HellermannTyton®

ALL PROPRIETARY RIGHTS IN THE SUBJECT MATTER SHOWN ON THIS DRAWING ARE EXCLUSIVE PROPERTY OF HELLERMANNITYTON

name	date	city	state

NOTES

1. THIS PART ACCEPTS (2) MCR RACEWAYS
2. ALL DUPLICATE FIGURES ARE SYMETRICAL ABOUT ϕ

REVISION

level	02
by	AAC
date	06/23/2006
ECN #	010451
part level	B

DIMENSIONS

.XXXX = ±.0005
.XXX = ±.005
.XX = ±.01
.X = ±.03
∠ = ±0.5°
unless otherwise specified
units inches

PART

number	MCR_-BS	phase	Production
name MULTI-CHANNEL RACEWAY STRAIGHT SPLICE BASE			
material HIPS HIGH IMPACT POLYSTYRENE			

DRAWING

format	B	CAD	SW 2006	scale	1:1
version N					
computer file number	DT2013113CST_02		previous number		
drawn	MEF	checked	KAC	approved	
date	12/02/1998		06/23/2006		
type	Customer		sheet 1 of 1		
number	DT2013113CST				