



Chipsmall Limited consists of a professional team with an average of over 10 year of expertise in the distribution of electronic components. Based in Hongkong, we have already established firm and mutual-benefit business relationships with customers from,Europe,America and south Asia,supplying obsolete and hard-to-find components to meet their specific needs.

With the principle of “Quality Parts,Customers Priority,Honest Operation,and Considerate Service”,our business mainly focus on the distribution of electronic components. Line cards we deal with include Microchip,ALPS,ROHM,Xilinx,Pulse,ON,Everlight and Freescale. Main products comprise IC,Modules,Potentiometer,IC Socket,Relay,Connector.Our parts cover such applications as commercial,industrial, and automotives areas.

We are looking forward to setting up business relationship with you and hope to provide you with the best service and solution. Let us make a better world for our industry!



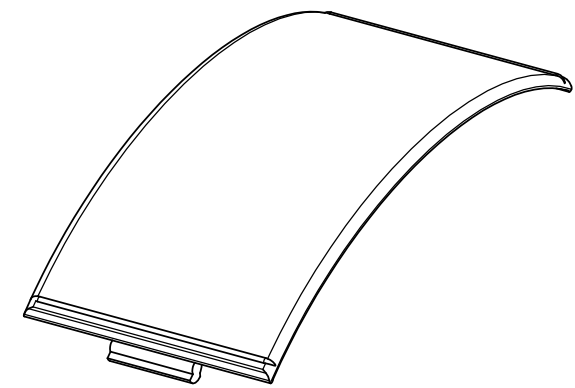
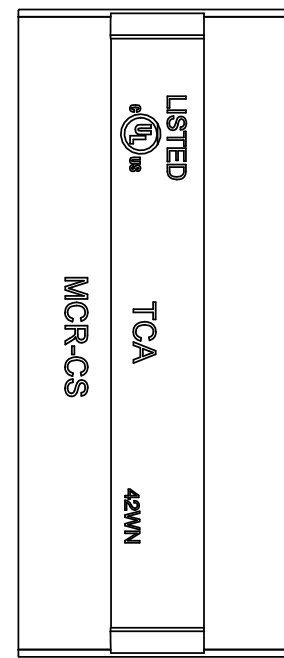
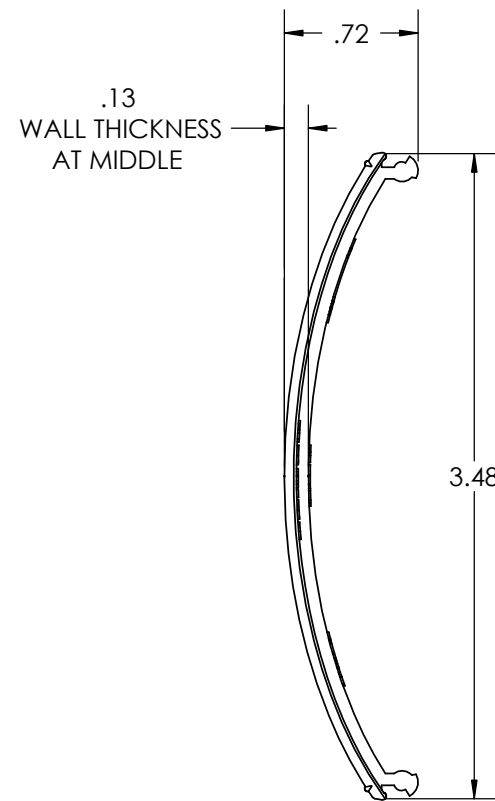
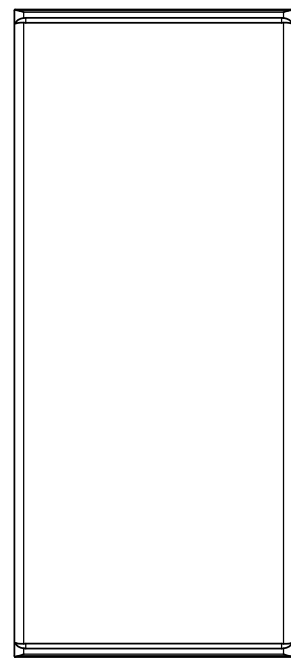
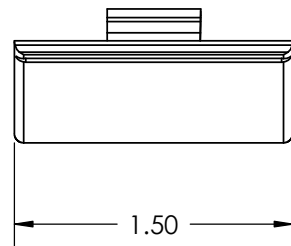
Contact us

Tel: +86-755-8981 8866 Fax: +86-755-8427 6832

Email & Skype: info@chipsmall.com Web: www.chipsmall.com

Address: A1208, Overseas Decoration Building, #122 Zhenhua RD., Futian, Shenzhen, China





PRODUCT CODE DESCRIPTION

MCR__-CS
 ↑
 COLOR
 (FOR AVAILABLE COLORS
 CONTACT FACTORY)

INVENTORS

HellermannTyton®

ALL PROPRIETARY RIGHTS IN THE SUBJECT MATTER SHOWN ON THIS DRAWING ARE EXCLUSIVE PROPERTY OF HELLERMANNITYTON

name	date	city	state

NOTES

- PART IS USED TO CLOSE UP GAPS BETWEEN ENDS OF MCR COVERS.
- ALL DUPLICATE FIGURES ARE SYMETRICAL ABOUT ϕ .

REVISION

level	03
by	AAC
date	06/23/2006
ECN #	010451
part level	B

DIMENSIONS

TOLERANCES	.XXXX = ±.0005
	.XXX = ±.005
	.XX = ±.01
	.X = ±.03
	$\angle = \pm 0.5^\circ$
	unless otherwise specified
units	inches

PART

number	MCR_-CS	phase	Production
name COVER SPLICE MULTI-CHANNEL RACEWAY			
material	HIPS HIGH IMPACT POLYSTYRENE		

DRAWING

format	B	CAD	SW 2006	scale	1:1
version N					
computer file number	DT2013114CST_03	previous number			
drawn	MEF	checked	KAC	approved	
date	12/02/1998	date	06/23/2006		
type	Customer	sheet 1 of 1			
number	DT2013114CST				