



Chipsmall Limited consists of a professional team with an average of over 10 year of expertise in the distribution of electronic components. Based in Hongkong, we have already established firm and mutual-benefit business relationships with customers from,Europe,America and south Asia,supplying obsolete and hard-to-find components to meet their specific needs.

With the principle of “Quality Parts,Customers Priority,Honest Operation,and Considerate Service”,our business mainly focus on the distribution of electronic components. Line cards we deal with include Microchip,ALPS,ROHM,Xilinx,Pulse,ON,Everlight and Freescale. Main products comprise IC,Modules,Potentiometer,IC Socket,Relay,Connector.Our parts cover such applications as commercial,industrial, and automotives areas.

We are looking forward to setting up business relationship with you and hope to provide you with the best service and solution. Let us make a better world for our industry!



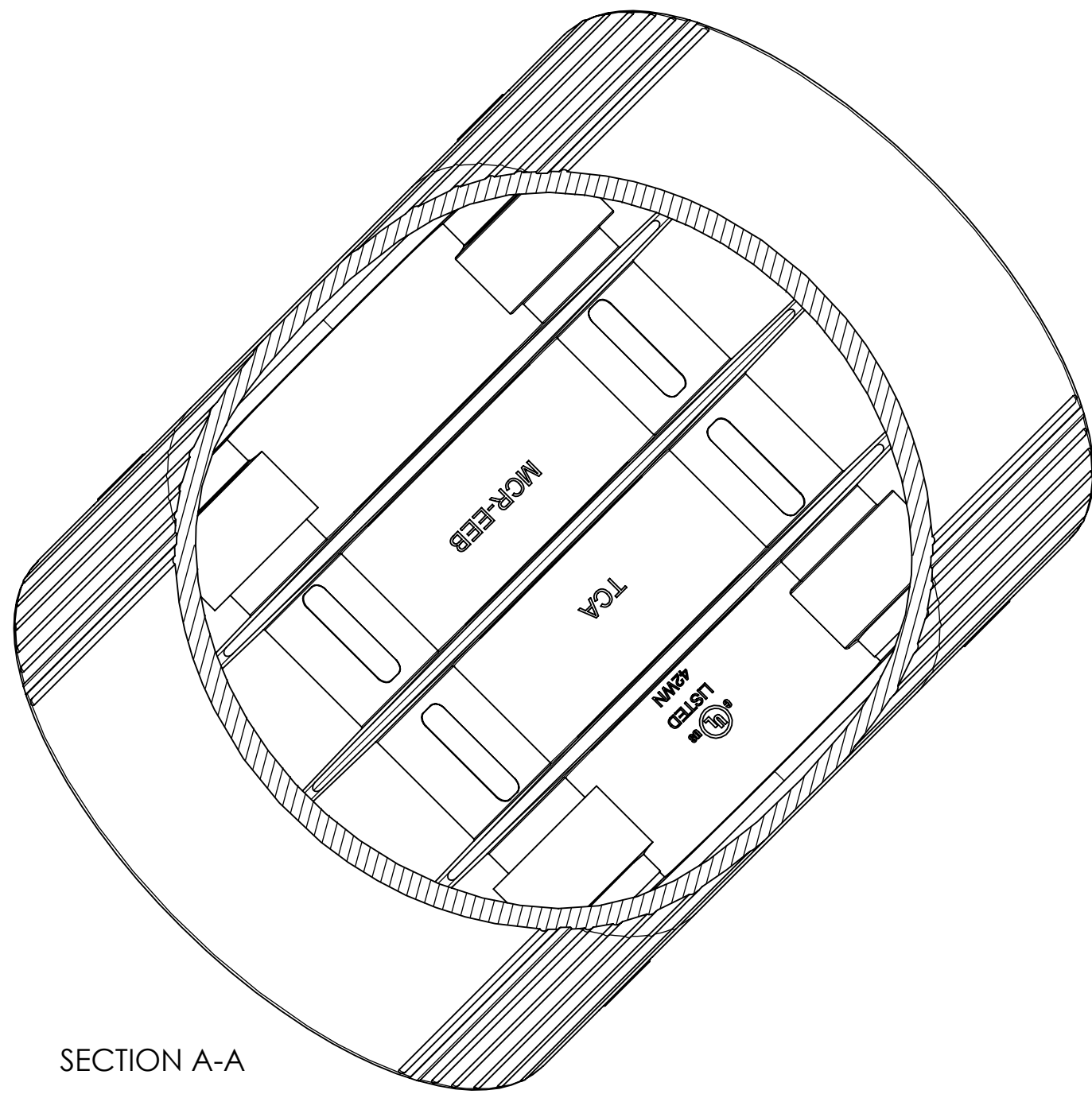
Contact us

Tel: +86-755-8981 8866 Fax: +86-755-8427 6832

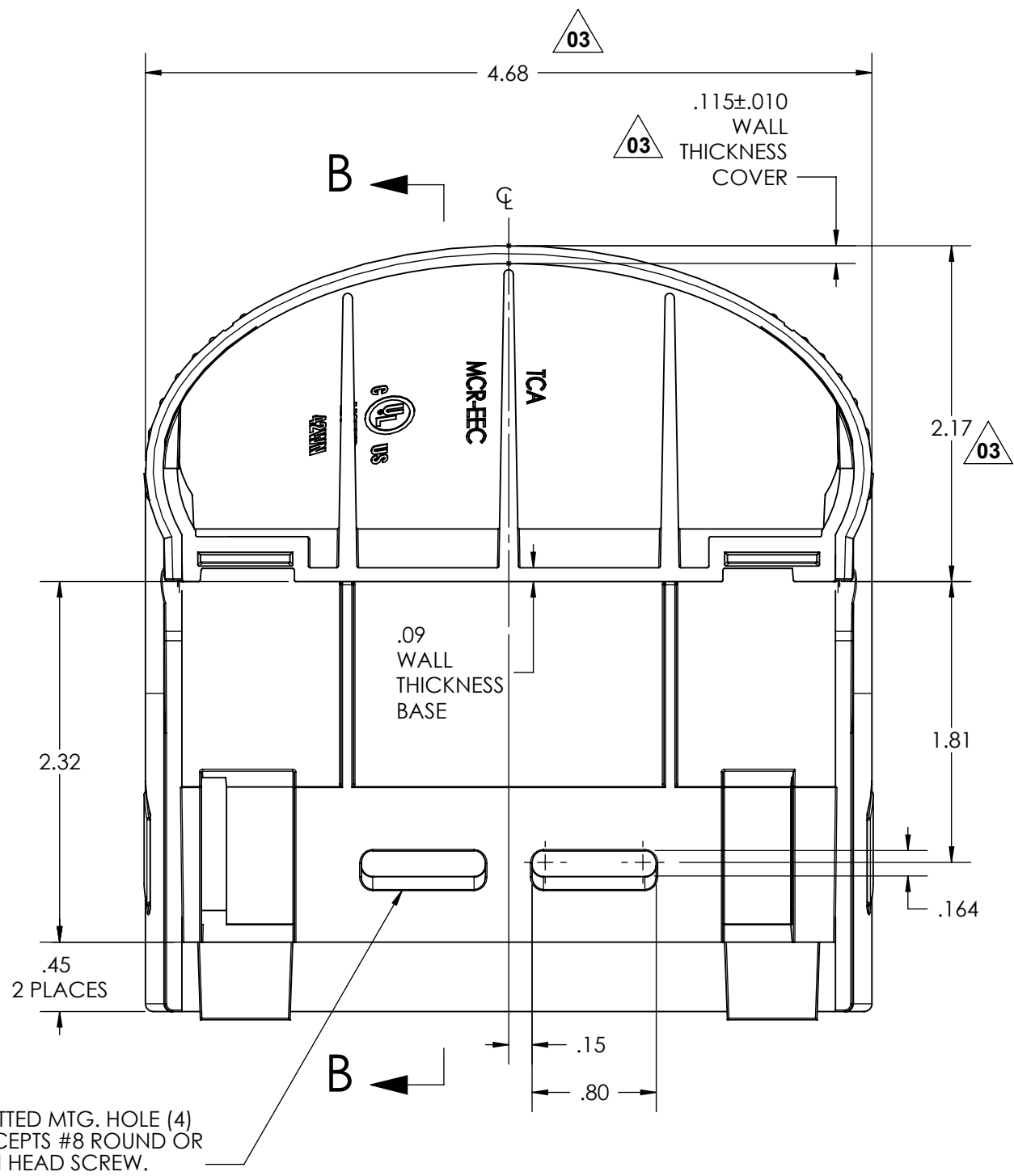
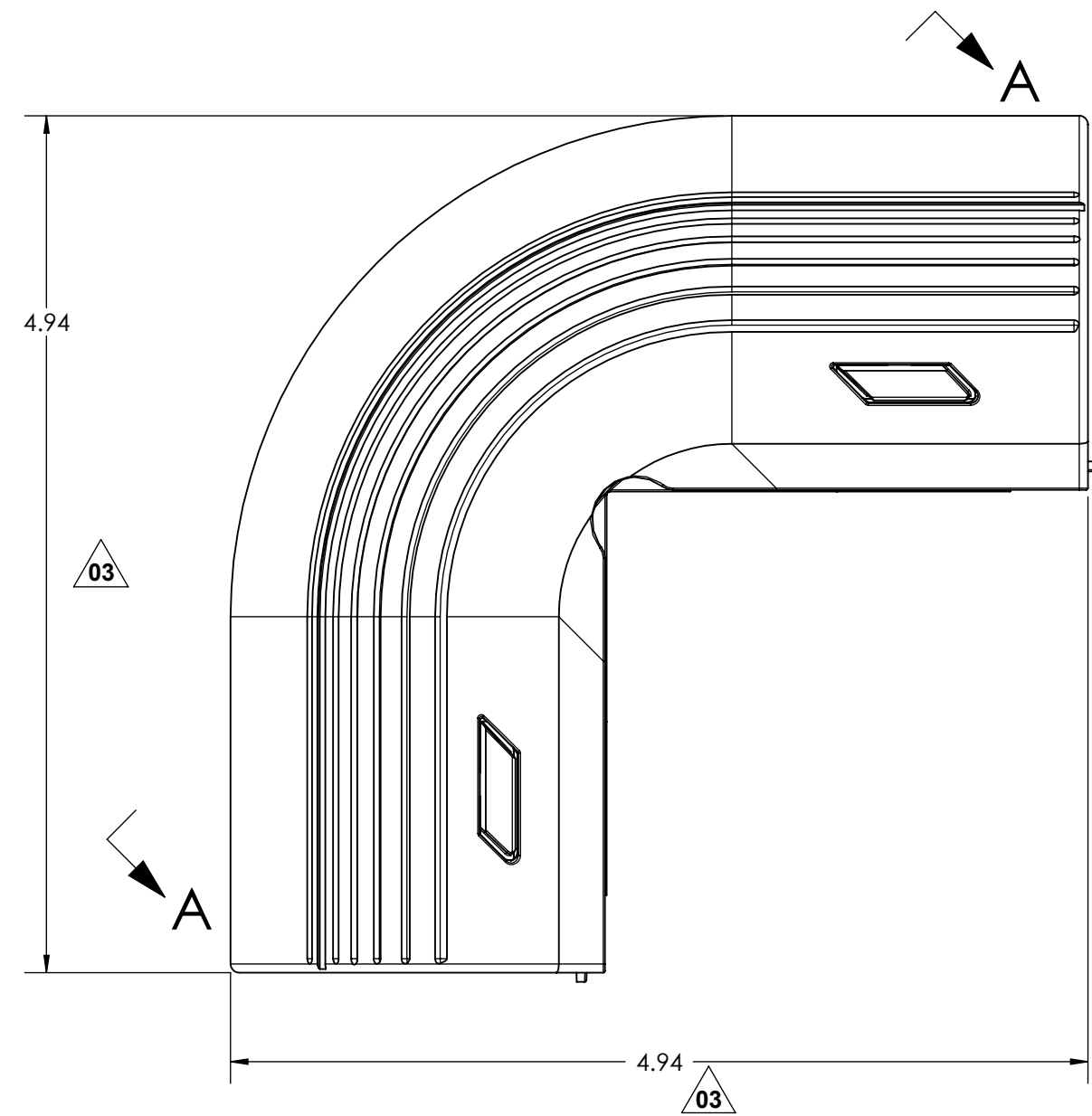
Email & Skype: info@chipsmall.com Web: www.chipsmall.com

Address: A1208, Overseas Decoration Building, #122 Zhenhua RD., Futian, Shenzhen, China

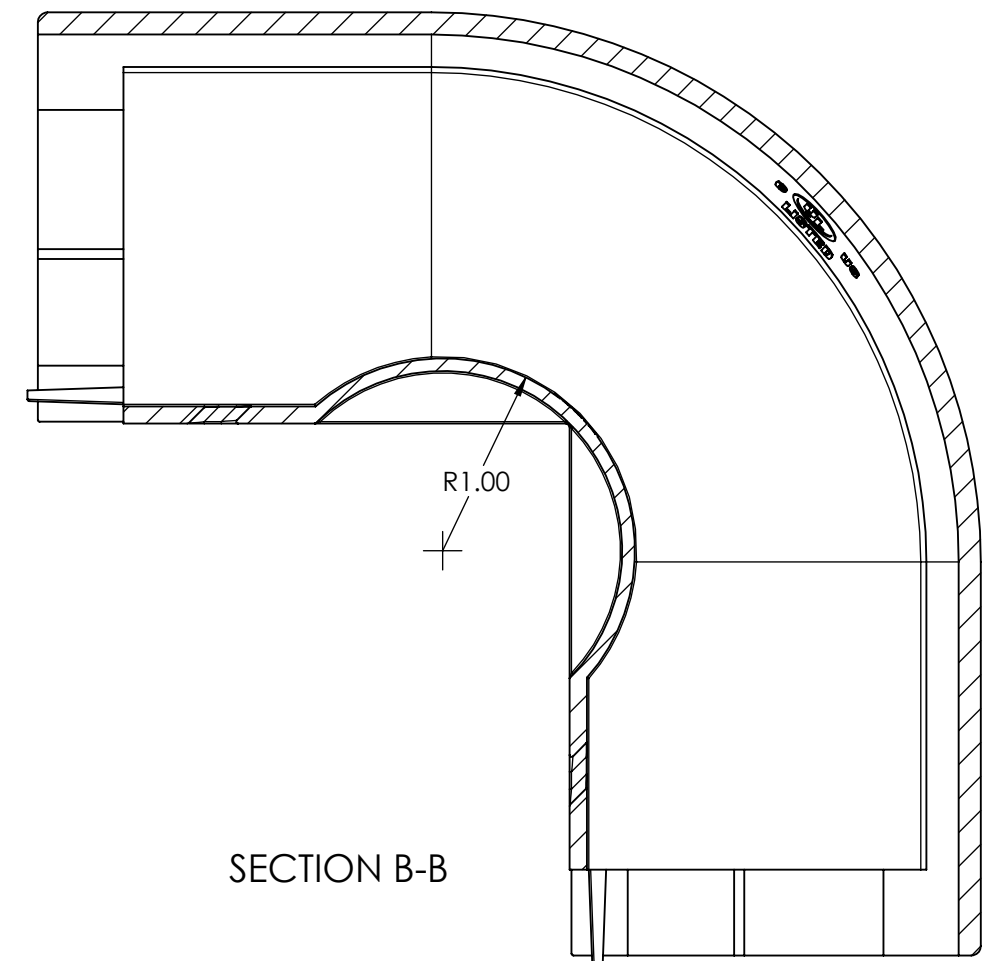
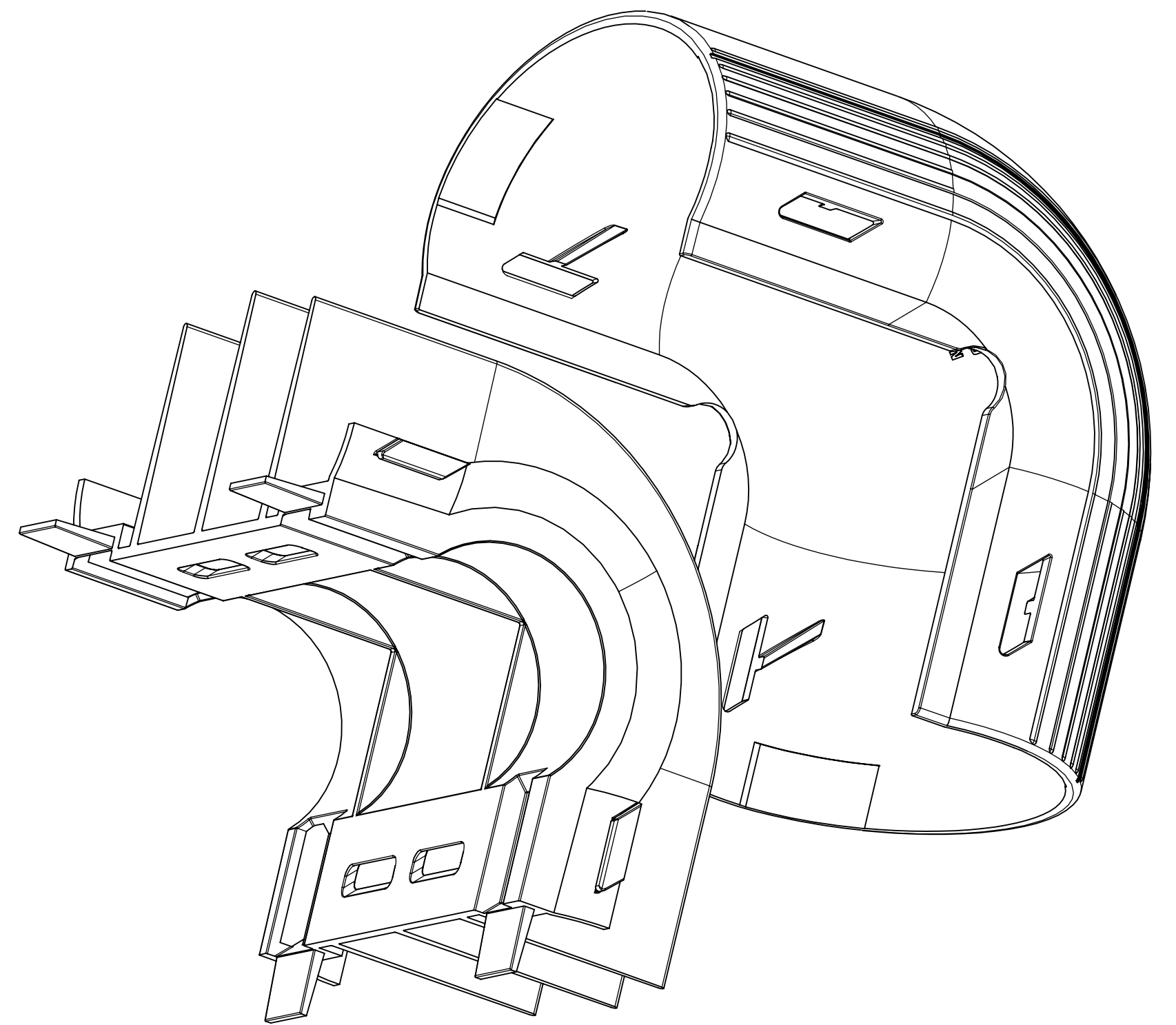




SECTION A-A



SLOTTED MTG. HOLE (4)
ACCEPTS #8 ROUND OR
PAN HEAD SCREW.



SECTION B-B

PART NO. DESCRIPTION

MCR -EE

COLOR: CONTACT FACTORY FOR AVAILABLE COLORS.

HellermannTyton®
ALL PROPRIETARY RIGHTS IN THE SUBJECT MATTER SHOWN ON THIS DRAWING ARE EXCLUSIVE PROPERTY OF HELLERMANN TYTON

name	date	city, state

NOTES

1. THIS ASSEMBLY ACCEPTS (2) MCR RACEWAYS.
2. ALL DUPLICATE FIGURES ARE SYMETRICAL ABOUT ϕ .

REVISION	level	03
	by	MHT
	date	04/18/2011
	ECN #	011814
	part level	-

DIMENSIONS	.XXXX = ±.0005
	.XXX = ±.005
	.XX = ±.01
	.X = ±.03
	∠ = ±0.5°
	unless otherwise specified
units	inches

PART	number	MCR_-EE	phase	Production
	name MULTI-CHANNEL RACEWAY EXTERNAL ELBOW			
	material HIPS HIGH IMPACT POLYSTYRENE			

DRAWING	format	CAD	SW 2010	scale	1:1
	version	N			
	computer file name	DT2013115CST_03		previous drawing number	
	drawn	MEF	checked	KAC	approved
	date	12/02/1998	checked	04/19/2011	approved
	type	Customer	sheet 1 of 1		
number	DT2013115CST				