



Chipsmall Limited consists of a professional team with an average of over 10 year of expertise in the distribution of electronic components. Based in Hongkong, we have already established firm and mutual-benefit business relationships with customers from,Europe,America and south Asia,supplying obsolete and hard-to-find components to meet their specific needs.

With the principle of “Quality Parts,Customers Priority,Honest Operation,and Considerate Service”,our business mainly focus on the distribution of electronic components. Line cards we deal with include Microchip,ALPS,ROHM,Xilinx,Pulse,ON,Everlight and Freescale. Main products comprise IC,Modules,Potentiometer,IC Socket,Relay,Connector.Our parts cover such applications as commercial,industrial, and automotives areas.

We are looking forward to setting up business relationship with you and hope to provide you with the best service and solution. Let us make a better world for our industry!



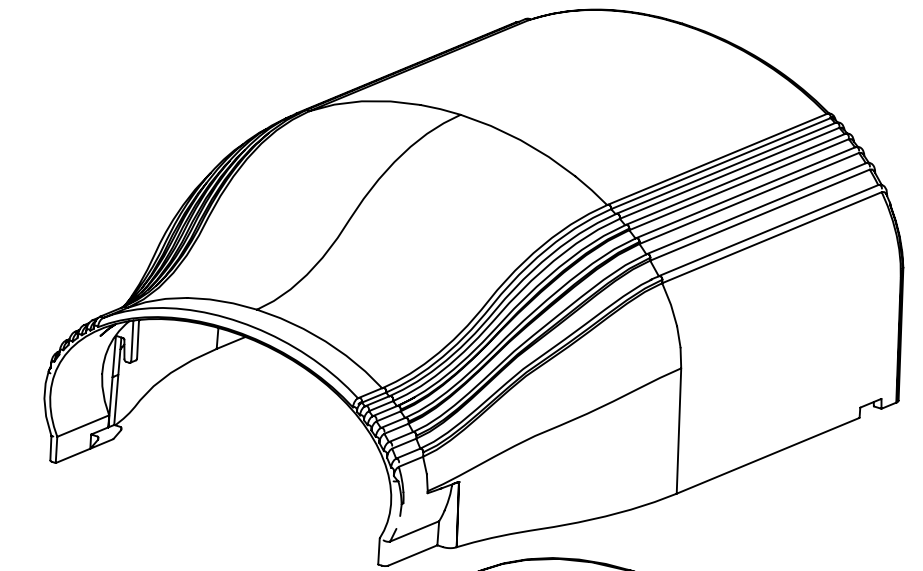
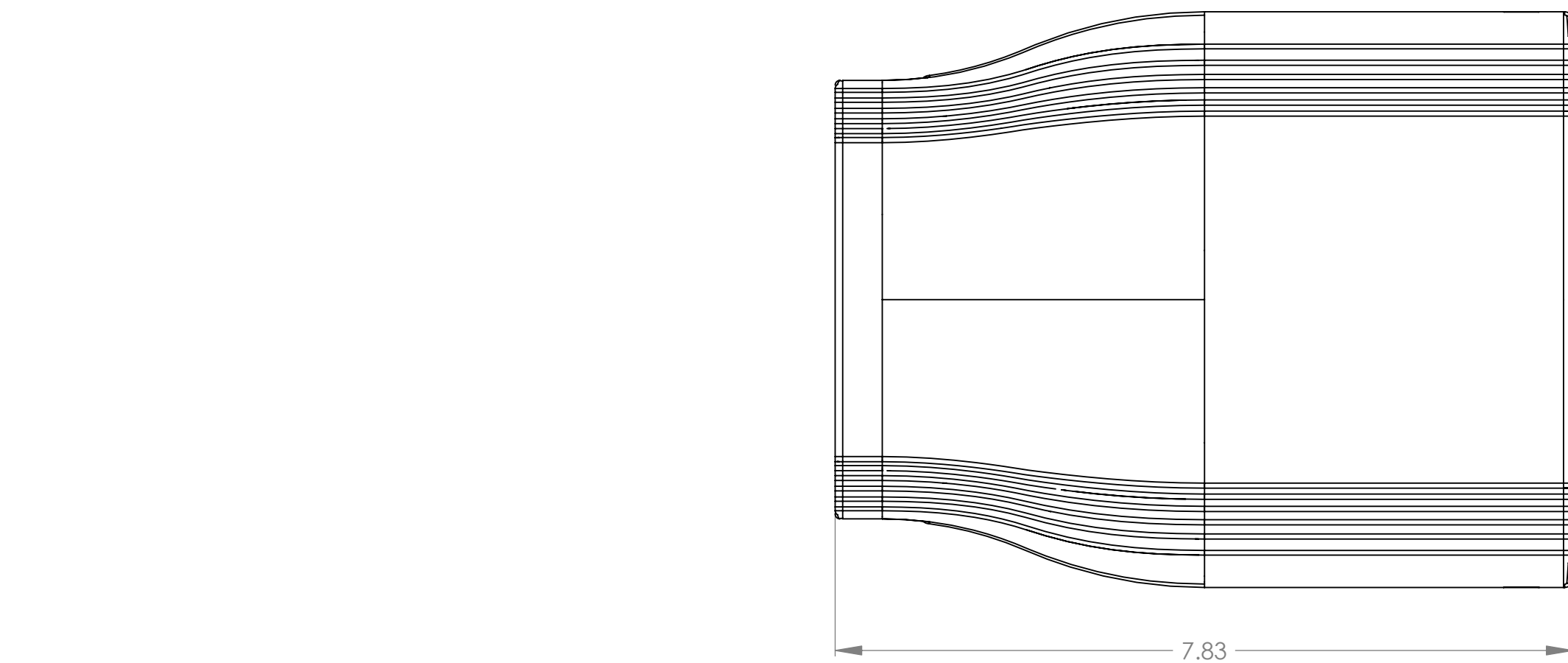
Contact us

Tel: +86-755-8981 8866 Fax: +86-755-8427 6832

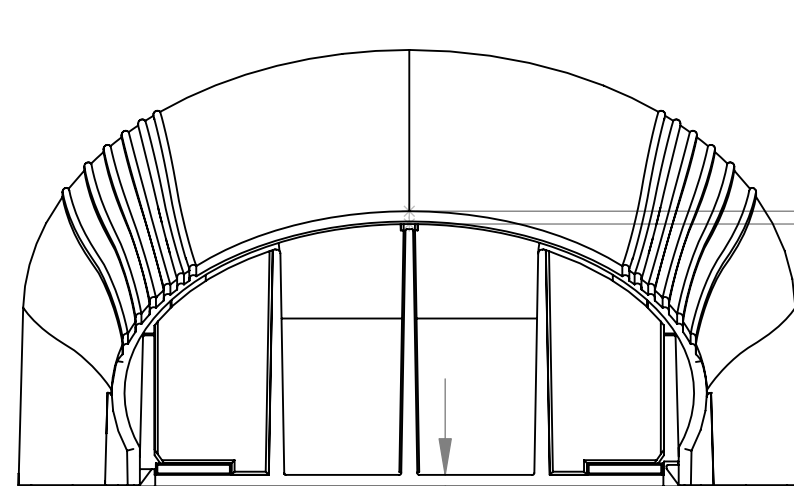
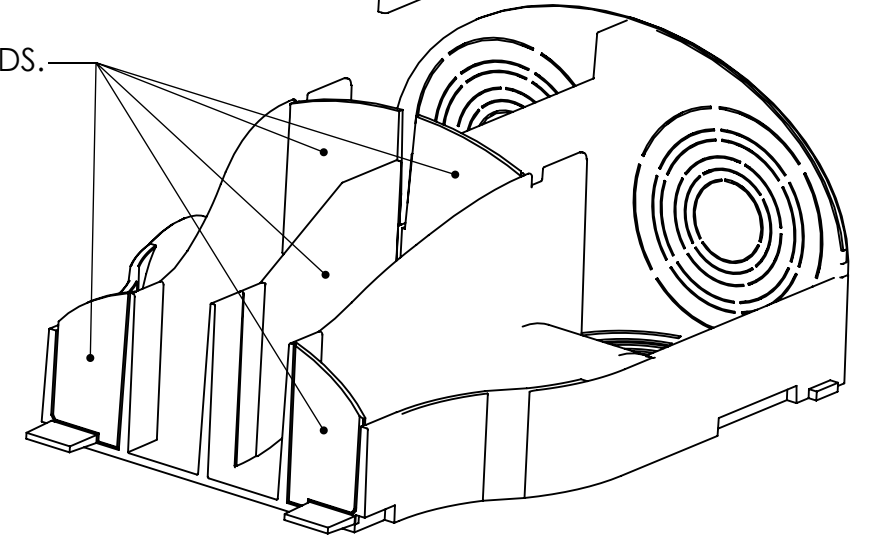
Email & Skype: info@chipsmall.com Web: www.chipsmall.com

Address: A1208, Overseas Decoration Building, #122 Zhenhua RD., Futian, Shenzhen, China

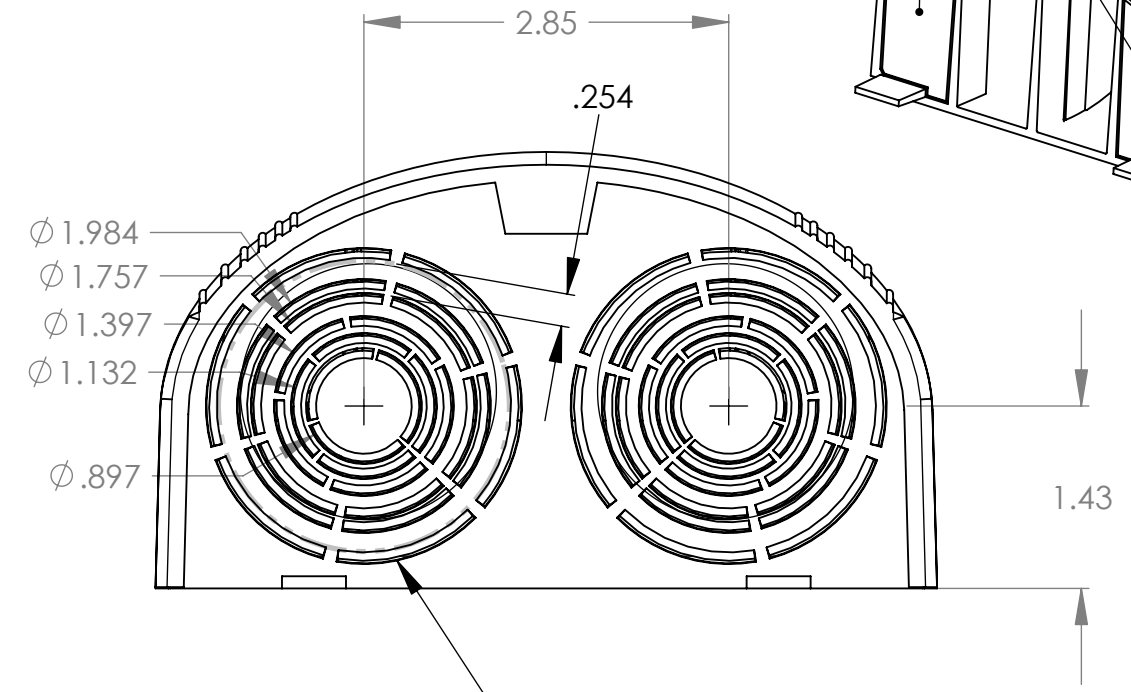
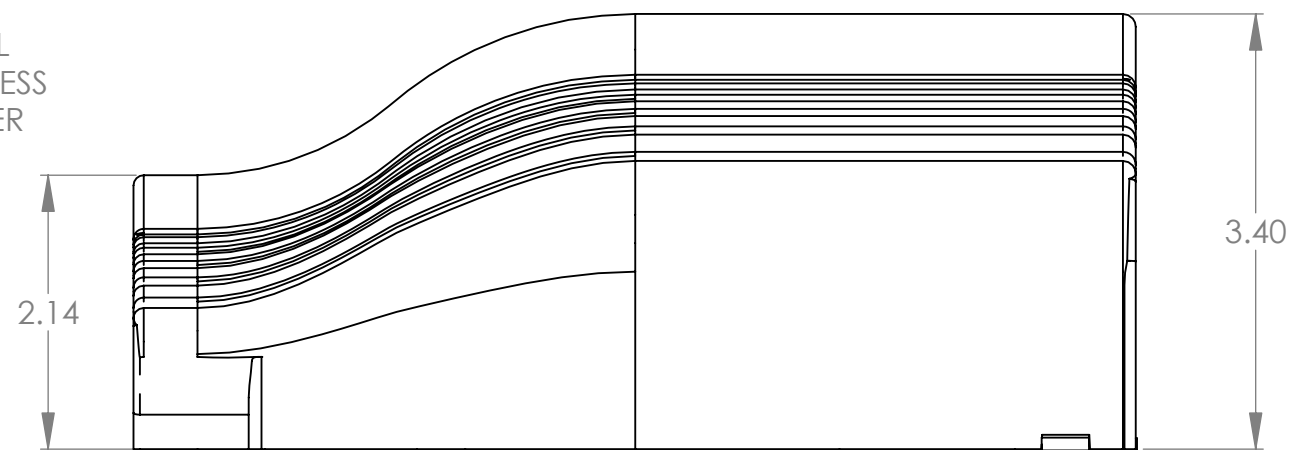




(5) KNOCKOUT PANELS FOR VARIOUS NEEDS.

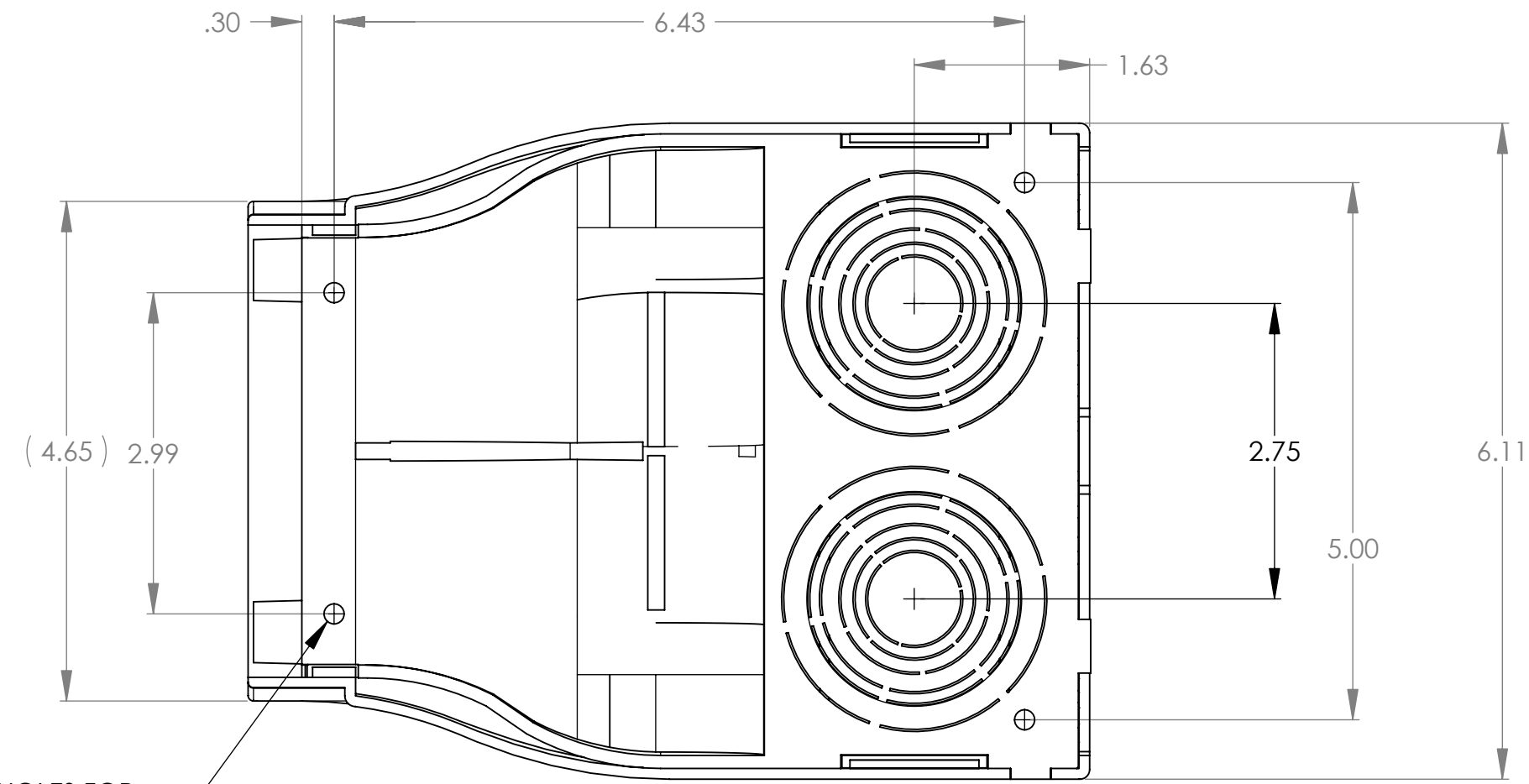


$\triangle 06$.10 WALL THICKNESS COVER



4 SETS OF KNOCKOUTS
2 ON THE BOTTOM AND 2 ON THE END

$\triangle 06$.09 WALL THICKNESS BASE



4X \varnothing .188 MOUNTING HOLES FOR #8 ROUND OR PAN HEAD SCREW

PART NO. DESCRIPTION

MCR_ENT

COLOR: CONTACT FACTORY FOR AVAILABLE COLORS.

INVENTORS

HellermannTyton®		
ALL PROPRIETARY RIGHTS IN THE SUBJECT MATTER SHOWN ON THIS DRAWING ARE EXCLUSIVE PROPERTY OF HELLERMANNTYTON		
name	date	city, state

NOTES

1. ACCEPTS ONE MCR RACEWAY
2. KNOCKOUTS FOR 1/2, 3/4, 1, 1 1/4, 1 1/2, 2 CONDUIT, FOUR PLACES.

REVISION

level	$\triangle 06$
by	KAC
date	06/26/2008
ECN #	011065
part level	-

DIMENSIONS

.XXXX = ±.0005
.XXX = ±.005
.XX = ±.01
.X = ±.03
∠ = ±0.5°
unless otherwise specified
units inches

PART

number	MCR_ENT	phase	Production
name ENTRANCE END FITTING MCR			
material	$\triangle 06$ HIPS HIGH IMPACT POLYSTYRENE		

DRAWING

format	C	CAD	SW 2006	scale	1:1.5
computer file name	DT2013146CST_06		previous drawing number		
drawn	MEF	checked	KAC	approved	
date	10/05/2000	checked	06/26/2008	approved	
type	Customer	sheet		1 of 1	
number	DT2013146CST				