



Chipsmall Limited consists of a professional team with an average of over 10 year of expertise in the distribution of electronic components. Based in Hongkong, we have already established firm and mutual-benefit business relationships with customers from,Europe,America and south Asia,supplying obsolete and hard-to-find components to meet their specific needs.

With the principle of "Quality Parts,Customers Priority,Honest Operation,and Considerate Service",our business mainly focus on the distribution of electronic components. Line cards we deal with include Microchip,ALPS,ROHM,Xilinx,Pulse,ON,Everlight and Freescale. Main products comprise IC,Modules,Potentiometer,IC Socket,Relay,Connector.Our parts cover such applications as commercial,industrial, and automotives areas.

We are looking forward to setting up business relationship with you and hope to provide you with the best service and solution. Let us make a better world for our industry!



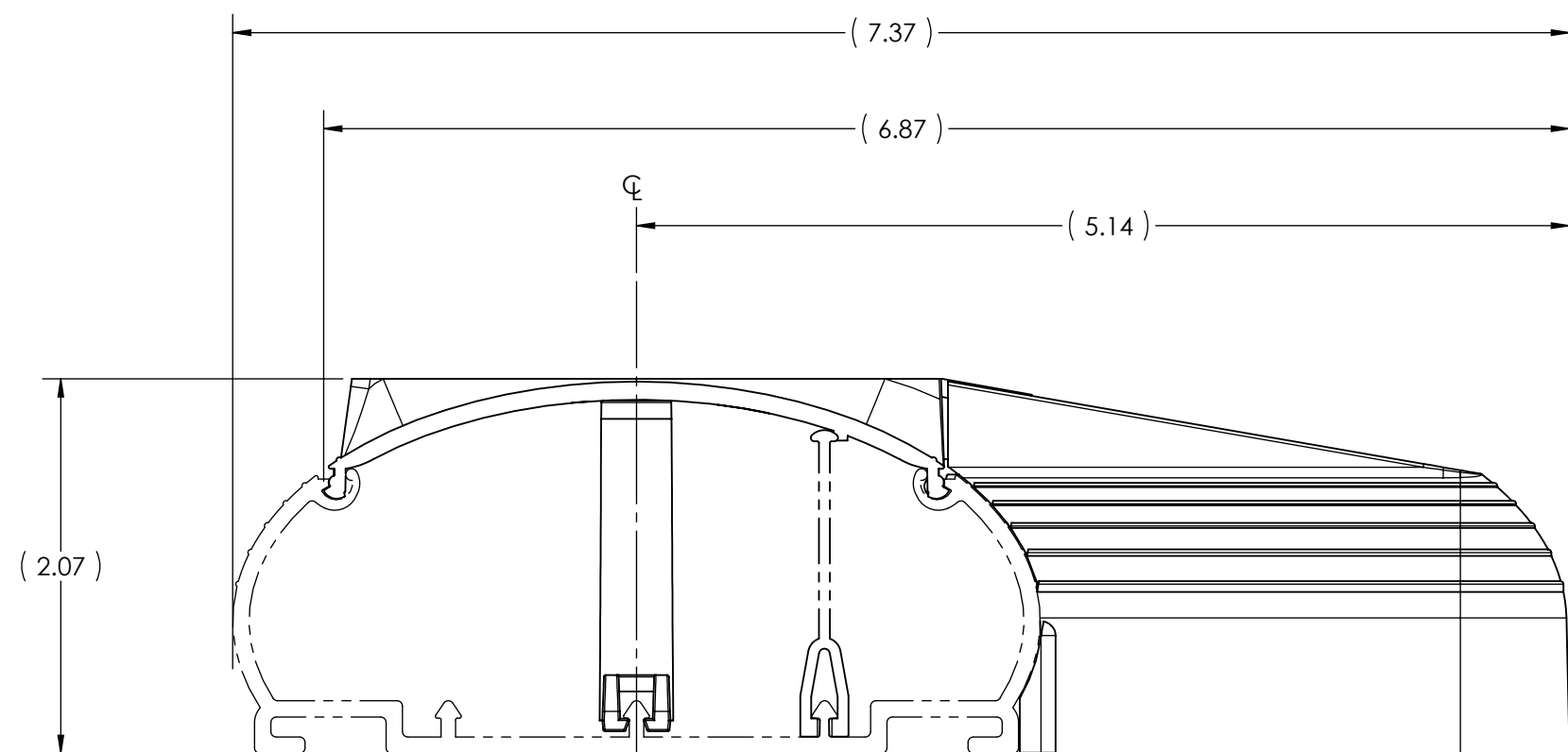
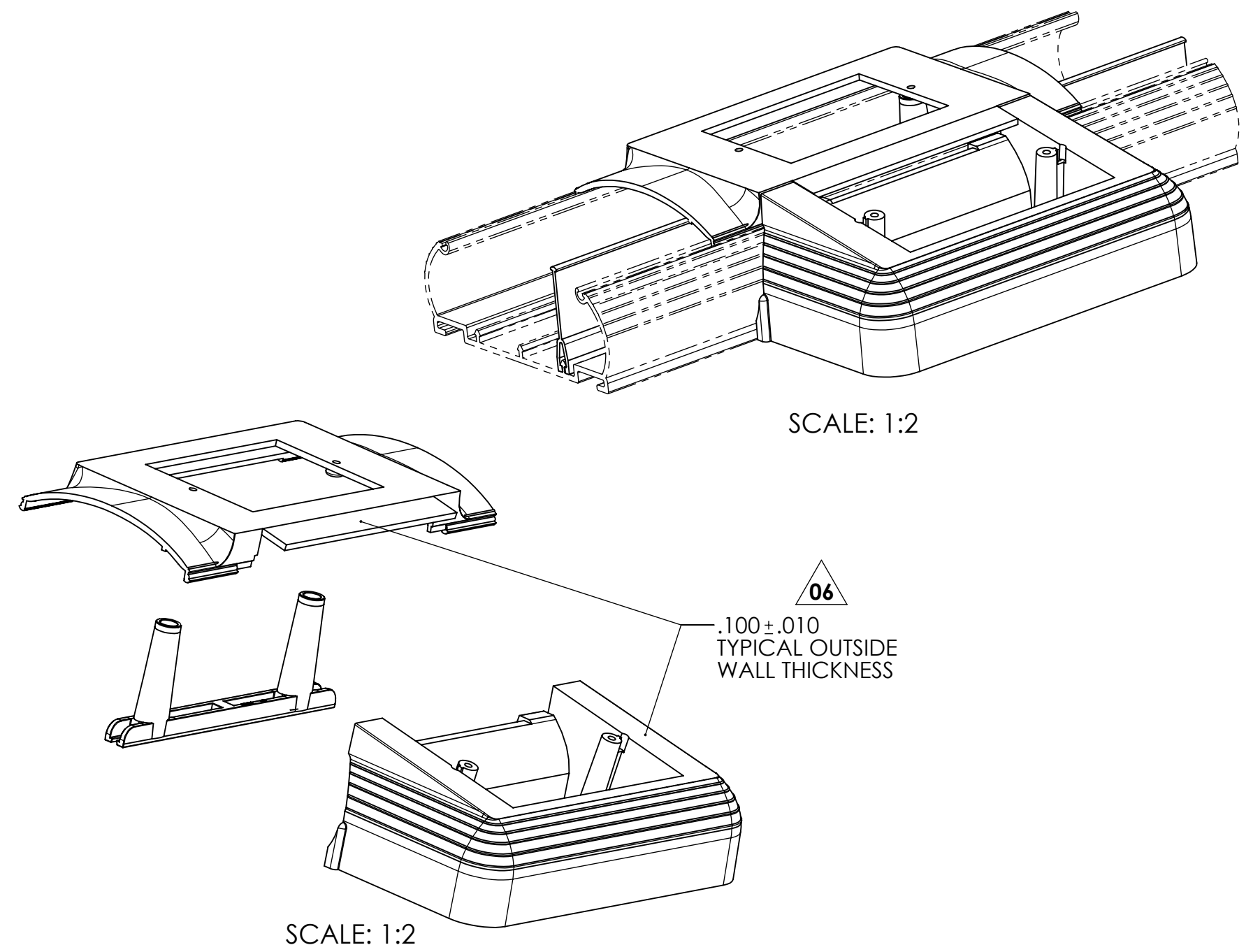
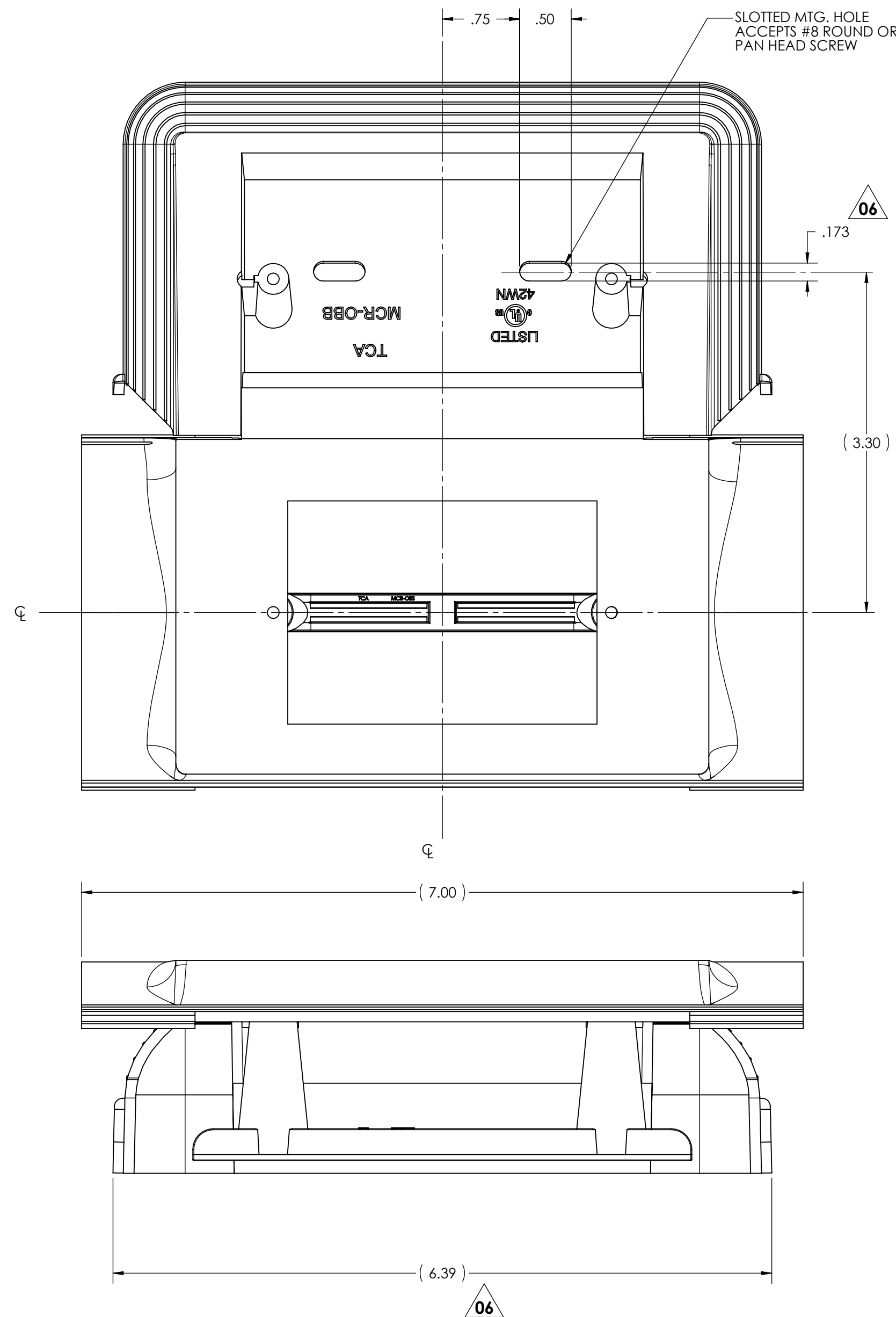
Contact us

Tel: +86-755-8981 8866 Fax: +86-755-8427 6832

Email & Skype: info@chipsmall.com Web: www.chipsmall.com

Address: A1208, Overseas Decoration Building, #122 Zhenhua RD., Futian, Shenzhen, China





PART NO. DESCRIPTION
COLOR: CONSULT FACTORY FOR AVAILABLE COLORS.

INVENTORS

HellermannTyton®
ALL PROPRIETARY RIGHTS IN THE SUBJECT MATTER SHOWN ON THIS DRAWING ARE EXCLUSIVE PROPERTY OF HELLERMANN TYTON

name	date	city, state

- NOTES**
- 1.) THE ASSEMBLY ACCEPTS (1) MCR RACEWAY
 - 2.) ALL DUPLICATE FIGURES ARE SYMETRICAL ABOUT ϕ

REVISION

level	06
by	MHT
date	04/19/2011
ECN #	011814
part level	-

TOLERANCES

.XXXX = ±.0005
.XXX = ±.005
.XX = ±.01
.X = ±.03
∠ = ±0.5°
unless otherwise specified

units inches

PART

number	MCR_-OB	phase	Production
name MULTI-CHANNEL RACEWAY OFFSET BOX			
material HIPS HIGH IMPACT POLYSTYRENE			

DRAWING

format	CAD	SW 2010	scale	1:1
version	N			
computer file name	DT2013136CST_06	previous drawing number		
drawn	MEF	checked	KAC	approved
date	01/04/1998	date	04/19/2011	approved
type	Customer	sheet	1 of 1	
number	DT2013136CST			