



Chipsmall Limited consists of a professional team with an average of over 10 year of expertise in the distribution of electronic components. Based in Hongkong, we have already established firm and mutual-benefit business relationships with customers from,Europe,America and south Asia,supplying obsolete and hard-to-find components to meet their specific needs.

With the principle of "Quality Parts,Customers Priority,Honest Operation,and Considerate Service",our business mainly focus on the distribution of electronic components. Line cards we deal with include Microchip,ALPS,ROHM,Xilinx,Pulse,ON,Everlight and Freescale. Main products comprise IC,Modules,Potentiometer,IC Socket,Relay,Connector.Our parts cover such applications as commercial,industrial, and automotives areas.

We are looking forward to setting up business relationship with you and hope to provide you with the best service and solution. Let us make a better world for our industry!



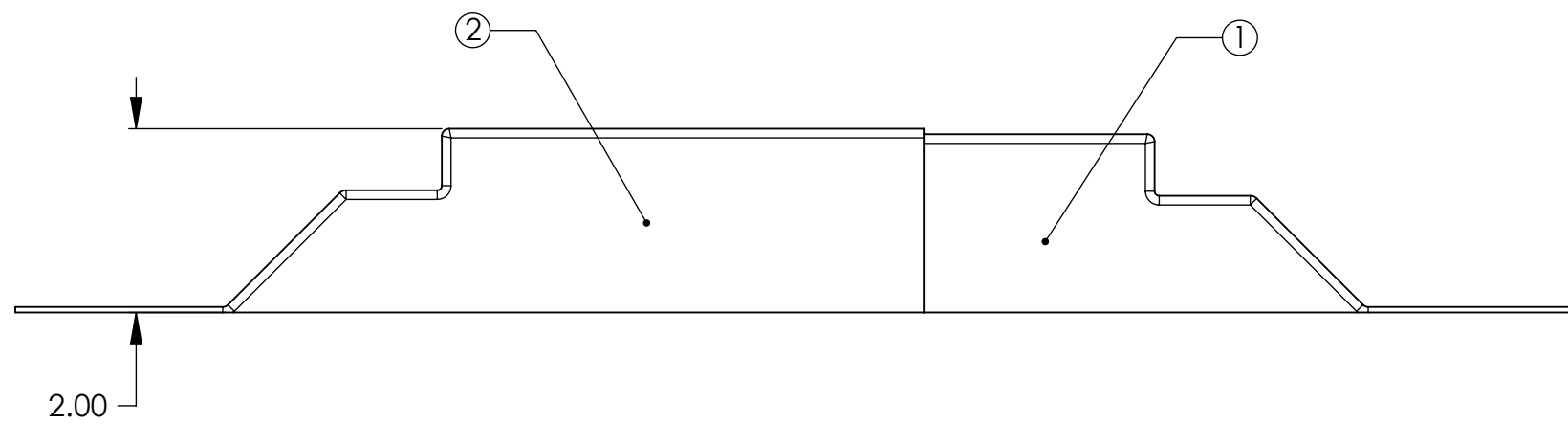
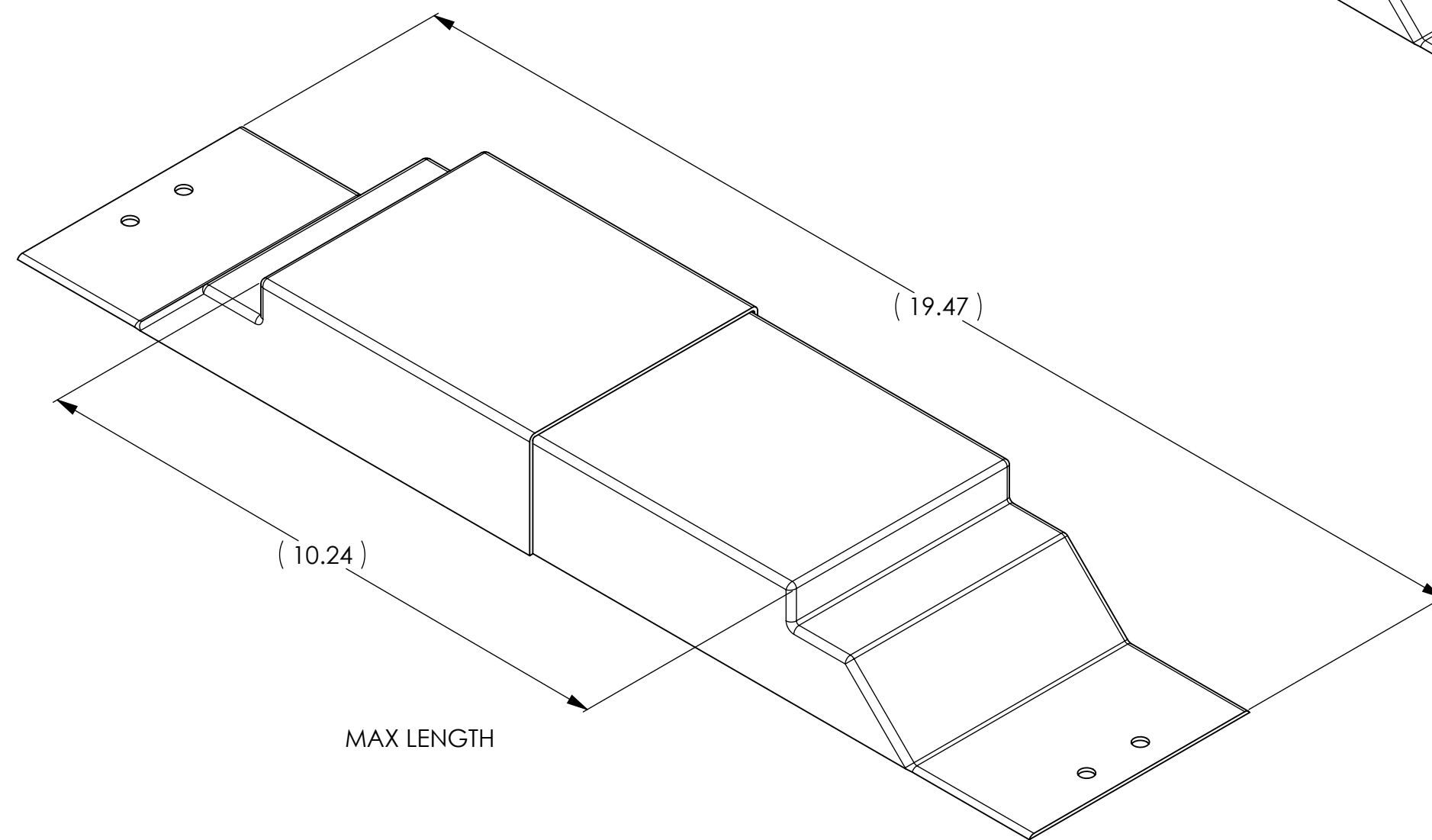
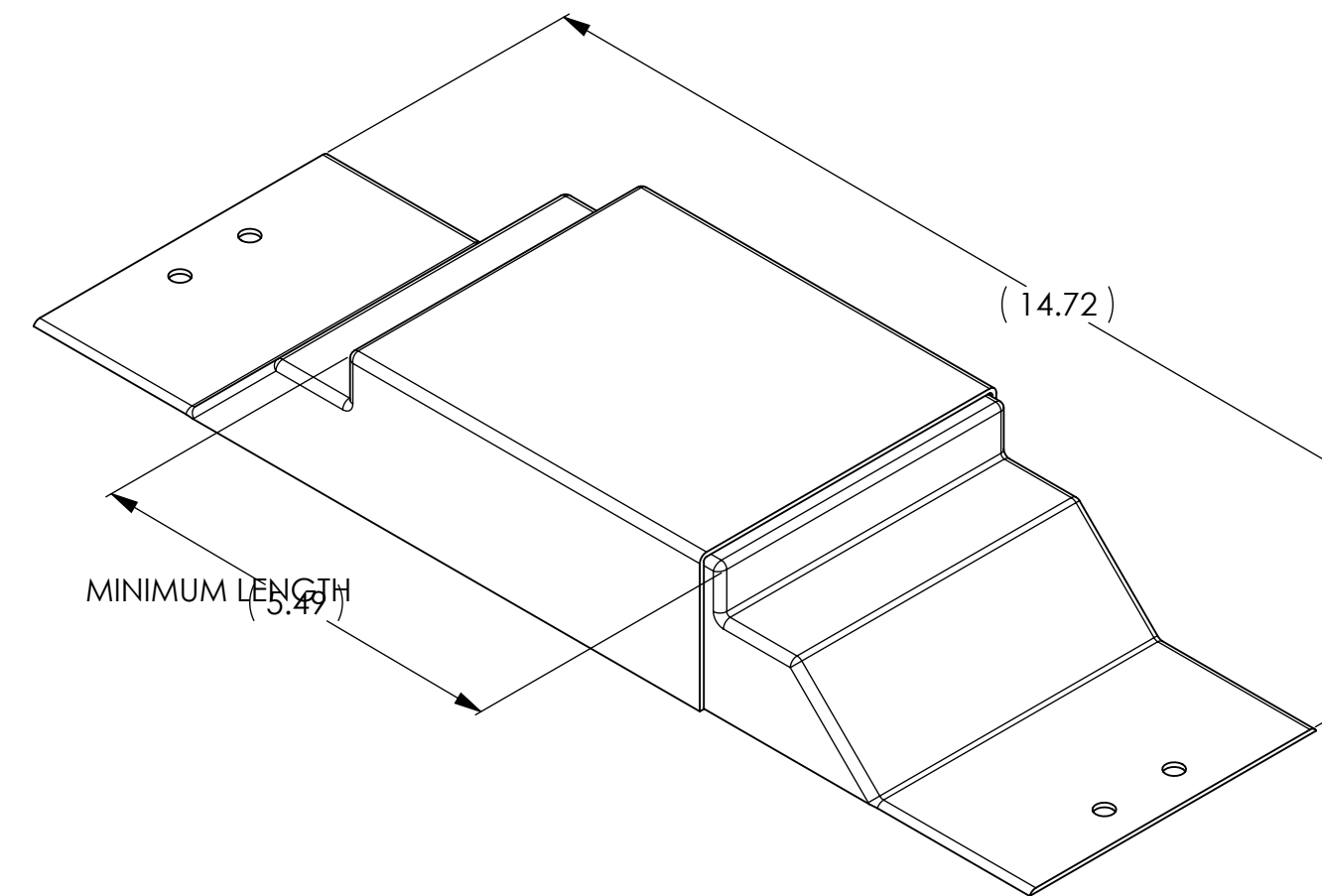
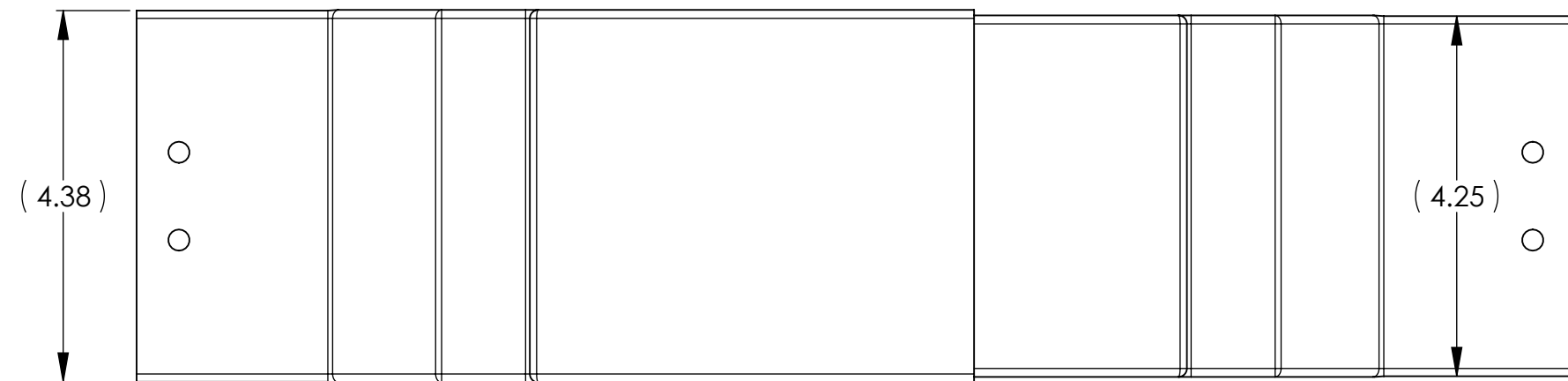
Contact us

Tel: +86-755-8981 8866 Fax: +86-755-8427 6832

Email & Skype: info@chipsmall.com Web: www.chipsmall.com

Address: A1208, Overseas Decoration Building, #122 Zhenhua RD., Futian, Shenzhen, China





REDUCED
NO SCALE

02

INVENTORS

HellermannTyton®

ALL PROPRIETARY RIGHTS IN THE SUBJECT MATTER SHOWN ON THIS DRAWING ARE EXCLUSIVE PROPERTY OF HELLERMANNITYTON

name date city, state

NOTES

PARTS FIT TOGETHER AND SLIDE WITHOUT BINDING.

REVISIONS

DR level	02
AW by	MEF
IN date	08/20/04
EG ECN #	010013
part level	-

DIMENSIONS

units inches

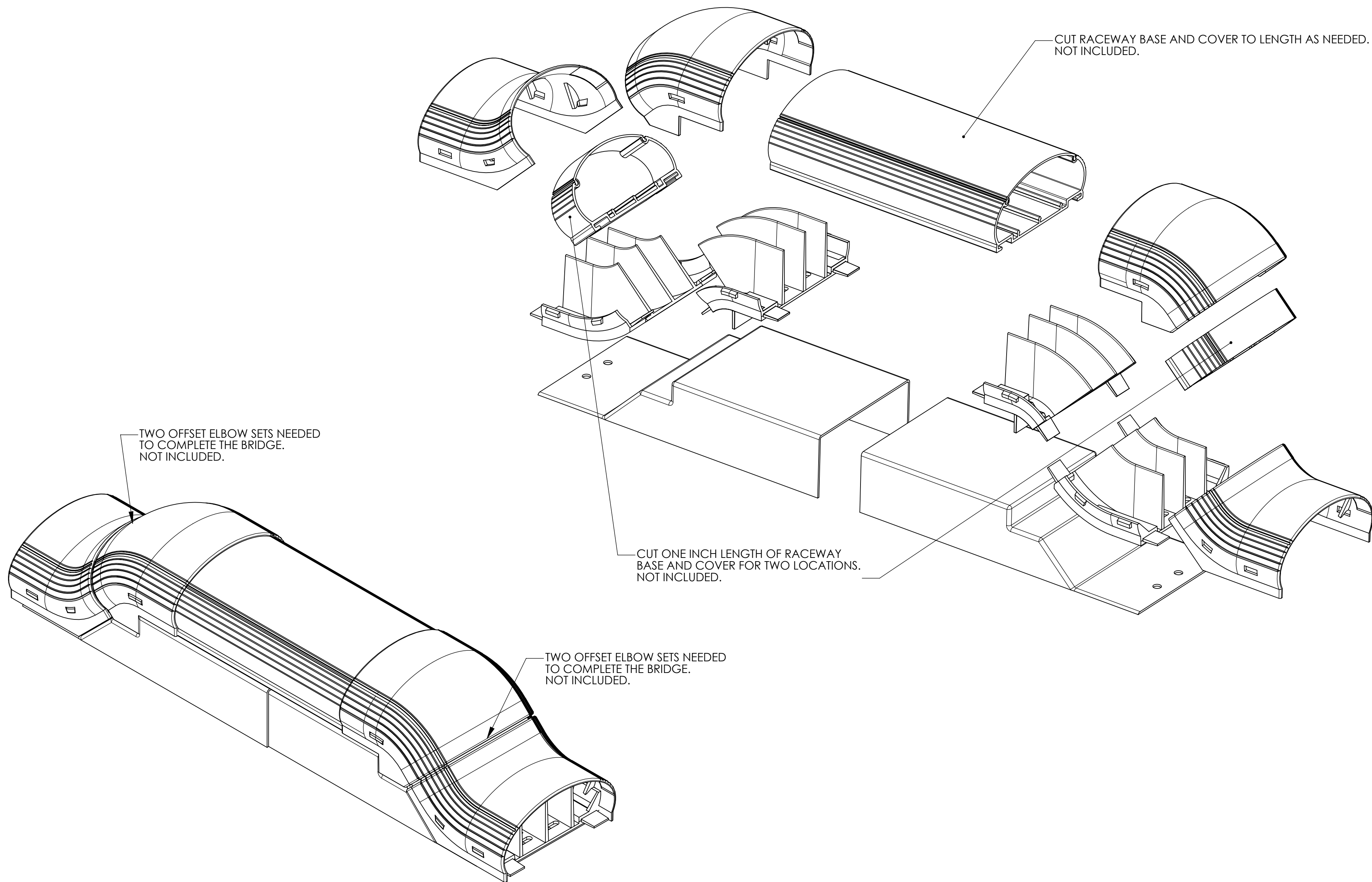
.xxxx = ± .0005
 .xxx = ± .005
 .xx = ± .01
 .x = ± .03
 < = ± 0.5°
 unless otherwise specified

PART

number	MCR-OEB	phase	PRODUCTION
name			
MCR OFFSET ELBOW BRIDGE			
material			
ABS COLOR: IVORY OR OFFICE WHITE			

DRAWING

format	version N	C	CAD	SW	scale	1:2
computer file number	DT2013304CST_01		previous number			
drawn	MEF	checked	Ken C.	approved		
date	03/08/02	checked	08/23/04	approved		
type	DETAIL		sheet 1 of 2			
number	DT2013304CST					



REDUCED
NO SCALE

02

HellermannTyton
 ALL PROPRIETARY RIGHTS IN THE SUBJECT MATTER SHOWN ON THIS DRAWING ARE EXCLUSIVE PROPERTY OF HELLERMANNTYTON

name	date	city, state

NOTES

REVISIONS	level	02
	by	MEF
	date	08/20/04
	ECN #	010013
	part level	-

DIMENSIONS	.xxxx = ±.0005
	.xxx = ±.005
	.xx = ±.01
	.x = ±.03
	∠ = ±0.5°
units	inches

PART	number	MCR-OEB	phase	PRODUCTION
	name	OFFSET ELBOW BRIDGE		
	material	ABS		

DRAWING	format	C	CAD	SW	scale	1:2
	computer file number	DT2013304CST_01		previous number		
	drawn	MEF	checked	Ken C.	approved	
	date	03/08/02	checked	08/23/04	approved	
	type	DETAIL		sheet	2 of 2	
number	DT2013304CST					