



Chipsmall Limited consists of a professional team with an average of over 10 year of expertise in the distribution of electronic components. Based in Hongkong, we have already established firm and mutual-benefit business relationships with customers from,Europe,America and south Asia,supplying obsolete and hard-to-find components to meet their specific needs.

With the principle of “Quality Parts,Customers Priority,Honest Operation,and Considerate Service”,our business mainly focus on the distribution of electronic components. Line cards we deal with include Microchip,ALPS,ROHM,Xilinx,Pulse,ON,Everlight and Freescale. Main products comprise IC,Modules,Potentiometer,IC Socket,Relay,Connector.Our parts cover such applications as commercial,industrial, and automotives areas.

We are looking forward to setting up business relationship with you and hope to provide you with the best service and solution. Let us make a better world for our industry!



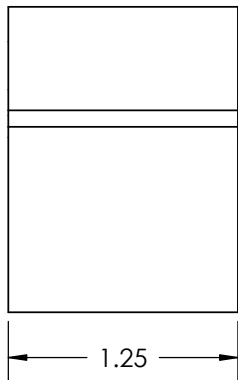
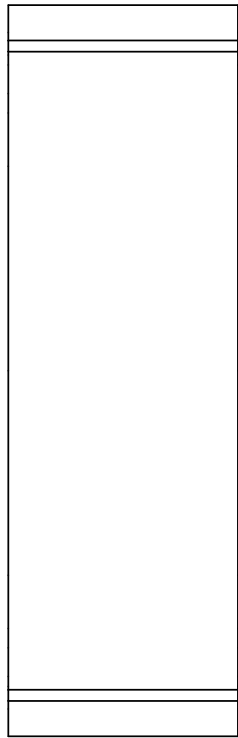
Contact us

Tel: +86-755-8981 8866 Fax: +86-755-8427 6832

Email & Skype: info@chipsmall.com Web: www.chipsmall.com

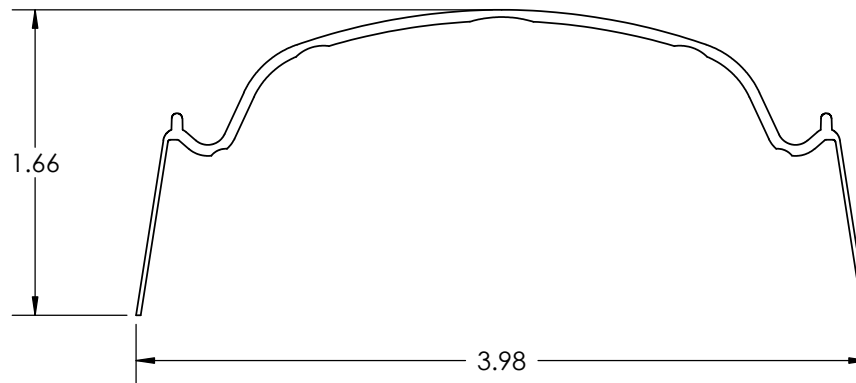
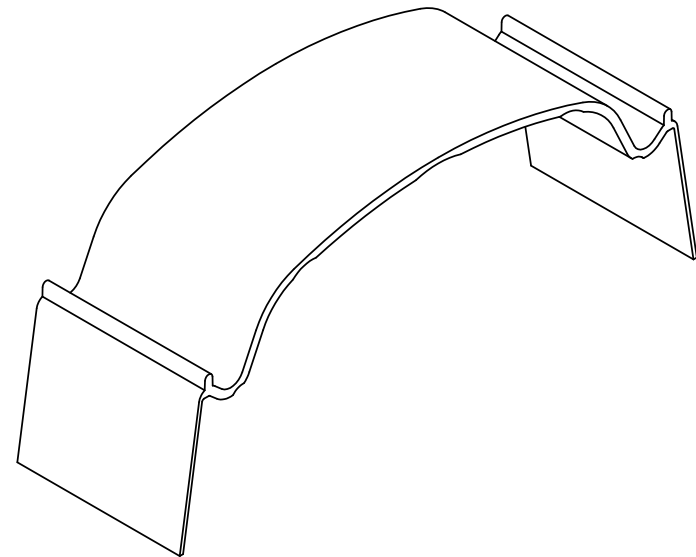
Address: A1208, Overseas Decoration Building, #122 Zhenhua RD., Futian, Shenzhen, China





NOTE:

1. THIS PART ASSEMBLES TO MCR RACEWAY BASE.



INVENTORS

HellermannTyton[®]

ALL PROPRIETARY RIGHTS IN THE SUBJECT MATTER SHOWN ON THIS DRAWING ARE EXCLUSIVE PROPERTY OF HELLERMANN TYTON

name	date	city, state

REVISION

level	01
by	AAC
date	06/28/2006
ECN #	010453
part level	A

DIMENSIONS

TOLE RANCES	.XXXX = ±.0005
	.XXX = ±.005
	.XX = ±.01
	.X = ±.03
	∠ = ±0.5°
	unless otherwise specified
units	inches

PART

number	MCRG-WR	phase	Production
name	MULTI-CHANNEL RACEWAY WIRE RETAINER		
material	HIPS - OFFICE WHITE HIGH IMPACT POLYSTYRENE		

DRAWING

format	AH	CAD	SW 2006	scale	1:1
computer file name	DT2013124CST_01		previous drawing number		
drawn	MEF	checked	KAC	approved	
	12/02/1998		06/28/2006		
type	Customer		sheet 1 of 1		
number	DT2013124CST				