



Chipsmall Limited consists of a professional team with an average of over 10 year of expertise in the distribution of electronic components. Based in Hongkong, we have already established firm and mutual-benefit business relationships with customers from,Europe,America and south Asia,supplying obsolete and hard-to-find components to meet their specific needs.

With the principle of "Quality Parts,Customers Priority,Honest Operation,and Considerate Service",our business mainly focus on the distribution of electronic components. Line cards we deal with include Microchip,ALPS,ROHM,Xilinx,Pulse,ON,Everlight and Freescale. Main products comprise IC,Modules,Potentiometer,IC Socket,Relay,Connector.Our parts cover such applications as commercial,industrial, and automotives areas.

We are looking forward to setting up business relationship with you and hope to provide you with the best service and solution. Let us make a better world for our industry!



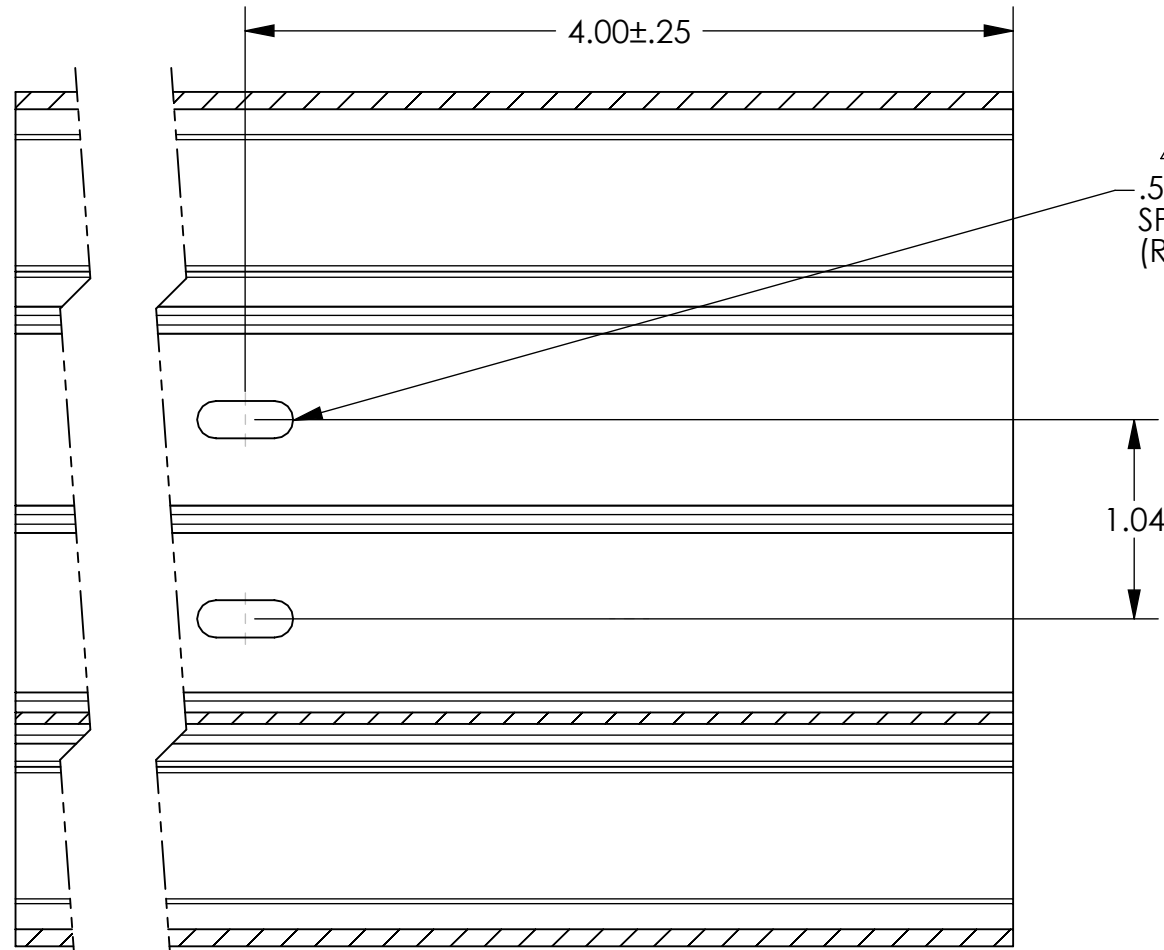
Contact us

Tel: +86-755-8981 8866 Fax: +86-755-8427 6832

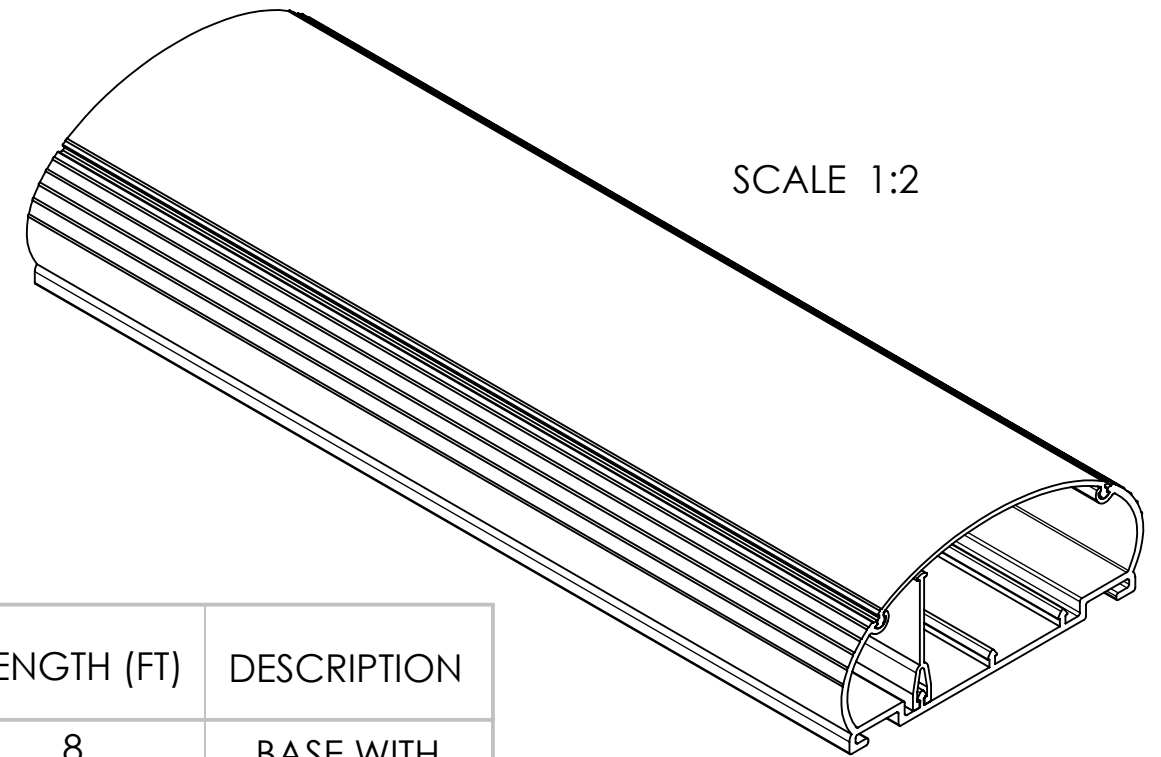
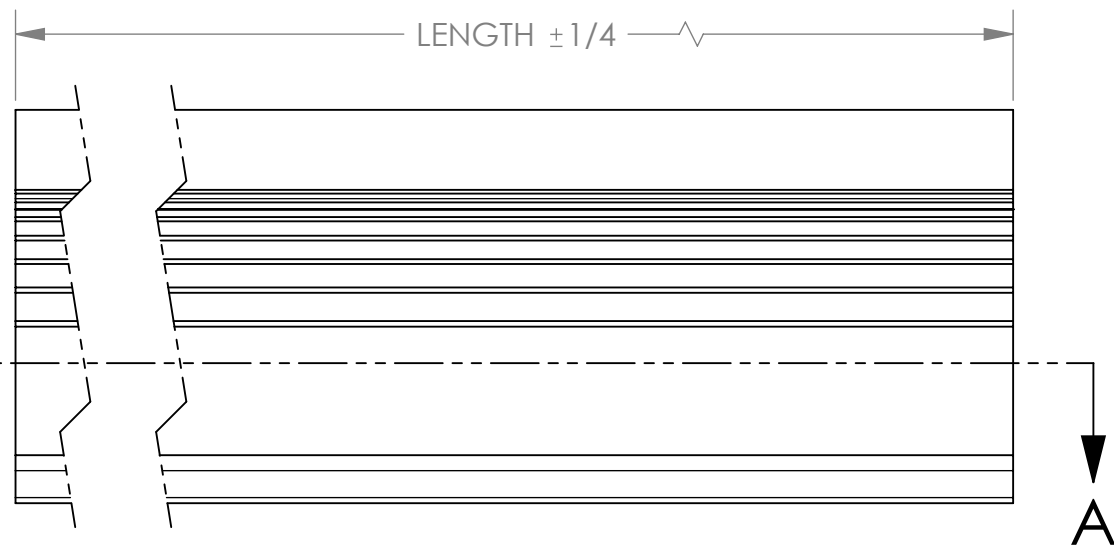
Email & Skype: info@chipsmall.com Web: www.chipsmall.com

Address: A1208, Overseas Decoration Building, #122 Zhenhua RD., Futian, Shenzhen, China



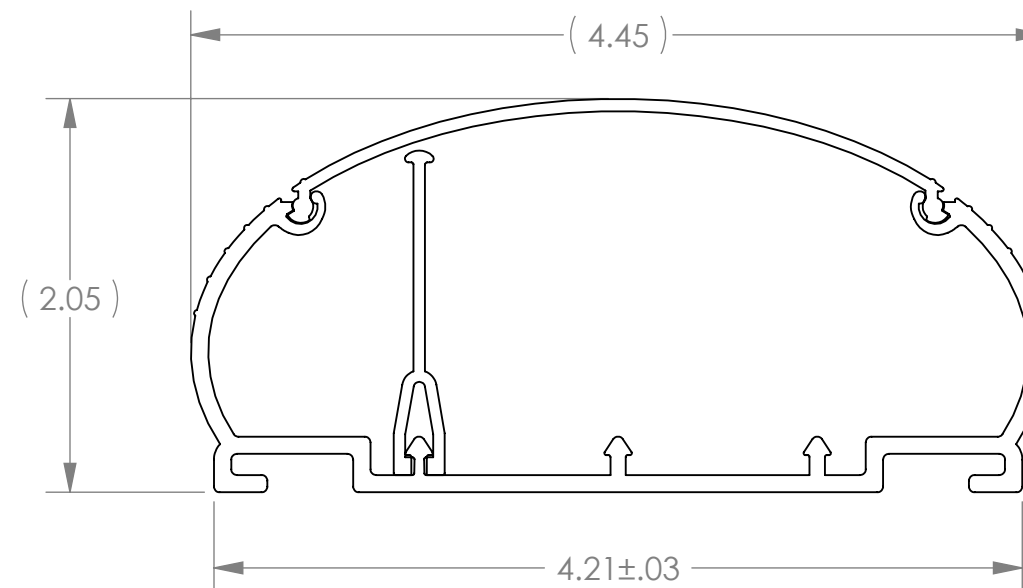


SECTION A-A



SCALE 1:2

PART NUMBER	LENGTH (FT)	DESCRIPTION
MCRX-BS8	8	BASE WITH SIDE DIVIDER
MCRX-BS10	10	
MCRX-C8	8	COVER
MCRX-C10	10	



PART NO. DESCRIPTION

MCRX -xxx

COLOR: CONTACT FACTORY FOR AVAILABLE COLORS.

INVENTORS

HellermannTyton®

ALL PROPRIETARY RIGHTS IN THE SUBJECT MATTER SHOWN ON THIS DRAWING ARE EXCLUSIVE PROPERTY OF HELLERMANNTYTON

name	date	city,	state

NOTES

1) DIVIDER AND COVER NOT FIXED IN PLACE (AS SHOWN) WHEN SHIPPED

REVISION

level	03
by	AAC
date	10/15/2010
ECN #	011660
part level	-

DIMENSIONS

.XXXX	= ±.0005
.XXX	= ±.005
.XX	= ±.02
.X	= ±.03
∠	= ±0.5°
unless otherwise specified	
units	inches

PART

number	SEE CHART	phase	Production
name	MULTI-CHANNEL RACEWAY WITH SIDE DIVIDER		
material	PVC		

DRAWING

format	B	CAD	SW 2007	scale	1:1
version N					
computer file number	DT2013301CST_03		previous number		
drawn	M.E.F.	checked	KAC	approved	
date	04/01/2001	checked	10/15/2010	approved	
type	Customer		sheet	1 of 1	
number	DT2013301CST				