



Chipsmall Limited consists of a professional team with an average of over 10 year of expertise in the distribution of electronic components. Based in Hongkong, we have already established firm and mutual-benefit business relationships with customers from,Europe,America and south Asia,supplying obsolete and hard-to-find components to meet their specific needs.

With the principle of "Quality Parts,Customers Priority,Honest Operation,and Considerate Service",our business mainly focus on the distribution of electronic components. Line cards we deal with include Microchip,ALPS,ROHM,Xilinx,Pulse,ON,Everlight and Freescale. Main products comprise IC,Modules,Potentiometer,IC Socket,Relay,Connector.Our parts cover such applications as commercial,industrial, and automotives areas.

We are looking forward to setting up business relationship with you and hope to provide you with the best service and solution. Let us make a better world for our industry!



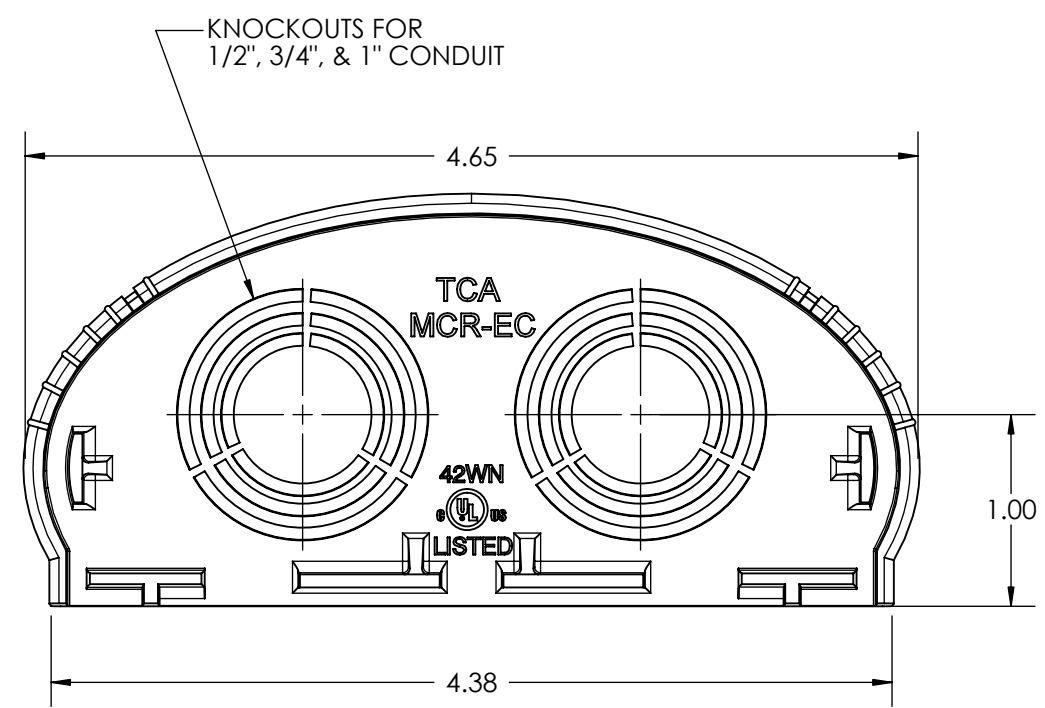
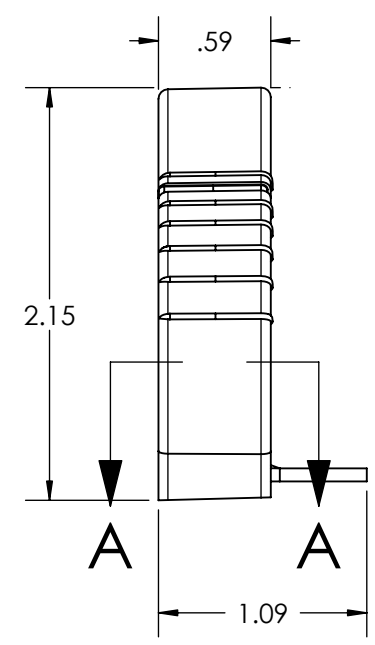
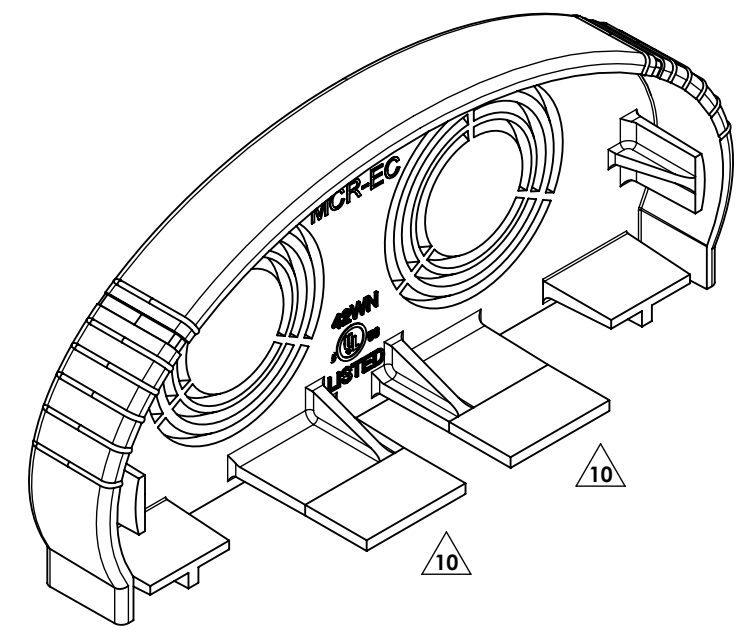
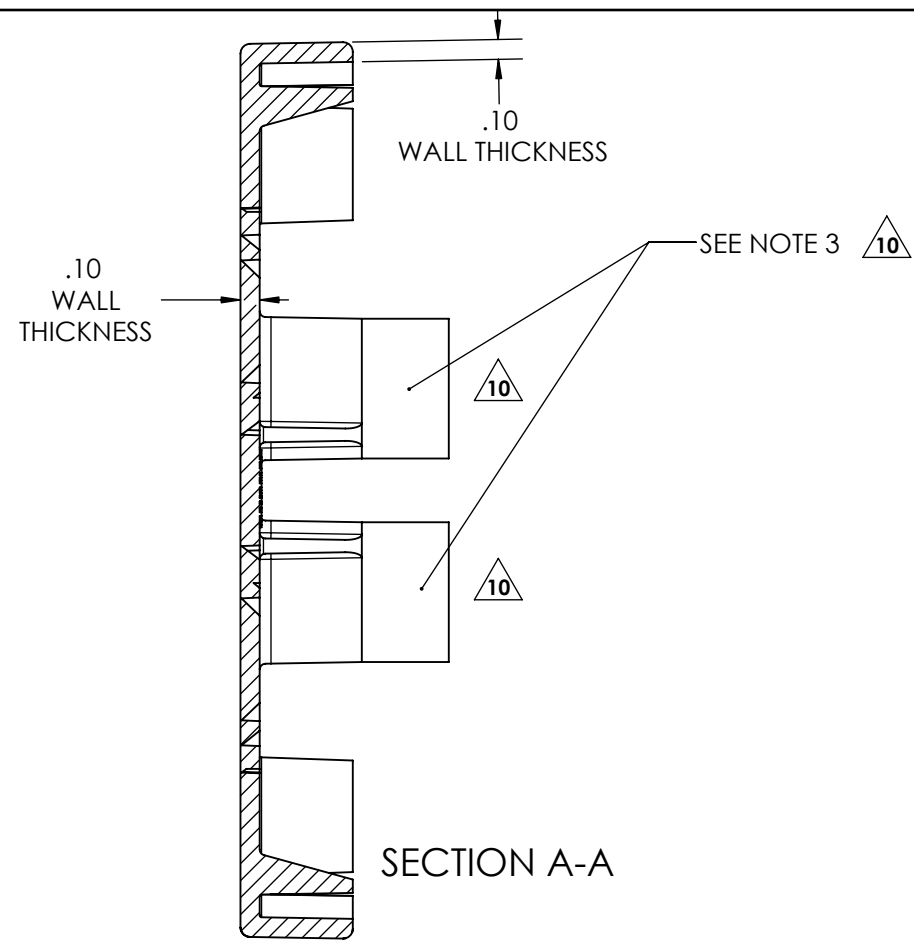
## Contact us

Tel: +86-755-8981 8866 Fax: +86-755-8427 6832

Email & Skype: info@chipsmall.com Web: www.chipsmall.com

Address: A1208, Overseas Decoration Building, #122 Zhenhua RD., Futian, Shenzhen, China





PART NO. DESCRIPTION

MCR -EC

COLOR: CONTACT FACTORY FOR AVAILABLE COLORS.

- NOTES**
1. THIS ASSEMBLY ACCEPTS (1) MCR RACEWAY.
  2. ALL DUPLICATE FIGURES ARE SYMETRICAL ABOUT  $\phi$ .
  3. FOLLOW ASSEMBLY INSTRUCTIONS USING #8 ROUND OR PAN HEAD SCREW. 10

**REVISION**

level	10
by	AAC
date	07/30/2008
ECN #	011088
part level	C

**TOLERANCES**

.XXXX	= ±.0005
.XXX	= ±.005
.XX	= ±.01
.X	= ±.03
∠	= ±0.5°
unless otherwise specified	
units	inches

**PART**

number	MCR_-EC	phase	Production
name END CAP MULTI-CHANNEL RACEWAY			
material HIPS HIGH IMPACT POLYSTYRENE			

**DRAWING**

format	B	CAD	SW 2007	scale	1:1
version N					
computer file number	DT2013123CST_10		previous number		
drawn	MEF	checked	KAC	approved	
	12/02/1998		07/30/2008		
type	Customer			sheet 1 of 1	
number	DT2013123CST				

**HellermannTyton®**

ALL PROPRIETARY RIGHTS IN THE SUBJECT MATTER SHOWN ON THIS DRAWING ARE EXCLUSIVE PROPERTY OF HELLERMANNTYTON

name	date	city,	state
M. Federspiel	09/16/1998	West Bend,	WI

**INVENTORS**