



Chipsmall Limited consists of a professional team with an average of over 10 year of expertise in the distribution of electronic components. Based in Hongkong, we have already established firm and mutual-benefit business relationships with customers from,Europe,America and south Asia,supplying obsolete and hard-to-find components to meet their specific needs.

With the principle of “Quality Parts,Customers Priority,Honest Operation,and Considerate Service”,our business mainly focus on the distribution of electronic components. Line cards we deal with include Microchip,ALPS,ROHM,Xilinx,Pulse,ON,Everlight and Freescale. Main products comprise IC,Modules,Potentiometer,IC Socket,Relay,Connector.Our parts cover such applications as commercial,industrial, and automotives areas.

We are looking forward to setting up business relationship with you and hope to provide you with the best service and solution. Let us make a better world for our industry!



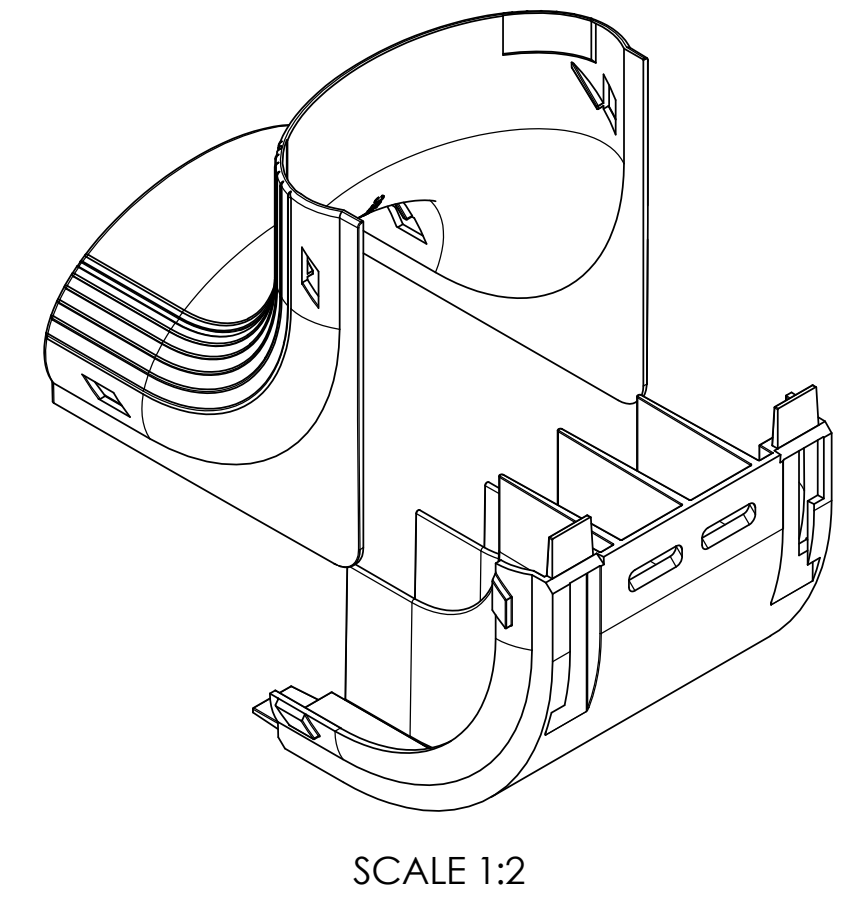
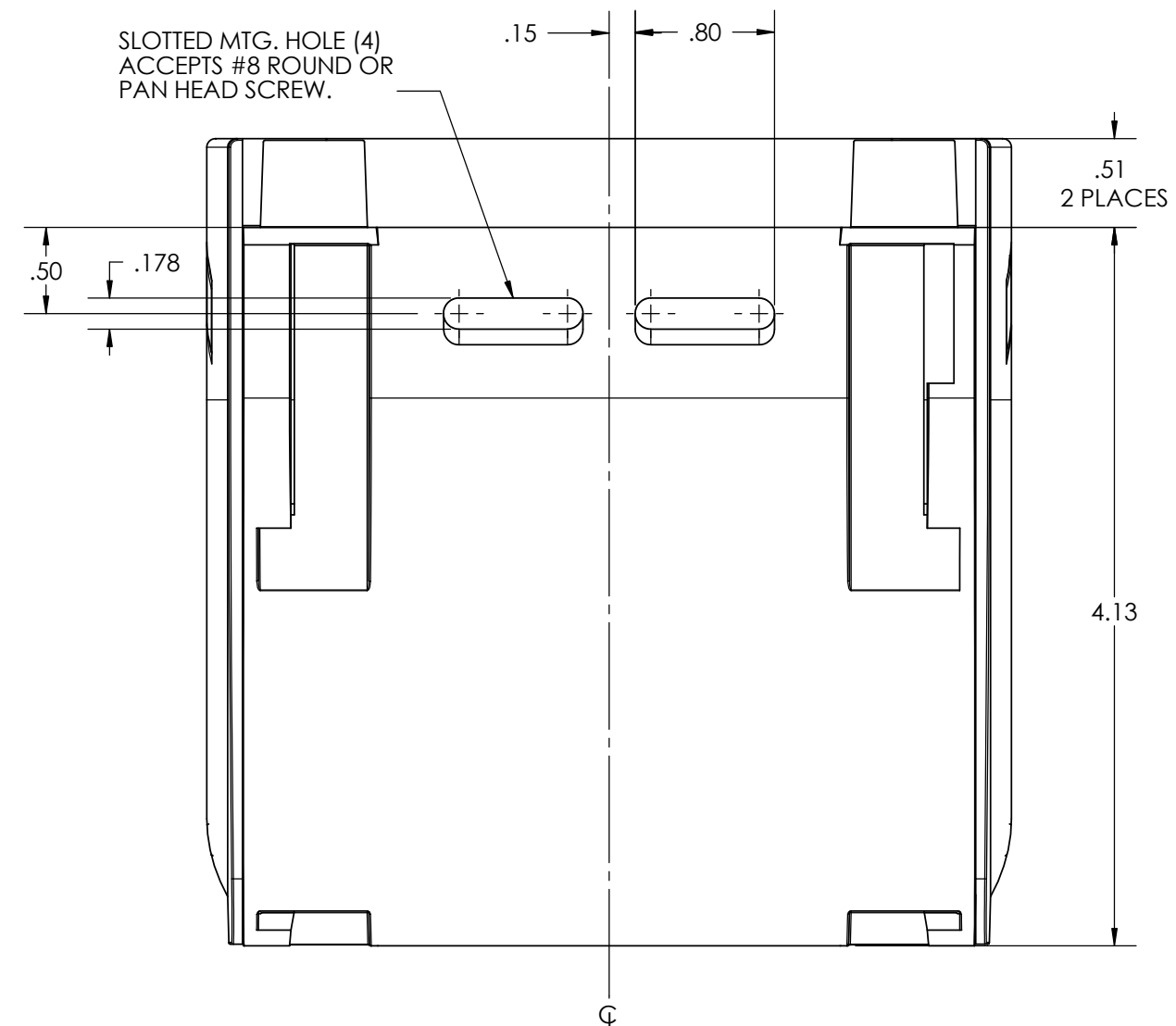
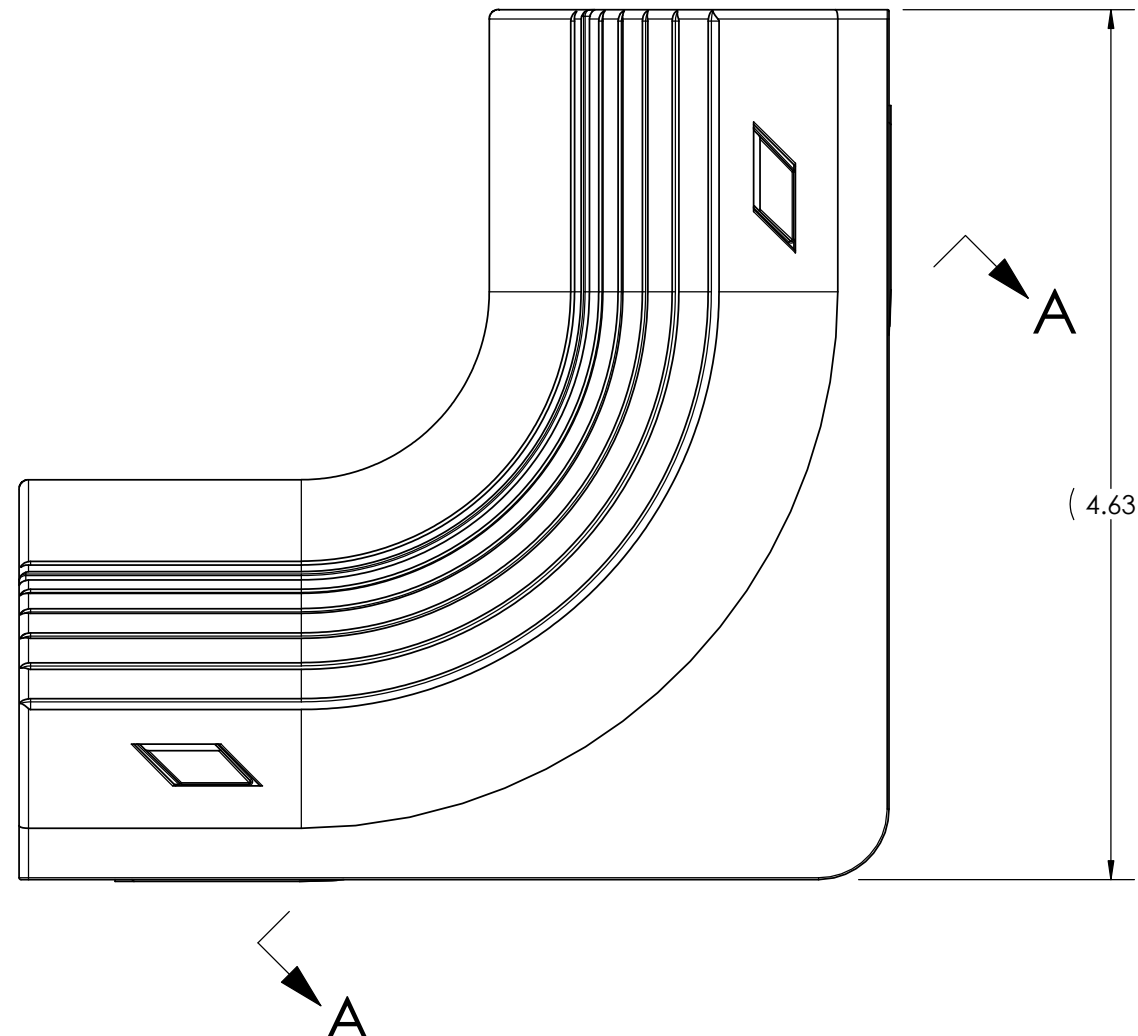
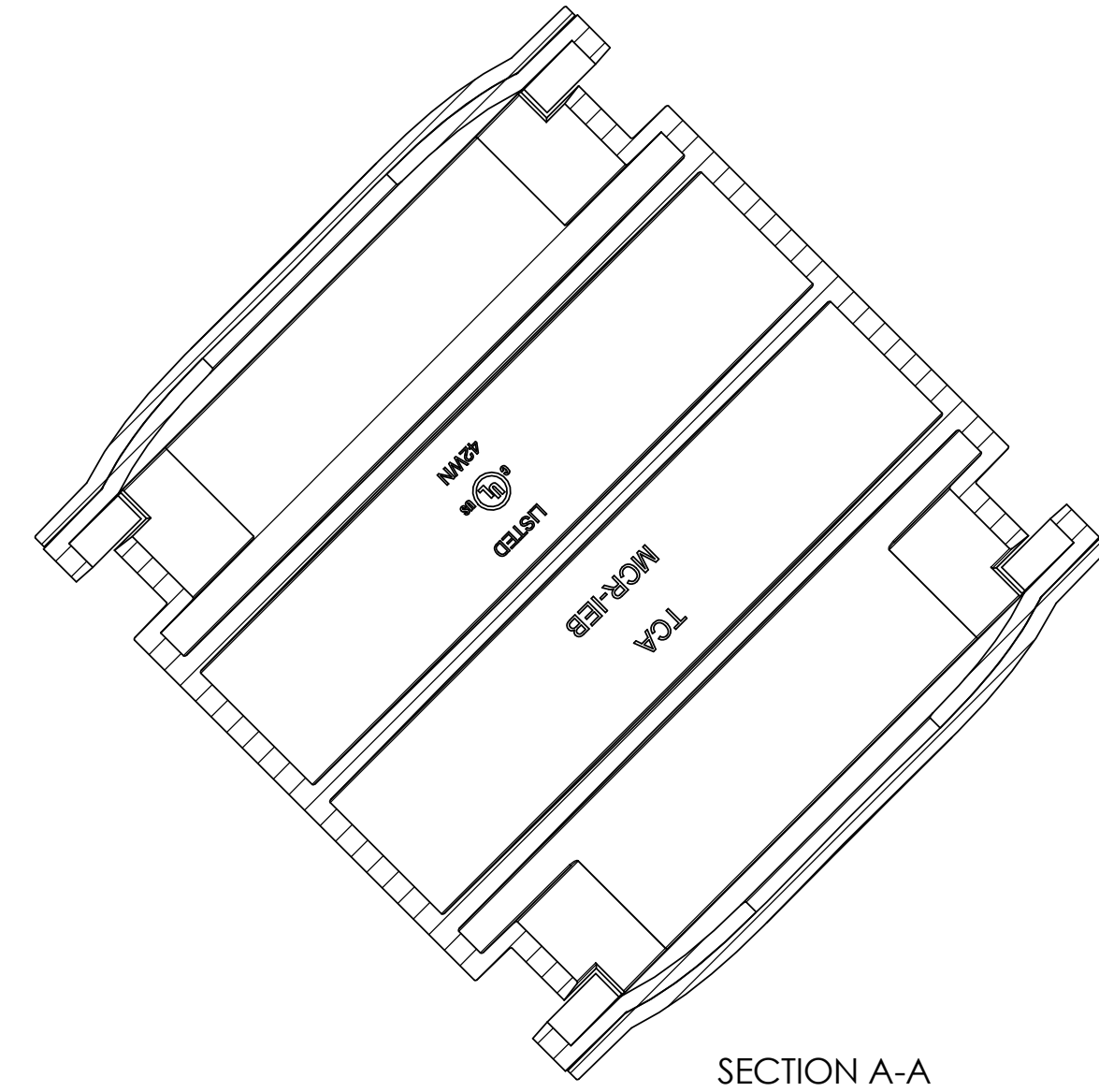
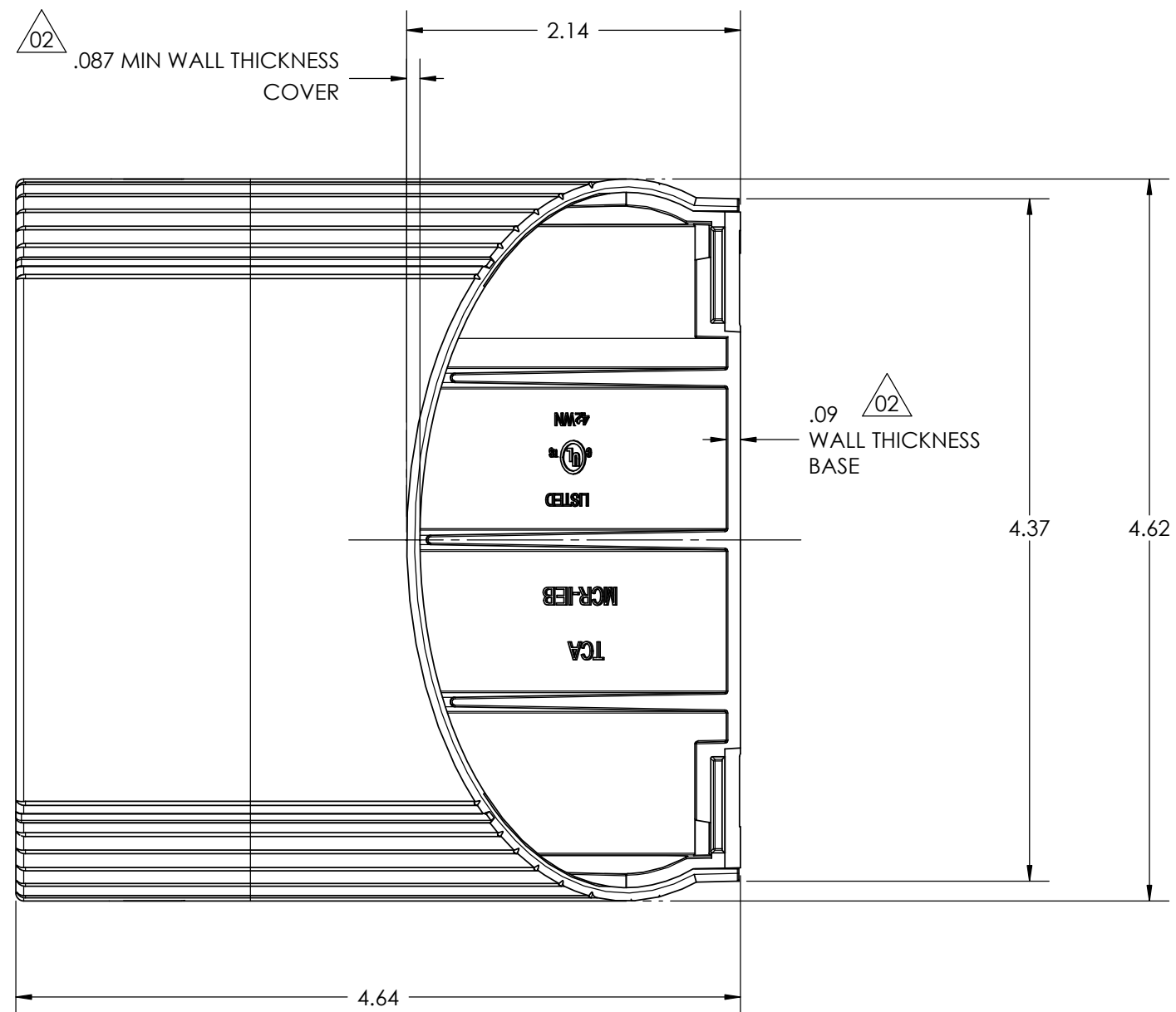
## Contact us

Tel: +86-755-8981 8866 Fax: +86-755-8427 6832

Email & Skype: info@chipsmall.com Web: www.chipsmall.com

Address: A1208, Overseas Decoration Building, #122 Zhenhua RD., Futian, Shenzhen, China





PART NO. DESCRIPTION  
MCR\_-IE  
COLOR: CONTACT FACTORY FOR AVAILABLE COLORS.

**HellermannTyton**  
ALL PROPRIETARY RIGHTS IN THE SUBJECT MATTER SHOWN ON THIS DRAWING ARE EXCLUSIVE PROPERTY OF HELLERMANN TYTON

name	date	city, state

- NOTES**
1. THIS ASSEMBLY ACCEPTS (2) MCR RACEWAYS
  2. ALL DUPLICATE FIGURES ARE SYMMETRICAL ABOUT  $\phi$ .

**REVISION**

D level	$\Delta$ 02
by	AAC
date	06/28/2006
ECN #	010453
part level	-

**TOLERANCES**

.XXXX	= ±.0005
.XXX	= ±.005
.XX	= ±.01
.X	= ±.03
$\angle$	= ±0.5°

unless otherwise specified  
units inches

**PART**

number	MCR_-IE	phase	Production
name	MULTI-CHANNEL RACEWAY INTERNAL ELBOW		
material	HIPS HIGH IMPACT POLYSTYRENE		

**DRAWING**

format version N	C	CAD	SW 2006	scale	1:1
computer file name	DT2013118CST_02				
drawn	MEF	checked	KAC	approved	
date	12/02/1998	date	06/28/2006	approved	
type	Customer	sheet	1 of 1		
number	<b>DT2013118CST</b>				