



Chipsmall Limited consists of a professional team with an average of over 10 year of expertise in the distribution of electronic components. Based in Hongkong, we have already established firm and mutual-benefit business relationships with customers from,Europe,America and south Asia,supplying obsolete and hard-to-find components to meet their specific needs.

With the principle of "Quality Parts,Customers Priority,Honest Operation,and Considerate Service",our business mainly focus on the distribution of electronic components. Line cards we deal with include Microchip,ALPS,ROHM,Xilinx,Pulse,ON,Everlight and Freescale. Main products comprise IC,Modules,Potentiometer,IC Socket,Relay,Connector.Our parts cover such applications as commercial,industrial, and automotives areas.

We are looking forward to setting up business relationship with you and hope to provide you with the best service and solution. Let us make a better world for our industry!



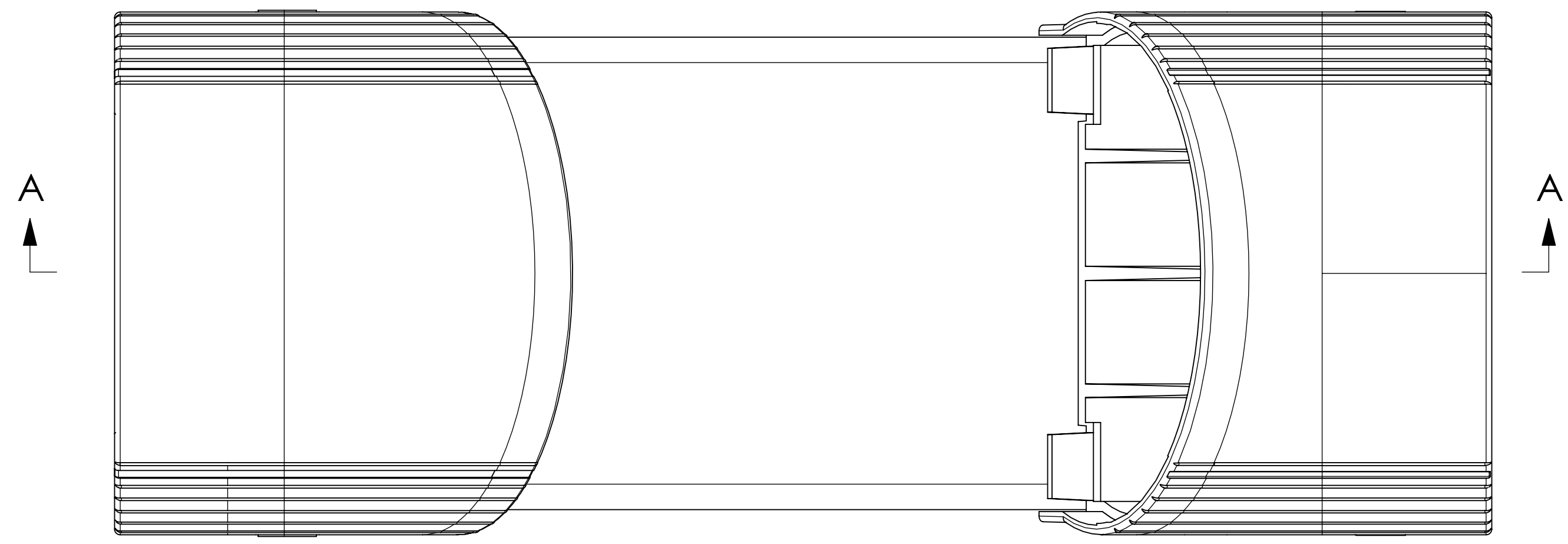
Contact us

Tel: +86-755-8981 8866 Fax: +86-755-8427 6832

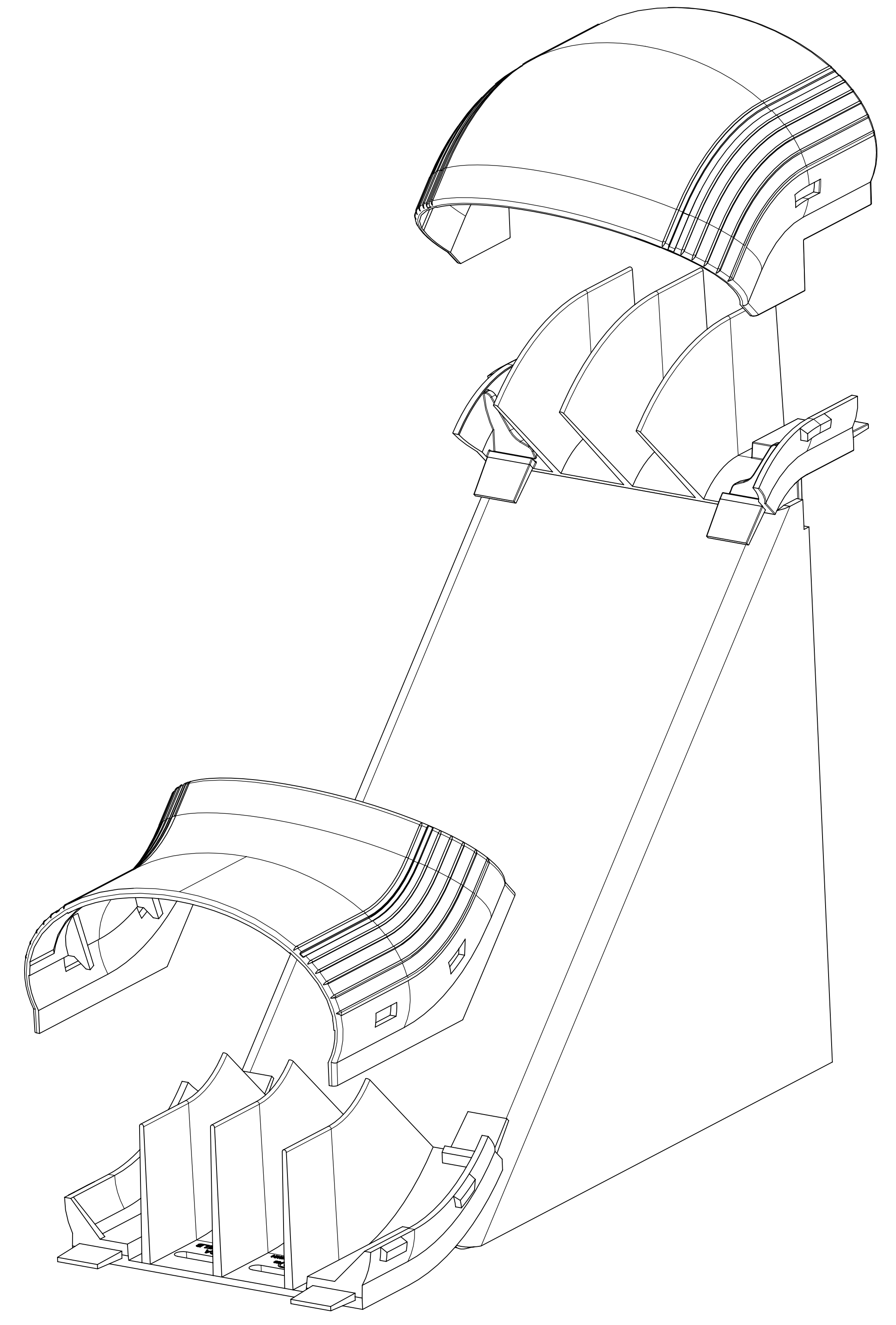
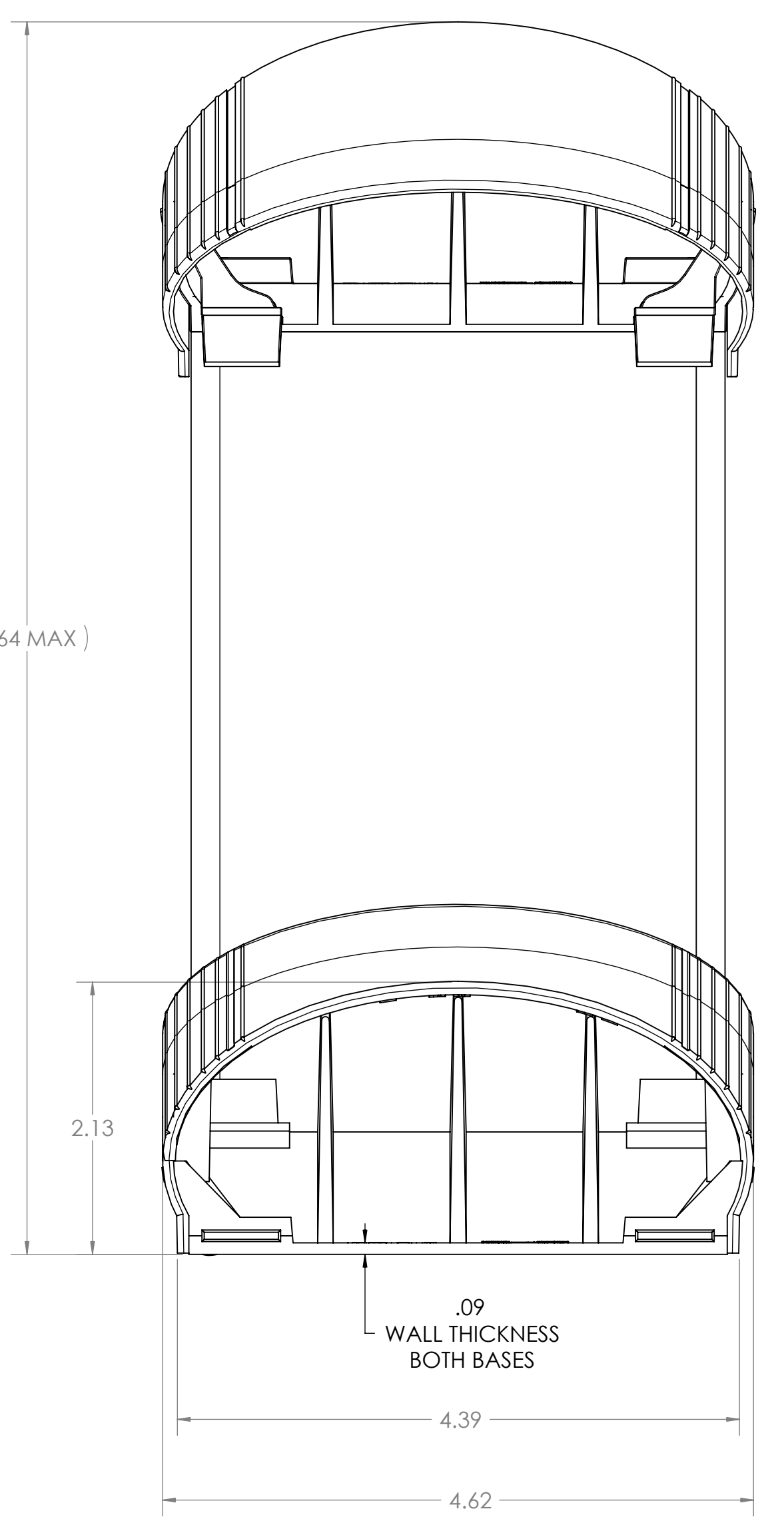
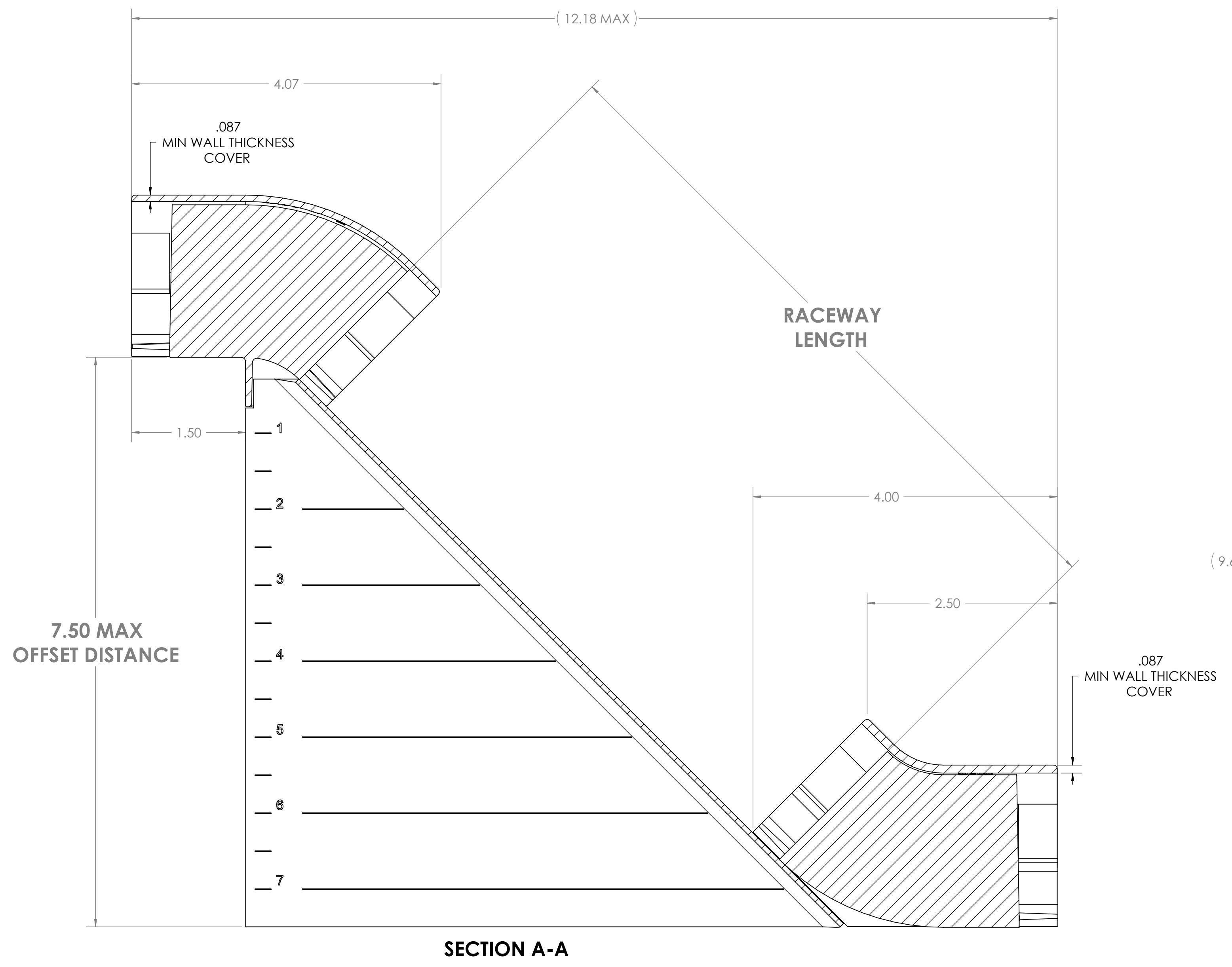
Email & Skype: info@chipsmall.com Web: www.chipsmall.com

Address: A1208, Overseas Decoration Building, #122 Zhenhua RD., Futian, Shenzhen, China





OFFSET DISTANCE	RACEWAY LENGTH
2	1 1/8
2 1/2	1 7/8
3	2 9/16
3 1/2	3 1/4
4	4
4 1/2	4 11/16
5	5 3/8
5 1/2	6 1/8
6	6 13/16
6 1/2	7 1/2
7	8 1/4
7 1/2	8 15/16



PART NO. DESCRIPTION
MCR -OE
COLOR: CONTACT FACTORY FOR AVAILABLE COLORS.

SECTION A-A

- NOTES**
1. A RACEWAY BASE AND COVER MUST BE CUT TO LENGTH SHOWN AND ASSEMBLED TO COMPLETE THIS ASSEMBLY.
 2. THIS ASSEMBLY ACCEPTS (3) MCR RACEWAYS.

HellermannTyton
ALL PROPRIETARY RIGHTS IN THE SUBJECT MATTER SHOWN ON THIS DRAWING ARE EXCLUSIVE PROPERTY OF HELLERMANN TYTON

name	date	city, state

REVISION

level	02
by	AAC
date	01/03/2007
ECN #	010555
part level	-

TOLERANCES

.XXXX = ±.0005
.XXX = ±.005
.XX = ±.01
.X = ±.03
∠ = ±0.5°
unless otherwise specified
units inches

PART

number	MCR_OE	phase	Production
name MULTI-CHANNEL RACEWAY OFFSET ELBOW			
material HIPS & ABS			

DRAWING

format	D	SW 2007	scale	1:1
version	N			
computer file number	DT2013130CST_02	previous number		
drawn	KAC	checked	KAC	approved
date	10/17/1996	checked	01/03/2007	approved
type	Customer			sheet 1 of 1
number	DT2013130CST			