



Chipsmall Limited consists of a professional team with an average of over 10 year of expertise in the distribution of electronic components. Based in Hongkong, we have already established firm and mutual-benefit business relationships with customers from,Europe,America and south Asia,supplying obsolete and hard-to-find components to meet their specific needs.

With the principle of "Quality Parts,Customers Priority,Honest Operation,and Considerate Service",our business mainly focus on the distribution of electronic components. Line cards we deal with include Microchip,ALPS,ROHM,Xilinx,Pulse,ON,Everlight and Freescale. Main products comprise IC,Modules,Potentiometer,IC Socket,Relay,Connector.Our parts cover such applications as commercial,industrial, and automotives areas.

We are looking forward to setting up business relationship with you and hope to provide you with the best service and solution. Let us make a better world for our industry!



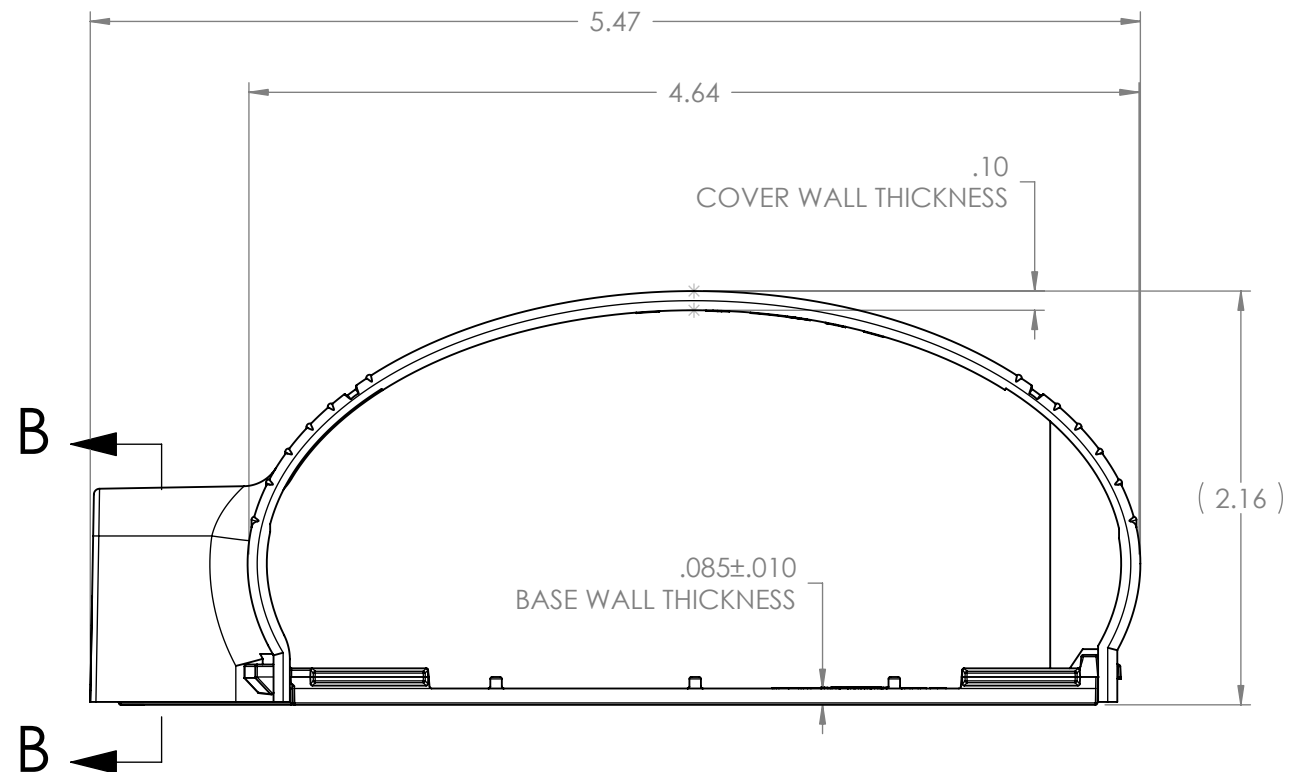
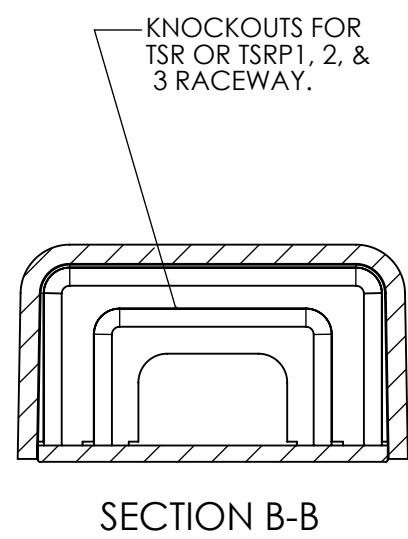
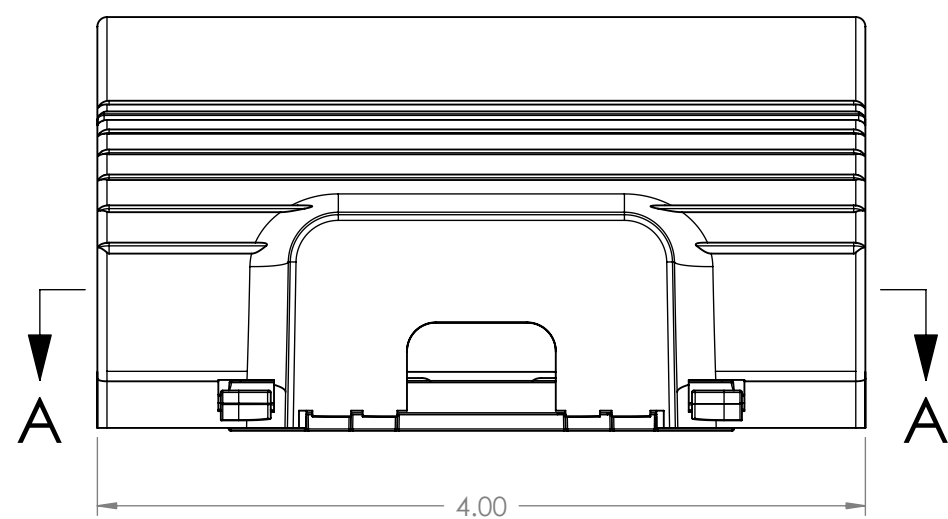
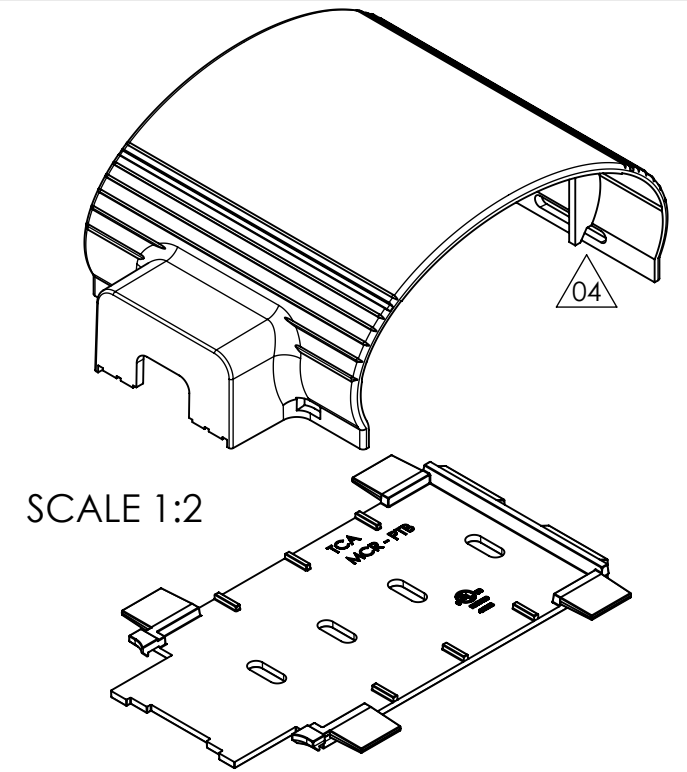
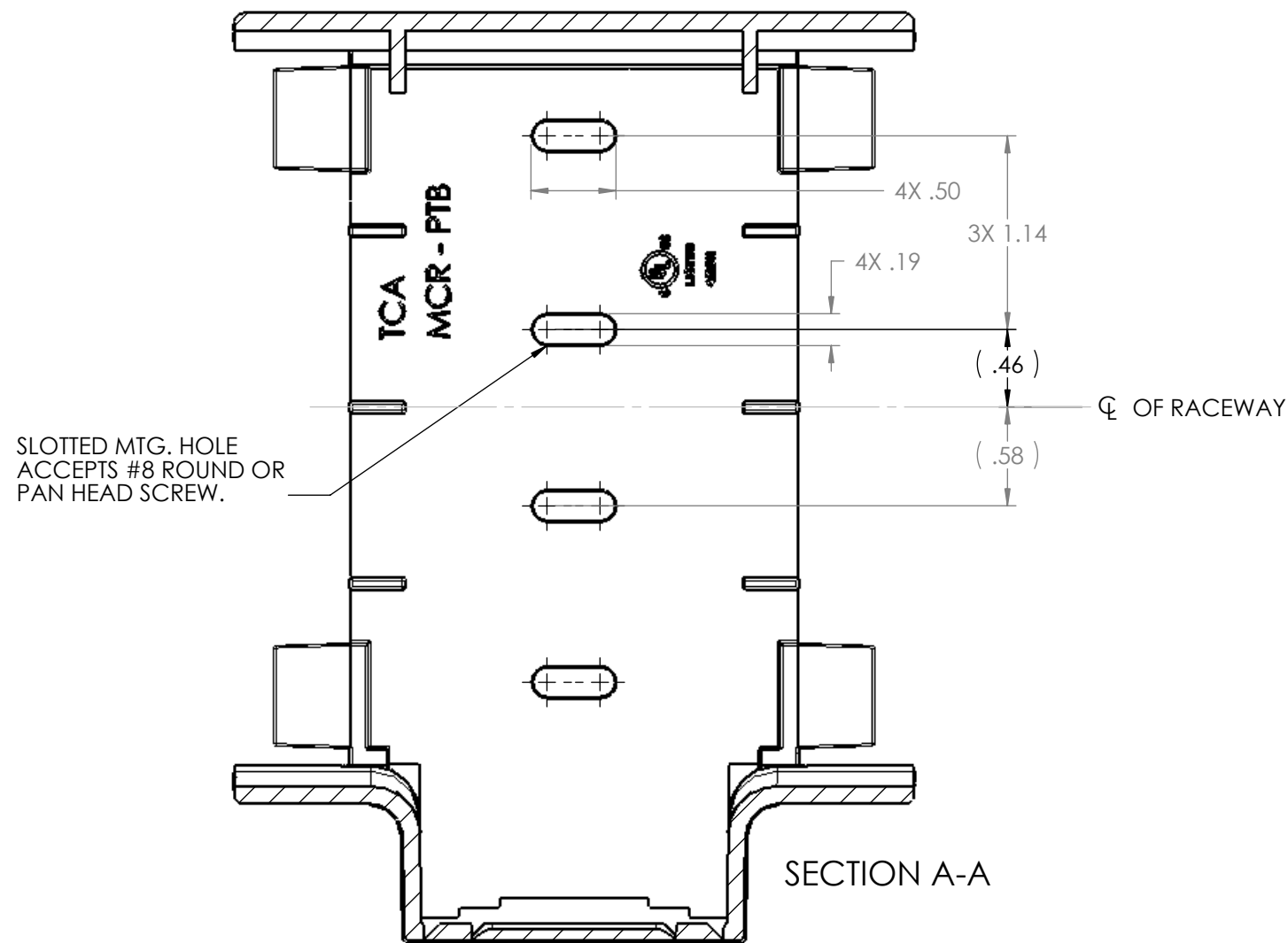
Contact us

Tel: +86-755-8981 8866 Fax: +86-755-8427 6832

Email & Skype: info@chipsmall.com Web: www.chipsmall.com

Address: A1208, Overseas Decoration Building, #122 Zhenhua RD., Futian, Shenzhen, China





PART NO. DESCRIPTION
 COLOR: CONTACT FACTORY FOR AVAILABLE COLORS.

HellermannTyton®

ALL PROPRIETARY RIGHTS IN THE SUBJECT MATTER SHOWN ON THIS DRAWING ARE EXCLUSIVE PROPERTY OF HELLERMANNTYTON

name	date	city	state

- NOTES**
1. THIS ASSEMBLY ACCEPTS (2) MCR RACEWAYS AND (1) TSR OR TSRP RACEWAY.
 2. ALL DUPLICATE FIGURES ARE SYMETRICAL ABOUT \bar{C} .

REVISION

level	04
by	KAC
date	06/26/2008
ECN #	011065
part level	-

TOLERANCES

.XXXX	= ±.0005
.XXX	= ±.005
.XX	= ±.01
.X	= ±.03
∠	= ±0.5°
unless otherwise specified	
units	inches

PART

number	MCR_PTF	phase	Production
name MCR POWER TRANSITION FITTING			
material	04 HIPS HIGH IMPACT POLYSTYRENE		

DRAWING

format	B	CAD	SW 2006	scale	1:1
version N					
computer file number	DT2013162CST_04	previous number			
drawn	MEF	checked	KAC	approved	
date	08/21/2002	checked	06/26/2008	approved	
type	Customer	sheet	1 of 1		
number	DT2013162CST				