



Chipsmall Limited consists of a professional team with an average of over 10 year of expertise in the distribution of electronic components. Based in Hongkong, we have already established firm and mutual-benefit business relationships with customers from,Europe,America and south Asia,supplying obsolete and hard-to-find components to meet their specific needs.

With the principle of “Quality Parts,Customers Priority,Honest Operation,and Considerate Service”,our business mainly focus on the distribution of electronic components. Line cards we deal with include Microchip,ALPS,ROHM,Xilinx,Pulse,ON,Everlight and Freescale. Main products comprise IC,Modules,Potentiometer,IC Socket,Relay,Connector.Our parts cover such applications as commercial,industrial, and automotives areas.

We are looking forward to setting up business relationship with you and hope to provide you with the best service and solution. Let us make a better world for our industry!



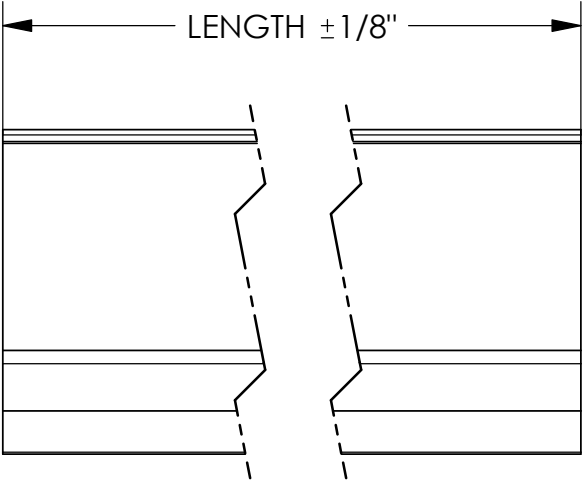
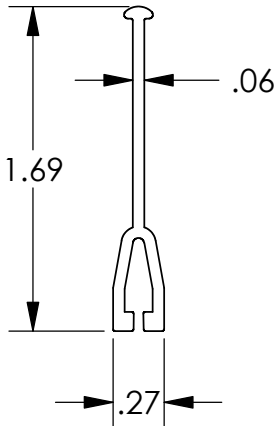
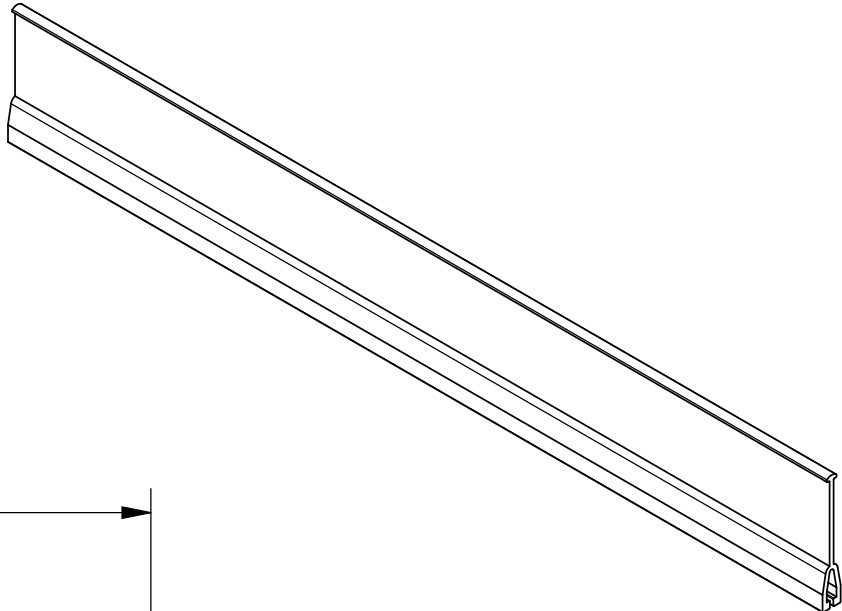
Contact us

Tel: +86-755-8981 8866 Fax: +86-755-8427 6832

Email & Skype: info@chipsmall.com Web: www.chipsmall.com

Address: A1208, Overseas Decoration Building, #122 Zhenhua RD., Futian, Shenzhen, China





PART NUMBER	LENGTH (FT)
MCRW-SD8	8
MCRW-SD10	10

I
N
V
E
N
T
O
R
S

HellermannTyton®
Cable Management Products

ALL PROPRIETARY RIGHTS IN THE SUBJECT MATTER SHOWN ON THIS DRAWING ARE EXCLUSIVE PROPERTY OF HELLERMANN TYTON

name	date	city, state

R
E
V
I
S
I
O
N

level	
by	MEF
date	7/17/00
ECN #	001996
part level	A

D
I
M
E
N
S
I
O
N
S

TOLERANCES
UNLESS OTHERWISE SPECIFIED

.xxxx = ±.0005
.xxx = ±.010
.xx = ±.02
.x = ±.03
∠ = ±0.5°

units inches

P
A
R
T

number	SEE CHART	phase	PRODUCTION
name	MULTI-CHANNEL RACEWAY DIVIDER		
material	PVC		

D
R
A
W
I
N
G

format	version M	AH	CAD	SW	scale	1:1
computer file number	DT2013104CST_C		previous number			
drawn	MEF	checked	approved			
type	CUSTOMER		sheet 1 of 1			
number	DT2013104CST					