



Chipsmall Limited consists of a professional team with an average of over 10 year of expertise in the distribution of electronic components. Based in Hongkong, we have already established firm and mutual-benefit business relationships with customers from,Europe,America and south Asia,supplying obsolete and hard-to-find components to meet their specific needs.

With the principle of “Quality Parts,Customers Priority,Honest Operation,and Considerate Service”,our business mainly focus on the distribution of electronic components. Line cards we deal with include Microchip,ALPS,ROHM,Xilinx,Pulse,ON,Everlight and Freescale. Main products comprise IC,Modules,Potentiometer,IC Socket,Relay,Connector.Our parts cover such applications as commercial,industrial, and automotives areas.

We are looking forward to setting up business relationship with you and hope to provide you with the best service and solution. Let us make a better world for our industry!



Contact us

Tel: +86-755-8981 8866 Fax: +86-755-8427 6832

Email & Skype: info@chipsmall.com Web: www.chipsmall.com

Address: A1208, Overseas Decoration Building, #122 Zhenhua RD., Futian, Shenzhen, China



DESIGNED & DIMENSIONED
IN MILLIMETERS [INCHES]

MCX-J-P-X-RA-TH1

GENDER
-J: JACK

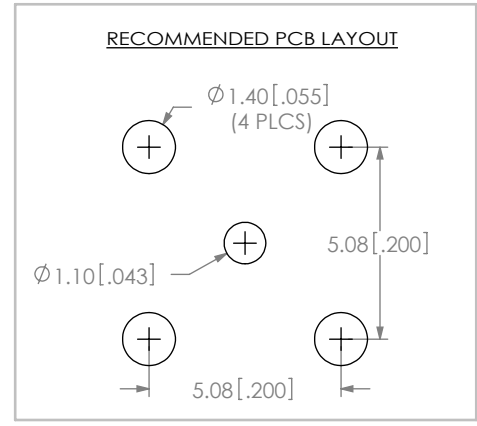
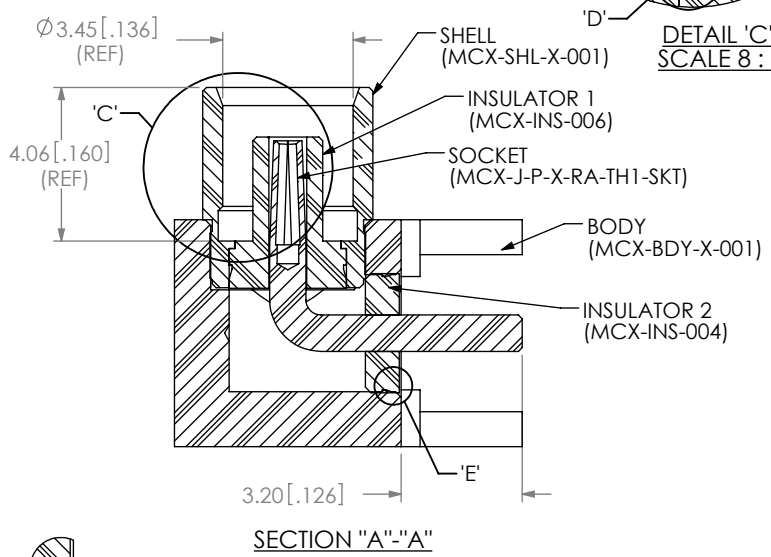
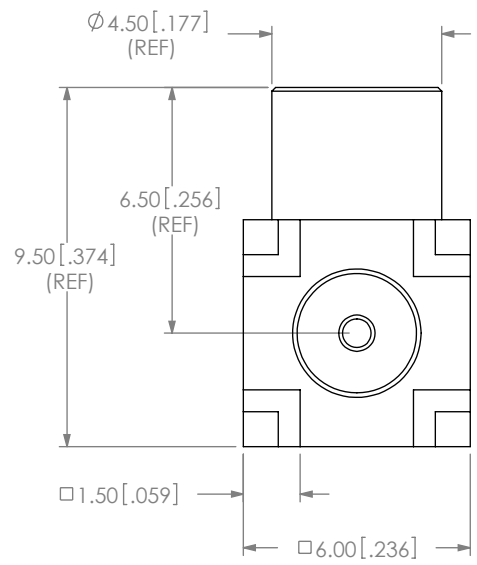
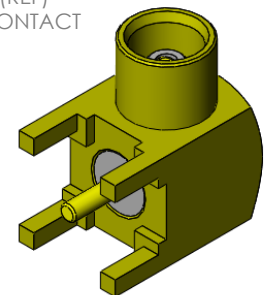
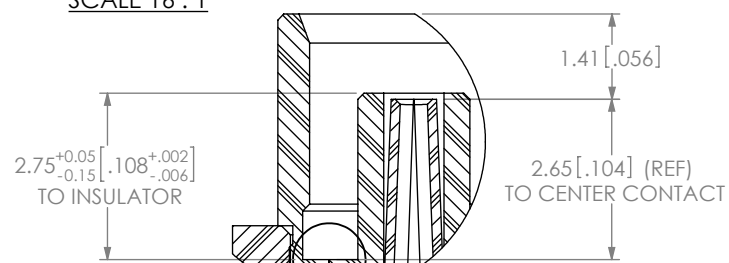
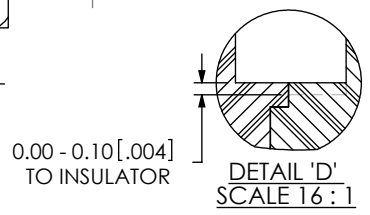
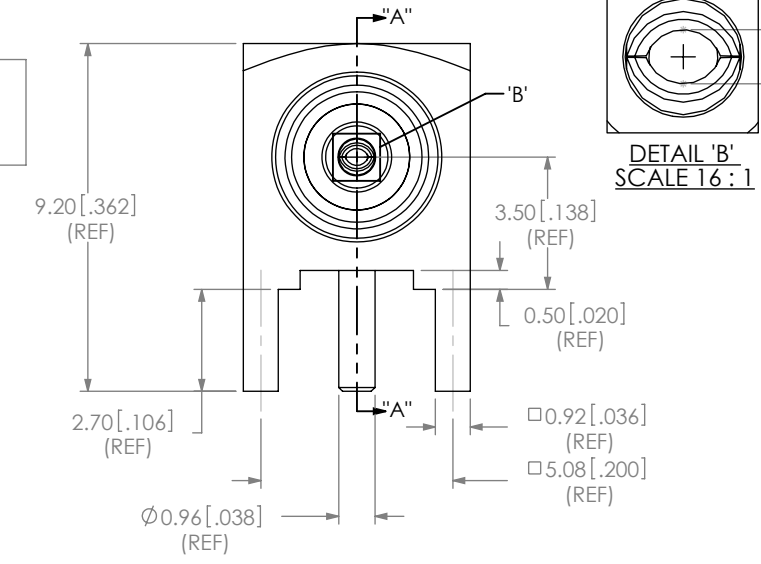
TERMINATION
-TH1: THROUGH HOLE

TYPE
-P: PCB

ORIENTATION
-RA: RIGHT ANGLE

PLATING SPECIFICATION
-H: HEAVY GOLD IN CONTACT
AREA, FLASH GOLD ON BALANCE

DO NOT
SCALE FROM
THIS PRINT



c:\enterprisevault\DWG\MISC\MKTG\MCX-J-P-X-RA-TH1-MKT.SLDDRW

UNLESS OTHERWISE SPECIFIED,
DIMENSIONS ARE IN MILLIMETERS.
TOLERANCES ARE:
DECIMALS ANGLES
.X: ±0.3 [.01] 2°
.XX: ±0.13 [.005]
.XXX: ±0.051 [.0020]

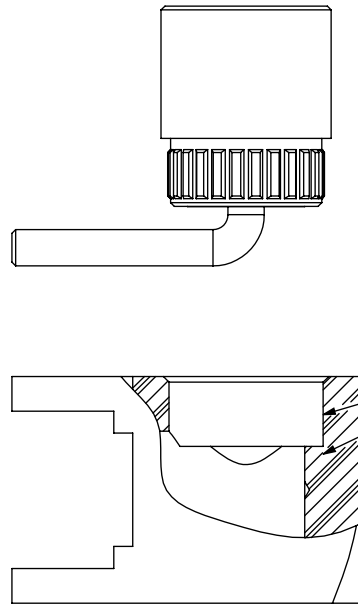
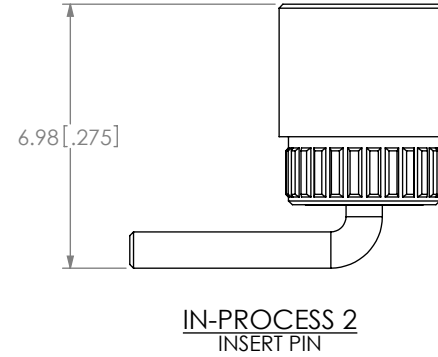
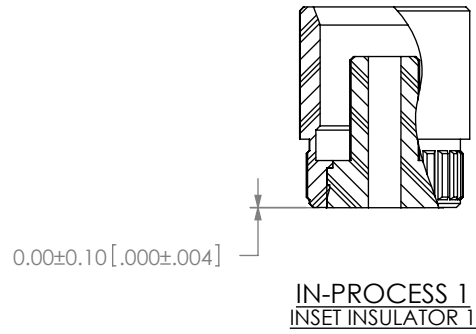
PROPRIETARY NOTE
THIS DOCUMENT CONTAINS INFORMATION
CONFIDENTIAL AND PROPRIETARY TO
SAMTEC, INC. AND SHALL NOT BE REPRODUCED
OR TRANSFERRED TO OTHER DOCUMENTS OR
DISCLOSED TO OTHERS OR USED FOR ANY
PURPOSE OTHER THAN THAT WHICH IT WAS
OBTAINED WITHOUT THE EXPRESSED WRITTEN
CONSENT OF SAMTEC, INC.

samtec
520 PARK EAST BLVD, NEW ALBANY, IN 47150
PHONE: 812-944-6733 FAX: 812-948-5047
e-Mail: info@SAMTEC.com code: 55322

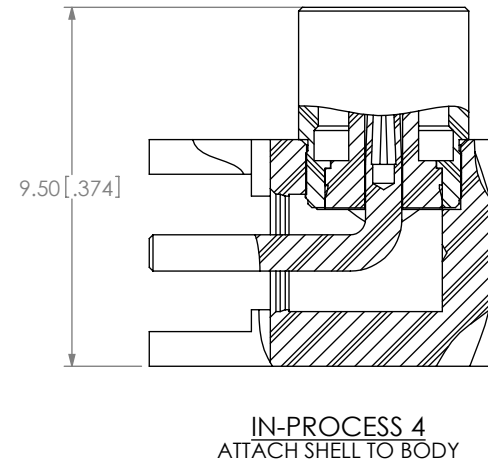
MATERIAL: DO NOT SCALE DRAWING SHEET SCALE: 5:1
SHELL: BRASS C3604B
BODY: BRASS C3604B
INSULATOR: PTFE (WHITE)
SOCKET: BeCu C17300

DESCRIPTION:
MCX RIGHT ANGLE, THROUGH HOLE JACK- 50 OHM
DWG. NO.
MCX-J-P-X-RA-TH1

- NOTES:
1. REPRESENTS A CRITICAL DIMENSION.
 2. PUSHOUT FORCE FOR INSULATOR: 20 N [4.5 LB] MIN.
 3. SEE CO-HD-WI-3040M RF PACKAGING FOR PACKAGING INSTRUCTIONS, USE SAMTEC TRAY TY-SMA001-1 AND TY-SMA001-2. QUANTITIES LESS THAN A FULL TRAY WILL NOT BE PACKAGED IN TRAYS.
 4. RoHS COMPLIANT.



ADD ADHESIVE AROUND ENTIRE CIRCUMFERENCE. USE LOCTITE 638 RETAINING COMPOUND.



PROPRIETARY NOTE
THIS DOCUMENT CONTAINS INFORMATION CONFIDENTIAL AND PROPRIETARY TO SAMTEC, INC. AND SHALL NOT BE REPRODUCED OR TRANSFERRED TO OTHER DOCUMENTS OR DISCLOSED TO OTHERS OR USED FOR ANY PURPOSE OTHER THAN THAT WHICH IT WAS OBTAINED WITHOUT THE EXPRESSED WRITTEN CONSENT OF SAMTEC, INC.

DO NOT SCALE DRAWING

SHEET SCALE: 5:1



520 PARK EAST BLVD, NEW ALBANY, IN 47150
PHONE: 812-944-6733 FAX: 812-948-5047
e-Mail: info@SAMTEC.com code: 55322

DESCRIPTION:
MCX RIGHT ANGLE, THROUGH HOLE JACK- 50 OHM

DWG. NO.
MCX-J-P-X-RA-TH1

BY: R MUSSER 02/06/2008 SHEET 2 OF 2