



Chipsmall Limited consists of a professional team with an average of over 10 year of expertise in the distribution of electronic components. Based in Hongkong, we have already established firm and mutual-benefit business relationships with customers from,Europe,America and south Asia,supplying obsolete and hard-to-find components to meet their specific needs.

With the principle of “Quality Parts,Customers Priority,Honest Operation,and Considerate Service”,our business mainly focus on the distribution of electronic components. Line cards we deal with include Microchip,ALPS,ROHM,Xilinx,Pulse,ON,Everlight and Freescale. Main products comprise IC,Modules,Potentiometer,IC Socket,Relay,Connector.Our parts cover such applications as commercial,industrial, and automotives areas.

We are looking forward to setting up business relationship with you and hope to provide you with the best service and solution. Let us make a better world for our industry!



## Contact us

Tel: +86-755-8981 8866 Fax: +86-755-8427 6832

Email & Skype: info@chipsmall.com Web: www.chipsmall.com

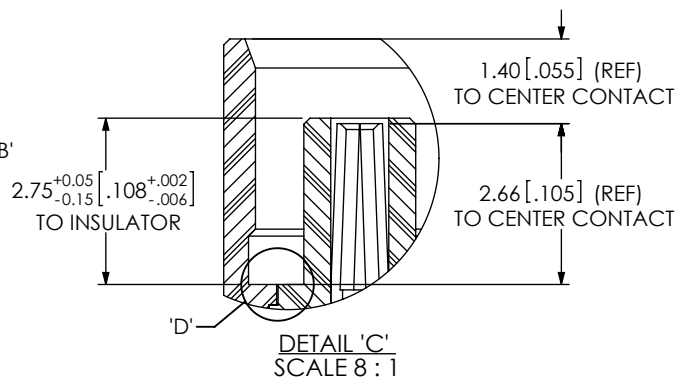
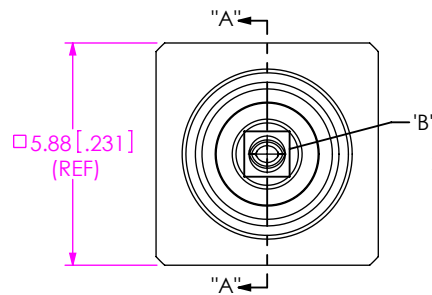
Address: A1208, Overseas Decoration Building, #122 Zhenhua RD., Futian, Shenzhen, China



DO NOT SCALE FROM THIS PRINT

DESIGNED & DIMENSIONED IN MILLIMETERS [INCHES]

MCX-J-P-X-ST-SM1-XX



GENDER  
-J: JACK

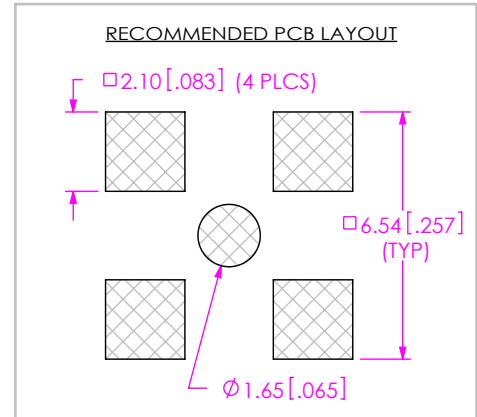
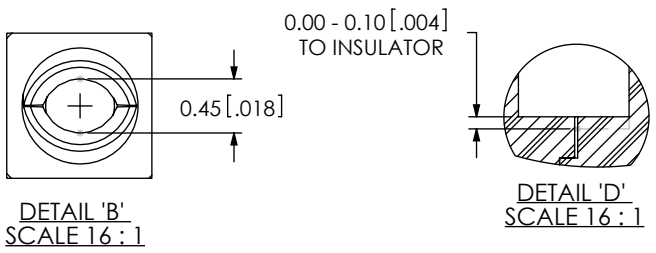
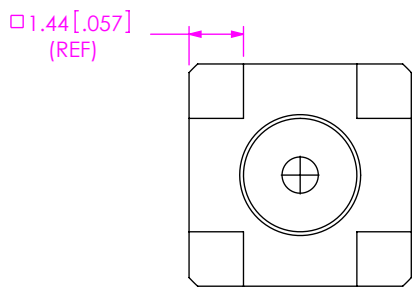
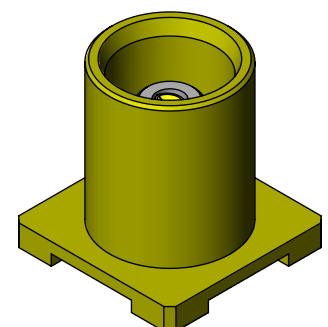
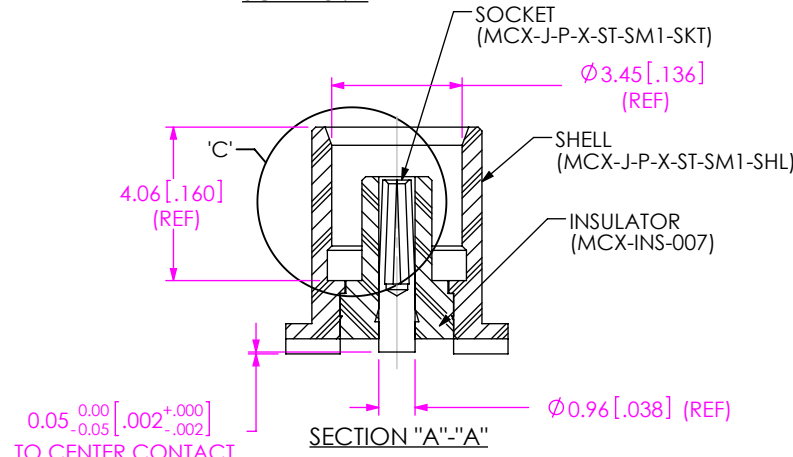
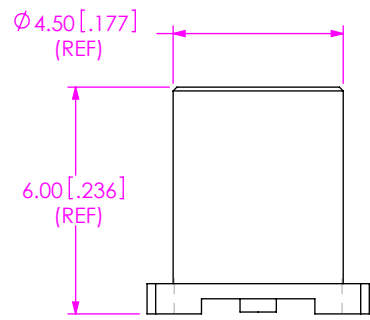
TYPE  
-P: PCB

OPTION  
-TR: TAPE & REEL (LEAVE BLANK FOR NO TAPE AND REEL)

TERMINATION  
-SM1: SURFACE MOUNT

PLATING SPECIFICATION  
-H: HEAVY GOLD (SEE TABLE 1)

ORIENTATION  
-ST: STRAIGHT



NOTES:

1.  $\text{Ⓢ}$  REPRESENTS A CRITICAL DIMENSION.
2. PUSHOUT FORCE FOR INSULATOR: 20 N [4.5 LB] MIN.
3. PUSHOUT FORCE FOR CENTER CONTACT: 10 N [2.25 LB] MIN.
4. PRODUCT TO BE PACKAGED PER PACKAGING STANDARD CO-RF-WI-3040-M UNLESS -TR OPTION. TRAY: TY-SMA001-1 COVER: TY-SMA001-2 300 PARTS PER TRAY (3 PARTS PER POCKET).
5. RoHS COMPLIANT.

F:\DWG\MISC\MKTG\MCX-J-P-X-ST-SM1-XX-MKT.SLDDRW

UNLESS OTHERWISE SPECIFIED, DIMENSIONS ARE IN MILLIMETERS.

TOLERANCES ARE:

DECIMALS ANGLES

.X: ±0.3 [0.1] 2°

.XX: ±0.13 [0.05]

.XXX: ±0.051 [0.020]

PROPRIETARY NOTE

THIS DOCUMENT CONTAINS CONFIDENTIAL AND PROPRIETARY INFORMATION AND ALL DESIGN, MANUFACTURING, REPRODUCTION, USE, PATENT RIGHTS AND SALES RIGHTS ARE EXPRESSLY RESERVED BY SAMTEC, INC. THIS DOCUMENT SHALL NOT BE DISCLOSED, IN WHOLE OR PART, TO ANY UNAUTHORIZED PERSON OR ENTITY NOR REPRODUCED, TRANSFERRED OR INCORPORATED IN ANY OTHER PROJECT IN ANY MANNER WITHOUT THE EXPRESS WRITTEN CONSENT OF SAMTEC, INC.

MATERIAL: DO NOT SCALE DRAWING SHEET SCALE: 5:1

SEE TABLE 1

520 PARK EAST BLVD, NEW ALBANY, IN 47150  
 PHONE: 812-944-6733 FAX: 812-948-5047  
 e-Mail: info@SAMTEC.com code: 55322

TABLE 1: MATERIAL			
SAMTEC PART NUMBER	ITEM	MATERIAL	PLATING - (REFERENCE)
MCX-J-P-X-ST-SM1-SHL	SHELL	BRASS C3604B	0.00013[.000005] GOLD OVER .00127[.000050] NICKEL
MCX-INS-007	INSULATOR	PTFE TEFLON (WHITE)	N/A
MCX-J-P-X-ST-SM1-SKT	SOCKET	BeCu C17300	0.00076[.000030] GOLD OVER .00127[.000050] NICKEL

DESCRIPTION:  
MCX STRAIGHT, SMT JACK- 50 OHM

DWG. NO.  
**MCX-J-P-X-ST-SM1-XX**

BY: R MUSSER 02/06/2008 SHEET 1 OF 1