



Chipsmall Limited consists of a professional team with an average of over 10 year of expertise in the distribution of electronic components. Based in Hongkong, we have already established firm and mutual-benefit business relationships with customers from,Europe,America and south Asia,supplying obsolete and hard-to-find components to meet their specific needs.

With the principle of “Quality Parts,Customers Priority,Honest Operation,and Considerate Service”,our business mainly focus on the distribution of electronic components. Line cards we deal with include Microchip,ALPS,ROHM,Xilinx,Pulse,ON,Everlight and Freescale. Main products comprise IC,Modules,Potentiometer,IC Socket,Relay,Connector.Our parts cover such applications as commercial,industrial, and automotives areas.

We are looking forward to setting up business relationship with you and hope to provide you with the best service and solution. Let us make a better world for our industry!



## Contact us

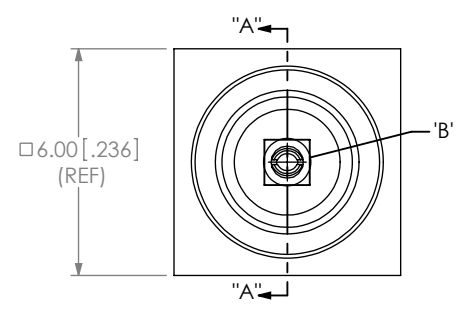
Tel: +86-755-8981 8866 Fax: +86-755-8427 6832

Email & Skype: info@chipsmall.com Web: www.chipsmall.com

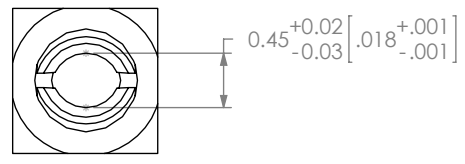
Address: A1208, Overseas Decoration Building, #122 Zhenhua RD., Futian, Shenzhen, China



DO NOT SCALE FROM THIS PRINT



DESIGNED & DIMENSIONED IN MILLIMETERS [INCHES]



MCX7-J-P-X-ST-TH1

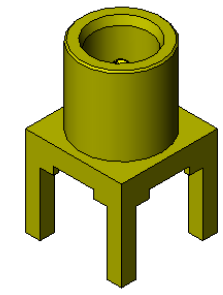
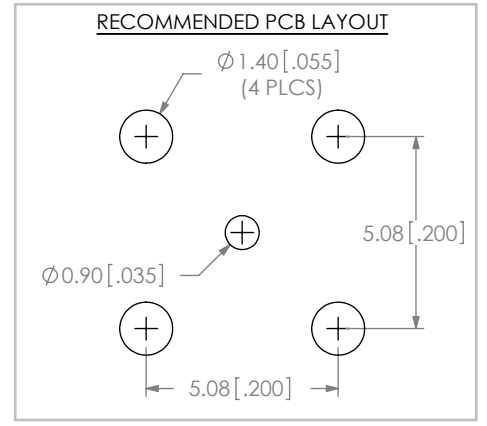
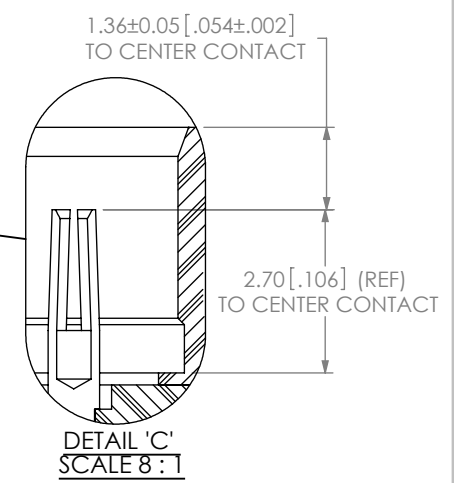
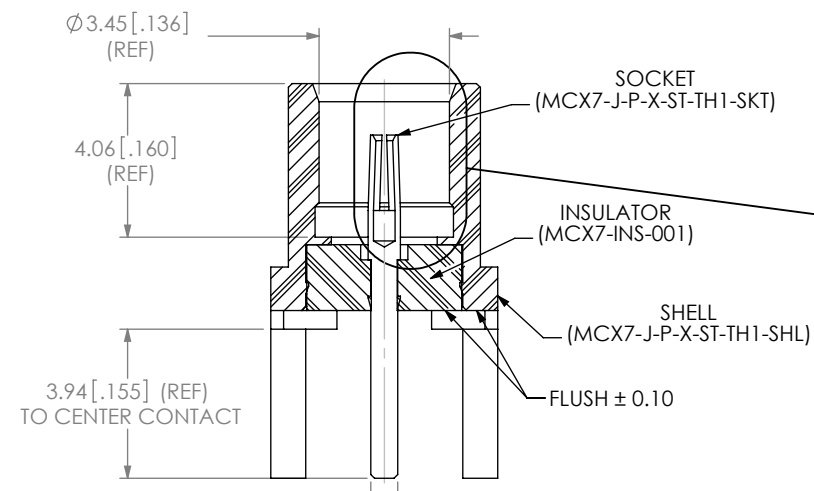
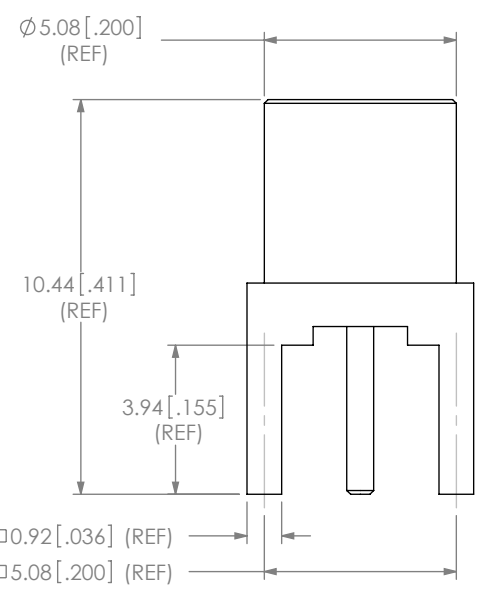
GENDER  
-J: JACK

TYPE  
-P: PCB

TERMINATION  
-TH1: THROUGH HOLE

ORIENTATION  
-ST: STRAIGHT

PLATING SPECIFICATION  
-H: HEAVY GOLD (SEE NOTE 6 & 7)  
(MCX7-J-P-H-ST-TH1-SKT)  
(MCX7-J-P-F-ST-TH1-SHL)



- NOTES:
- Ⓢ REPRESENTS A CRITICAL DIMENSION.
  - PUSHOUT FORCE FOR INSULATOR: 20 N [4.5 LB] MIN.
  - PUSHOUT FORCE FOR CENTER CONTACT: 10 N [2.25 LB] MIN.
  - PARTS TO BE PACKAGED IN TRAYS; IF QUANTITY IS LESS THAN HALF TRAY, PARTS TO BE PACKAGED IN COHESIVE FOAM.
  - RoHS COMPLIANT.
  - COMPONENT PLATING DESIGNATIONS:  
 -H: 0.00076 [0.000030] (MIN) GOLD OVER 0.00127 [0.000050] (MIN) NICKEL.  
 -F: 0.00008 [0.000003] (MIN) GOLD OVER 0.00127 [0.000050] (MIN) NICKEL.  
 -N: 0.00254 [0.000100] (MIN) NICKEL.
  - ASSEMBLY PLATING DESIGNATIONS:  
 -HN: (CENTER CONTACT)-H:  
 (OUTER CONTACT)-F:  
 (REMAINING METAL PARTS)-N:  
 -H: (CENTER CONTACT)-H:  
 (OUTER CONTACT)-F:  
 (REMAINING METAL PARTS)-F:

F:\DWG\MISC\MKTG\MCX7-J-P-X-ST-TH1-MKT.SLDDRW

UNLESS OTHERWISE SPECIFIED, DIMENSIONS ARE IN MILLIMETERS.  
 TOLERANCES ARE:  
 DECIMALS ANGLES  
 .X:  $\pm 0.3 [0.1]$  2°  
 .XX:  $\pm 0.13 [0.005]$   
 .XXX:  $\pm 0.051 [0.0020]$

PROPRIETARY NOTE  
 THIS DOCUMENT CONTAINS INFORMATION CONFIDENTIAL AND PROPRIETARY TO SAMTEC, INC. AND SHALL NOT BE REPRODUCED OR TRANSFERRED TO OTHER DOCUMENTS OR DISCLOSED TO OTHERS OR USED FOR ANY PURPOSE OTHER THAN THAT WHICH IT WAS OBTAINED WITHOUT THE EXPRESSED WRITTEN CONSENT OF SAMTEC, INC.

MATERIAL: DO NOT SCALE DRAWING SHEET SCALE: 5:1

520 PARK EAST BLVD., NEW ALBANY, IN 47150  
 PHONE: 812-944-6733 FAX: 812-948-5047  
 e-Mail: info@SAMTEC.com code: 55322

DESCRIPTION:  
MCX STRAIGHT, THROUGH HOLE JACK- 75 OHM  
 DWG. NO.

MCX7-J-P-X-ST-TH1