



Chipsmall Limited consists of a professional team with an average of over 10 year of expertise in the distribution of electronic components. Based in Hongkong, we have already established firm and mutual-benefit business relationships with customers from,Europe,America and south Asia,supplying obsolete and hard-to-find components to meet their specific needs.

With the principle of “Quality Parts,Customers Priority,Honest Operation,and Considerate Service”,our business mainly focus on the distribution of electronic components. Line cards we deal with include Microchip,ALPS,ROHM,Xilinx,Pulse,ON,Everlight and Freescale. Main products comprise IC,Modules,Potentiometer,IC Socket,Relay,Connector.Our parts cover such applications as commercial,industrial, and automotives areas.

We are looking forward to setting up business relationship with you and hope to provide you with the best service and solution. Let us make a better world for our industry!



Contact us

Tel: +86-755-8981 8866 Fax: +86-755-8427 6832

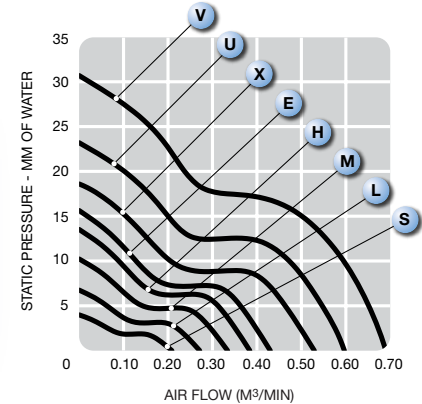
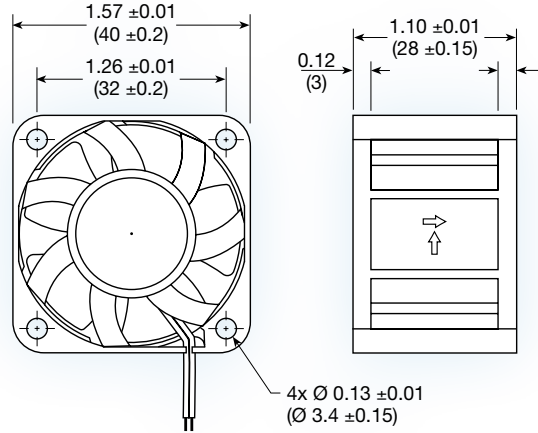
Email & Skype: info@chipsmall.com Web: www.chipsmall.com

Address: A1208, Overseas Decoration Building, #122 Zhenhua RD., Futian, Shenzhen, China



MD4028 series

HIGH PERFORMANCE



(40 x 40 x 28 mm)
1.57 x 1.57 x 1.10 inches

Construction: UL94V-0 PBT impeller & frame

Bearing option: ball bearing

Connection: AWG 26, UL1007 lead wires

Frame: ribbed

Protection: thermal

Options: tachometer output or locked rotor alarm signal; PWM speed control

Model No.	Rated Voltage V	Current mA		Speed RPM	Air Volume		Max. Static Pressure (H ₂ O)		Sound Noise dB(A)	Weight g
		12	24		M ³ /Min.	CFM	MM	INCH		
MD4028S	12/24	70	50	5,000	0.209	7.38	4.05	0.159	30.8	50
MD4028L	12/24	100	70	6,500	0.272	9.59	6.75	0.266	33.2	50
MD4028M	12/24	140	90	8,000	0.335	11.82	10.23	0.403	37.2	50
MD4028H	12/24	210	120	9,200	0.384	13.57	13.53	0.533	41.0	50
MD4028E	12/24	240	140	10,300	0.430	15.19	16.96	0.670	44.0	50
MD4028X	12/24	350	180	11,500	0.529	18.67	17.72	0.709	47.3	50
MD4028U	12	520	-	13,000	0.598	21.11	22.64	0.906	50.0	50
MD4028V	12	650	-	15,000	0.690	24.35	30.14	1.206	53.1	50

