



Chipsmall Limited consists of a professional team with an average of over 10 year of expertise in the distribution of electronic components. Based in Hongkong, we have already established firm and mutual-benefit business relationships with customers from,Europe,America and south Asia,supplying obsolete and hard-to-find components to meet their specific needs.

With the principle of "Quality Parts,Customers Priority,Honest Operation,and Considerate Service",our business mainly focus on the distribution of electronic components. Line cards we deal with include Microchip,ALPS,ROHM,Xilinx,Pulse,ON,Everlight and Freescale. Main products comprise IC,Modules,Potentiometer,IC Socket,Relay,Connector.Our parts cover such applications as commercial,industrial, and automotives areas.

We are looking forward to setting up business relationship with you and hope to provide you with the best service and solution. Let us make a better world for our industry!



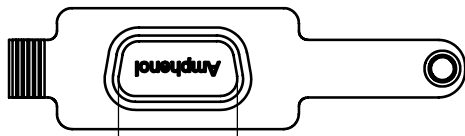
Contact us

Tel: +86-755-8981 8866 Fax: +86-755-8427 6832

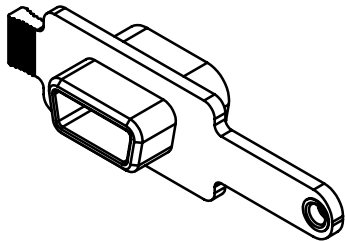
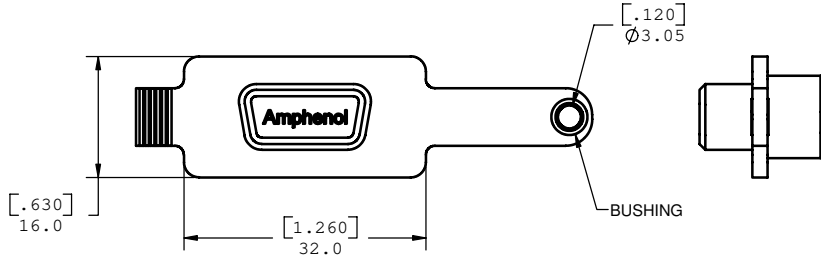
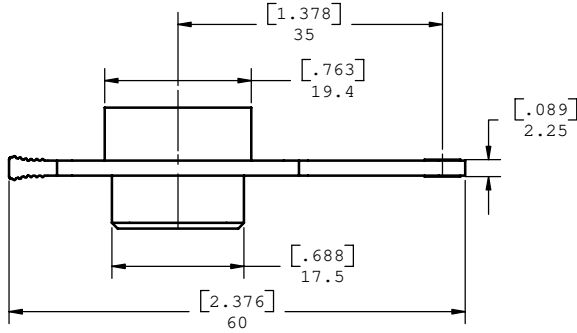
Email & Skype: info@chipsmall.com Web: www.chipsmall.com

Address: A1208, Overseas Decoration Building, #122 Zhenhua RD., Futian, Shenzhen, China

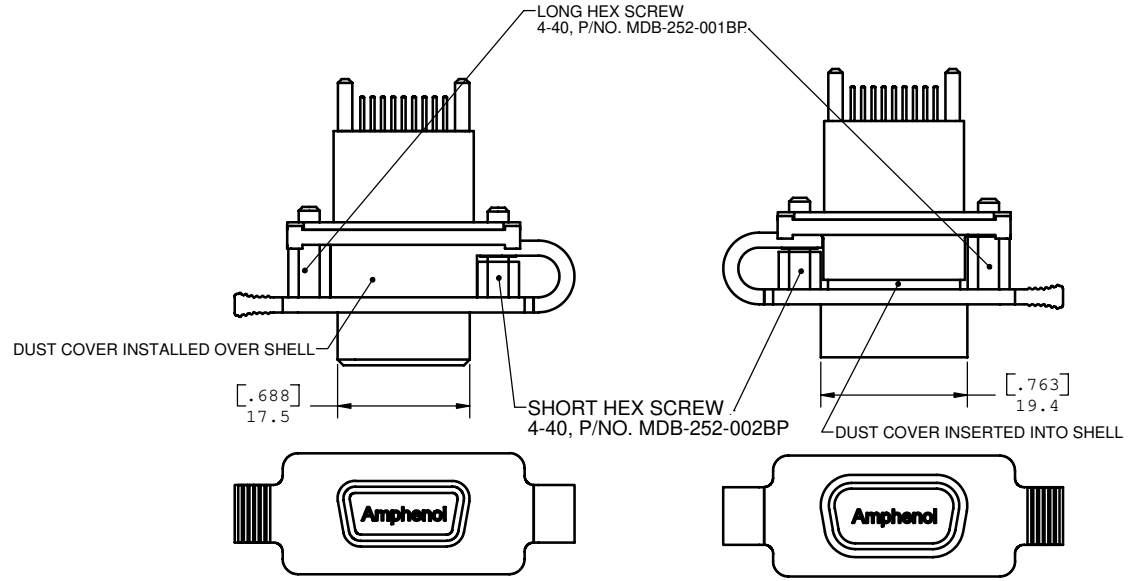




[.619]
15.7



DUST COVER



INSTALLATION ON MDB 9 SOCKET CONNECTOR INSTALLATION ON MDB 9 PIN CONNECTOR

NOTES:

- MATERIAL:
 - DUST COVER - SILICONE RUBBER, COLOR - GREY.
 - BUSHING - BRASS, NICKEL PLATED.
 - SCREWS - STAINLESS STEEL.
- OPERATING TEMPERATURE: -40°C TO +105°C.
- PART NUMBER FOR ORDER:
 - DUST COVER: MDB-227-093-205BP. (BUSHING INCLUDED)
 - LONG HEX SCREW: MDB-252-001BP
 - SHORT HEX SCREW: MDB-252-002BP
- PART IS RoHS COMPLIANT PER EU DIRECTIVE 2002/95/EC AND AMENDMENTS.
- PART IS UL94V-0 FLAMMABILITY COMPLIANT.



UNLESS OTHERWISE SPECIFIED DIMENSIONS ARE IN MILLIMETER TOLERANCES ARE:		APPROVALS	DATE	Amphenol Canada Corp.	
DECIMALS	ANGLES	DRAWN	NOV14/06		
.XX ±.10	± 1°	S.SEMENOV		TITLE DUST COVER FOR MDB CONNECTORS	
.X ±.25		DESIGNED	NOV14/06		
MATERIAL AND FINISH		CHECKED		SIZE	DWG. NO.
		QA APP'D		C	P-MDB-227-093-205BP
REF.		IE APP'D		SCALE	PROJECT
CODE IDENT. NO.		DWG APP'D	NOV14/06	5:1	MDB
		A.GREEN			SHEET
					1 OF 1