



Chipsmall Limited consists of a professional team with an average of over 10 year of expertise in the distribution of electronic components. Based in Hongkong, we have already established firm and mutual-benefit business relationships with customers from,Europe,America and south Asia,supplying obsolete and hard-to-find components to meet their specific needs.

With the principle of “Quality Parts,Customers Priority,Honest Operation,and Considerate Service”,our business mainly focus on the distribution of electronic components. Line cards we deal with include Microchip,ALPS,ROHM,Xilinx,Pulse,ON,Everlight and Freescale. Main products comprise IC,Modules,Potentiometer,IC Socket,Relay,Connector.Our parts cover such applications as commercial,industrial, and automotives areas.

We are looking forward to setting up business relationship with you and hope to provide you with the best service and solution. Let us make a better world for our industry!



Contact us

Tel: +86-755-8981 8866 Fax: +86-755-8427 6832

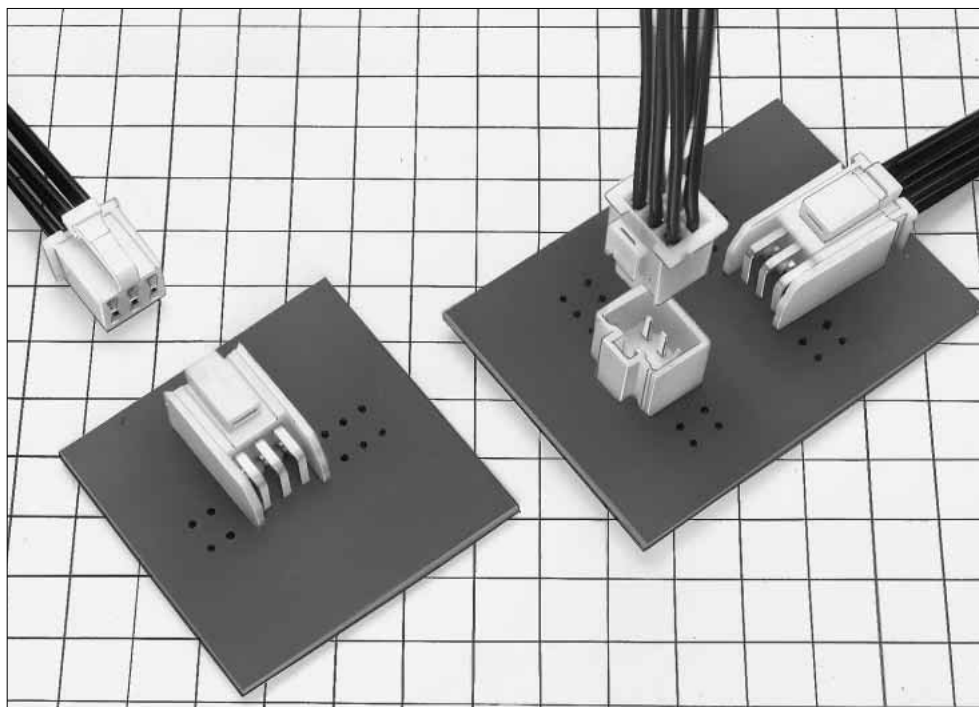
Email & Skype: info@chipsmall.com Web: www.chipsmall.com

Address: A1208, Overseas Decoration Building, #122 Zhenhua RD., Futian, Shenzhen, China



3.5mm Pitch Miniature Double Row Connector for Secondary Power (Product Compliant to UL/CSA Standard)

MDF6 Series



■ Features

1. Pitch 3.5mm Miniature Type

This is a space saving miniature connector where the adjacent contact pitch is set to 3.5mm and the opposite length is set to 5mm double-row alignment.

2. Current Capacity Secures 7A

Despite miniature power connector, the current capacity 7A is secured using the AWG No.16 cable.

3. Box Type Header

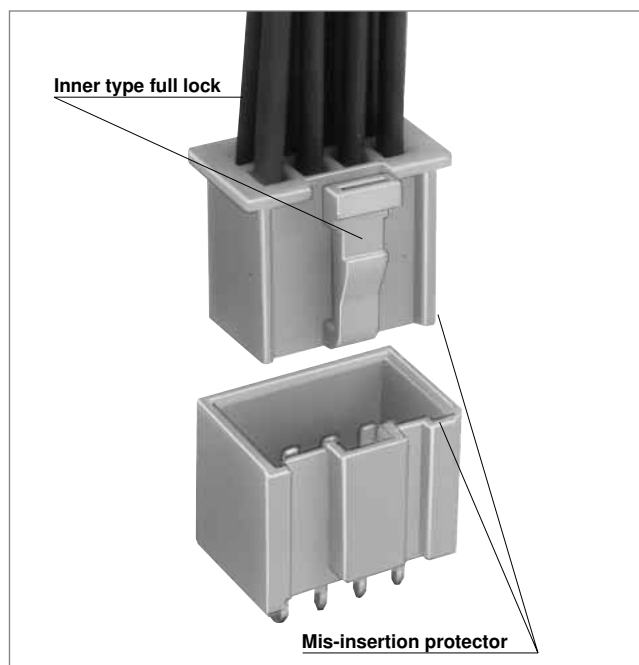
The box type header secures scoop-proof insertion, and perfectly prevents mis-insertion.

4. Inner Type Full Lock Adopted

Adopting the inner type full lock which the locking area is not exposed to the outside, the connector can be engaged under the high reliable and stable conditions.

■ Applications

Secondary power units for various equipment



MDF6 Series 3.5mm Pitch Miniature Double Row Connector for Secondary Power (Product Compliant to UL/CSA Standard)

Product Specifications

Rating	Current rating (Note1)	Cable Size	AWG#16 : 7A	Operating Temperature Range	-30 to +85°C (Note2)
			AWG#18 : 6A		Operating Moisture Range
			AWG#20 : 5A	Storage Temperature Range	
	Voltage rating	300V AC	AWG#22 : 4A		Storage Moisture Range

Standard Value Applicable to the UL/CSA Safety Standard		
Rating	Current rating	Cable Size
	Voltage rating	30V AC

■UL/CSA Safety Standard File No.
 UL :E52653
 CSA :LR95109

Item	Specification	Condition
1. Insulation Resistance	1000M ohms min	500V DC
2. Withstanding voltage	No flashover or insulation breakdown.	1500V AC/1 minute
3. Contact Resistance	30m ohms max	100mA
4. Single Insertor/Extraction Force	0.4N(40gf) min., 4.9N(500gf) max.	Measured at the steel pin with 1.52×0.76±0.002mm
5. Vibration	No electrical discontinuity of 1μs or more	Frequency: 10 to 55 Hz, single amplitude of 0.75 mm, 2 hours in each of the 3 directions.
6. Humidity (Steady state)	Contact resistance: 30m ohms max. Insulation resistance: 1000M ohms min.	96 hours at temperature of 40±2°C and humidity of 90% to 95%
7. Temperature Cycle	Contact resistance: 30m ohms max. Insulation resistance: 1000M ohms min.	(-55°C: 30 minutes → 5 to 35°C: 10 minutes 85°C: 30 minutes → 5 to 35°C: 10 minutes) 5 cycles
8. Durability (Mating/un-mating)	Contact resistance: 30m ohms max.	Tin/tin-copper plated 30 cycles
9. Resistance to Soldering heat	No deformation of components affecting performance.	Flow: 250°C for 10 seconds Manual soldering: 300°C for 3 seconds

Note 1: The rated current will be changed according to applicable cable sizes. The header rating only is 7A.
 Note 2: Includes temperature rise caused by current flow.
 Note 3: The term "storage" refers to products stored for long period of time prior to mounting and use. Operating Temperature Range and Humidity range covers non conducting condition of installed connectors in storage, shipment or during transportation.
 Note 4: Information contained in this catalog represents general requirements for this Series. Contact us for the drawings and specifications for a specific part number shown.

Material

Product	Part	Material	Treatment	Remarks
Crimping Socket	Insulator	Polyamide resin	White (Natural)	UL94V-0
Crimping Contact for Socket	Contact	Phosphor bronze	Tin plated	—
Pin Header	Insulator	Polyamide resin	White (Natural)	UL94V-0
	Contact	Brass	Tin-copper plated	—

Ordering Information

●Connector

MDF6 - * **DS** - **3.5** **C**

① ② ③ ④ ⑤

① Series Name : MDF 6	④ Contact Pitch : 3.5mm
② Number of Contacts : 4 to 20	⑤ Contact type
③ Connector Type	C : Crimping socket
DS : Double row socket	DSA: Straight dip
DP : Double row pin header	DS : Right angle dip

●Contact

MDF6 - **1618** **SCF**

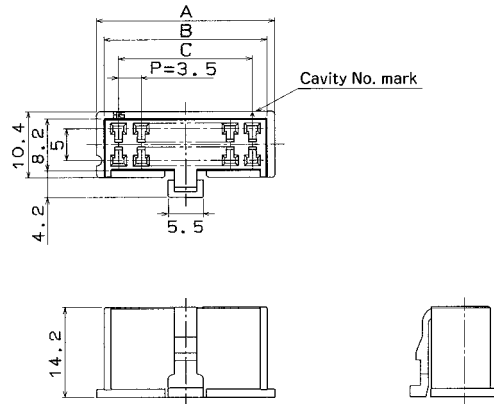
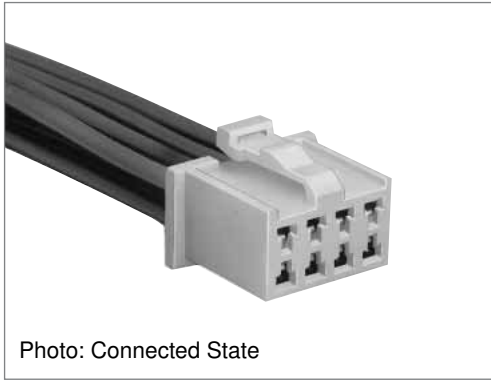
① ②

① Applicable Cable Size	② Packaging Type
1618 : AWG#16 to #18	SCF : Socket Contact, Reel
2022 : AWG#20 to #22	SC : Socket Contact, Bag

Apr.1.2017 Copyright 2017 HIROSE ELECTRIC CO., LTD. All Rights Reserved.

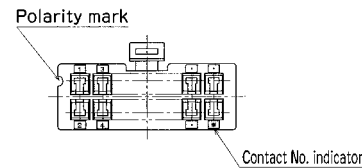
MDF6 Series 3.5mm Pitch Miniature Double Row Connector for Secondary Power (Product Compliant to UL/CSA Standard)

Double Row Socket



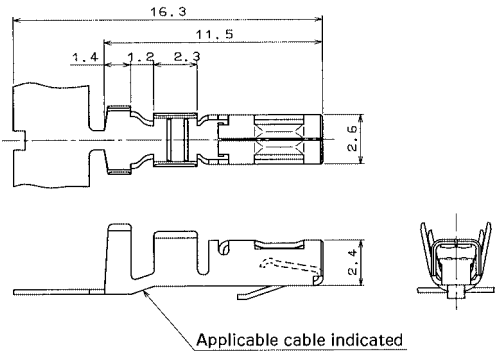
Unit: mm

Part Number	CL No.	Number of Contacts	A	B	C	RoHS
MDF6- 4DS-3.5C	547-0074-1	4	10.5	8.1	3.5	YES
MDF6- 6DS-3.5C	547-0075-4	6	14.0	11.6	7.0	
MDF6- 8DS-3.5C	547-0076-7	8	17.5	15.1	10.5	
MDF6-10DS-3.5C	547-0077-0	10	21.0	18.6	14.0	
MDF6-12DS-3.5C	547-0078-2	12	24.5	22.1	17.5	
MDF6-14DS-3.5C	547-0079-5	14	28.0	25.6	21.0	
MDF6-16DS-3.5C	547-0080-4	16	31.5	29.1	24.5	
MDF6-18DS-3.5C	547-0081-7	18	35.0	32.6	28.0	
MDF6-20DS-3.5C	547-0082-0	20	38.5	36.1	31.5	



Note: A packaging quantity is delivered by the bag unit (100 pcs.). If needed, please order the products per bag.

Socket Crimping contact



Applicable Cable (Tin plating Annealed Copper Wire)

Conductor Size (Wire construction)	Jacket Diameter
AWG #16 (26cores/0.254mm)	φ2.5 to φ2.0mm
AWG #18 (34cores/0.18 mm)	
AWG #20 (21cores/0.18 mm)	φ1.9 to φ1.5mm
AWG #22 (17cores/0.16 mm)	

Note: If other cables are used instead of the applicable cable, please contact Hirose sales department.

Recommended Cable

UL1061, UL1007

Strip Length

2.7 to 4.4mm

Part Number	CL No.	Applicable Cable		Packaging Type	Quantity	RoHS
		AWG Size	Jacket Diameter			
MDF6-1618SCF	547-0070-0	#16 to #18	2.5 to 2.0	Reel	5000	Yes
MDF6-1618SC	547-0071-3			Bag	100	
MDF6-2022SCF	547-0072-6	#20 to #22	1.9 to 1.5	Reel	5000	
MDF6-2022SC	547-0073-9			Bag	100	

Applicable Crimping Tool

Type	Part Number	CL No.	Applicable Contact
Main press unit	CM105	901-0005-4	_____
Applicator	AP105-MDF6-1618S	901-4512-4	MDF6-1618SCF
	AP105-MDF6-2022S	901-4513-7	MDF6-2022SCF
Manual Crimping Tool	MDF6-TA1618HC	550-0203-5	MDF6-1618SC
	MDF6-TA2022HC	550-0204-8	MDF6-2022SC
Extraction Tool	DF-C-PO(A)	550-0170-8	MDF6-****SC(F)

Note: If any trouble has occurred due to other tools, which are not designated by Hirose, Hirose won't guarantee any products.

MDF6 Series 3.5mm Pitch Miniature Double Row Connector for Secondary Power (Product Compliant to UL/CSA Standard)

Double Row Pin Header: Straight Type

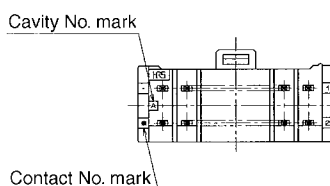
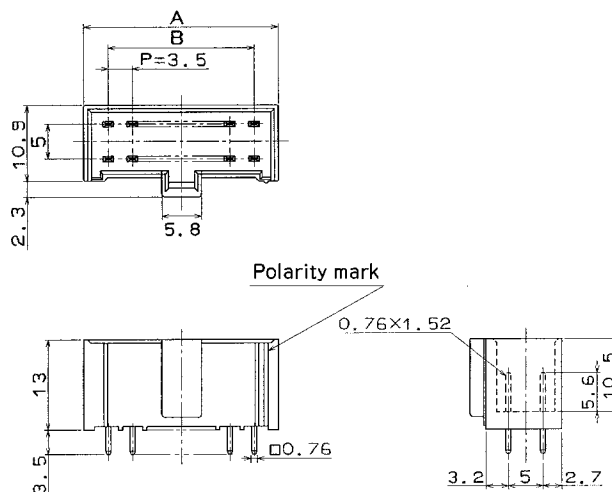


- Board Hole Diameter : $\phi 1.3^{+0.1}$
- Applicable Board Thickness : 1.6 ± 0.2

Unit: mm

Part Number	CL No.	Number of Contacts	A	B	RoHS
MDF6- 4DP-3.5DSA(05)	547-0083-2-05	4	10.5	3.5	Yes
MDF6- 6DP-3.5DSA(05)	547-0084-5-05	6	14	7	
MDF6- 8DP-3.5DSA(05)	547-0085-8-05	8	17.5	10.5	
MDF6-10DP-3.5DSA(05)	547-0086-0-05	10	21	14	
MDF6-12DP-3.5DSA(05)	547-0087-3-05	12	24.5	17.5	
MDF6-14DP-3.5DSA(05)	547-0088-6-05	14	28	21	
MDF6-16DP-3.5DSA(05)	547-0089-9-05	16	31.5	24.5	
MDF6-18DP-3.5DSA(05)	547-0090-8-05	18	35	28	
MDF6-20DP-3.5DSA(05)	547-0091-0-05	20	38.5	31.5	

Note1: A packaging quantity is delivered by the bag unit (100 pcs.). If needed, please order the products per bag.



Double Row Pin Header: Right Angle Type

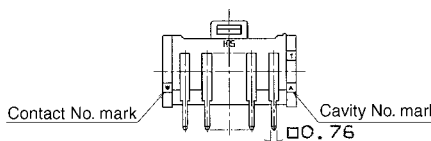
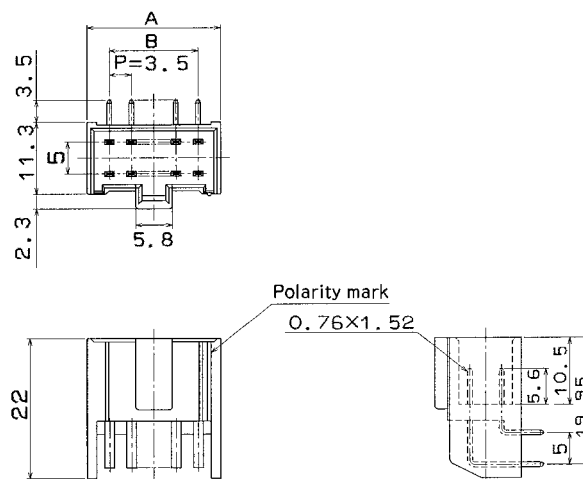


- Board Hole Diameter : $\phi 1.3^{+0.1}$
- Applicable Board Thickness : 1.6 ± 0.2

Unit: mm

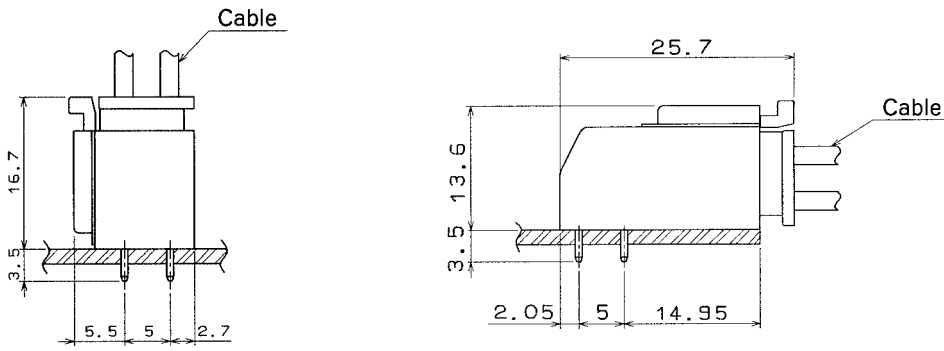
Part Number	CL No.	Number of Contacts	A	B	RoHS
MDF6- 4DP-3.5DS(05)	547-0270-0-05	4	10.5	3.5	Yes
MDF6- 6DP-3.5DS(05)	547-0271-2-05	6	14	7	
MDF6- 8DP-3.5DS(05)	547-0272-5-05	8	17.5	10.5	
MDF6-10DP-3.5DS(05)	547-0273-8-05	10	21	14	

Note1: A packaging quantity is delivered by the bag unit (100 pcs.). If needed, please order the products per bag.



MDP6 Series 3.5mm Pitch Miniature Double Row Connector for Secondary Power (Product Compliant to UL/CSA Standard)

◆ Application Pattern



◆ Precautions

1. Recommended Soldering Condition	Flow: 250°C for 10 seconds max. Manual soldering: 300°C for 3 seconds max.
2. Cleaning Condition	Refer to the "Nylon Connector Use Hand book".
3. Connection Condition	Refer to the "Nylon Connector Use Hand book".
4. Cautions	■The color phase of this product is slightly different from that of the formed product according to the manufacturing lot and future storage conditions, but the difference doesn't affect the performance.
5. Precautions	Refer to the "Nylon Connector Use Hand book".