



Chipsmall Limited consists of a professional team with an average of over 10 year of expertise in the distribution of electronic components. Based in Hongkong, we have already established firm and mutual-benefit business relationships with customers from,Europe,America and south Asia,supplying obsolete and hard-to-find components to meet their specific needs.

With the principle of “Quality Parts,Customers Priority,Honest Operation,and Considerate Service”,our business mainly focus on the distribution of electronic components. Line cards we deal with include Microchip,ALPS,ROHM,Xilinx,Pulse,ON,Everlight and Freescale. Main products comprise IC,Modules,Potentiometer,IC Socket,Relay,Connector.Our parts cover such applications as commercial,industrial, and automotives areas.

We are looking forward to setting up business relationship with you and hope to provide you with the best service and solution. Let us make a better world for our industry!



## Contact us

Tel: +86-755-8981 8866 Fax: +86-755-8427 6832

Email & Skype: info@chipsmall.com Web: www.chipsmall.com

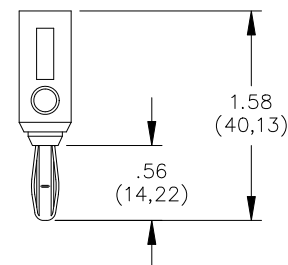
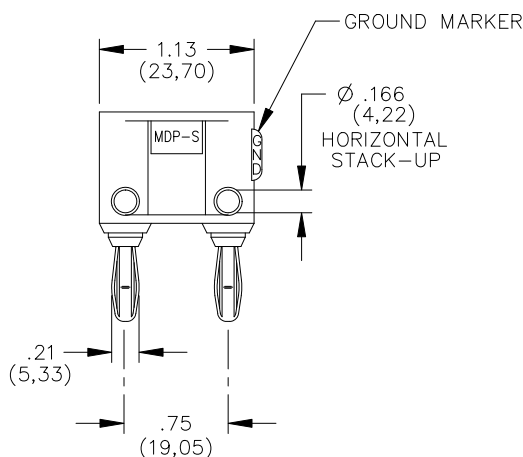
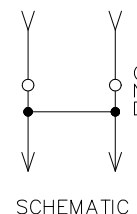
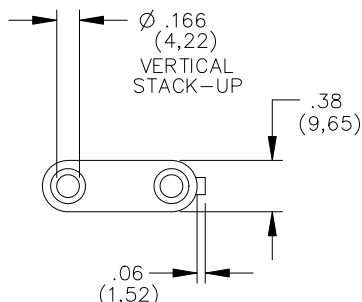
Address: A1208, Overseas Decoration Building, #122 Zhenhua RD., Futian, Shenzhen, China



**Model MDP-S**  
**Double Banana Plug with Shorting Bar, Stackable**



**Model MDP-S**  
**Double Banana Plug with**  
**Shorting Bar, Stackable**



**Features**

- Banana plugs are internally shorted with #18 AWG wire.
- Banana plugs can be vertically and horizontally stacked for test versatility.
- Banana plug springs are Nickel Plated, Beryllium Copper for long insertion cycle life.

**Materials**

- Banana Jacks:* Brass, Nickel Plated  
*Banana Plugs:*  
 Body: Brass, Nickel Plated  
 Spring: Beryllium Copper, Nickel Plated  
*Insulation:* Polypropylene  
 Marking: "MDP-S, POMONA ELECTRONICS  
 CO, INC. POMONA CALIFORNIA"  
 "SHORTING BAR"

**Specifications**

- Operating Voltage:**  
 Hands free usage in controlled voltage environments: 5000 Vrms maximum.  
*For CE compliance:* not intended for hand-held use at voltages above 33 Vrms/70 Vdc.  
**Operating Temperature:** +50°C (+122°F) Max.  
**Current:** 15 Amperes

**Ordering Information**

- Model:** MDP-S-Color  
**Colors =** 0 (Black), 2 (Red), 9 (White)

*Ordering Example:* MDP-S-2 (Double Banana Plug with Red insulation)

**USA:** Sales: 800-490-2361  
 Technical Support: [technicalsupport@pomonatest.com](mailto:technicalsupport@pomonatest.com)  
 Fax: 425-446-5844  
**Europe:** 31-(0) 40 2675 150 **International:** 425-446-5500  
**Where to Buy:** [www.pomonaelectronics.com](http://www.pomonaelectronics.com)

All dimensions are in inches. Tolerances (except noted): .xx = ±.02" (.51 mm), .xxx = ±.005" (.127 mm). All specifications are to the latest revisions. Specifications are subject to change without notice. Registered trademarks are the property of their respective companies.