



Chipsmall Limited consists of a professional team with an average of over 10 year of expertise in the distribution of electronic components. Based in Hongkong, we have already established firm and mutual-benefit business relationships with customers from,Europe,America and south Asia,supplying obsolete and hard-to-find components to meet their specific needs.

With the principle of "Quality Parts,Customers Priority,Honest Operation,and Considerate Service",our business mainly focus on the distribution of electronic components. Line cards we deal with include Microchip,ALPS,ROHM,Xilinx,Pulse,ON,Everlight and Freescale. Main products comprise IC,Modules,Potentiometer,IC Socket,Relay,Connector.Our parts cover such applications as commercial,industrial, and automotives areas.

We are looking forward to setting up business relationship with you and hope to provide you with the best service and solution. Let us make a better world for our industry!



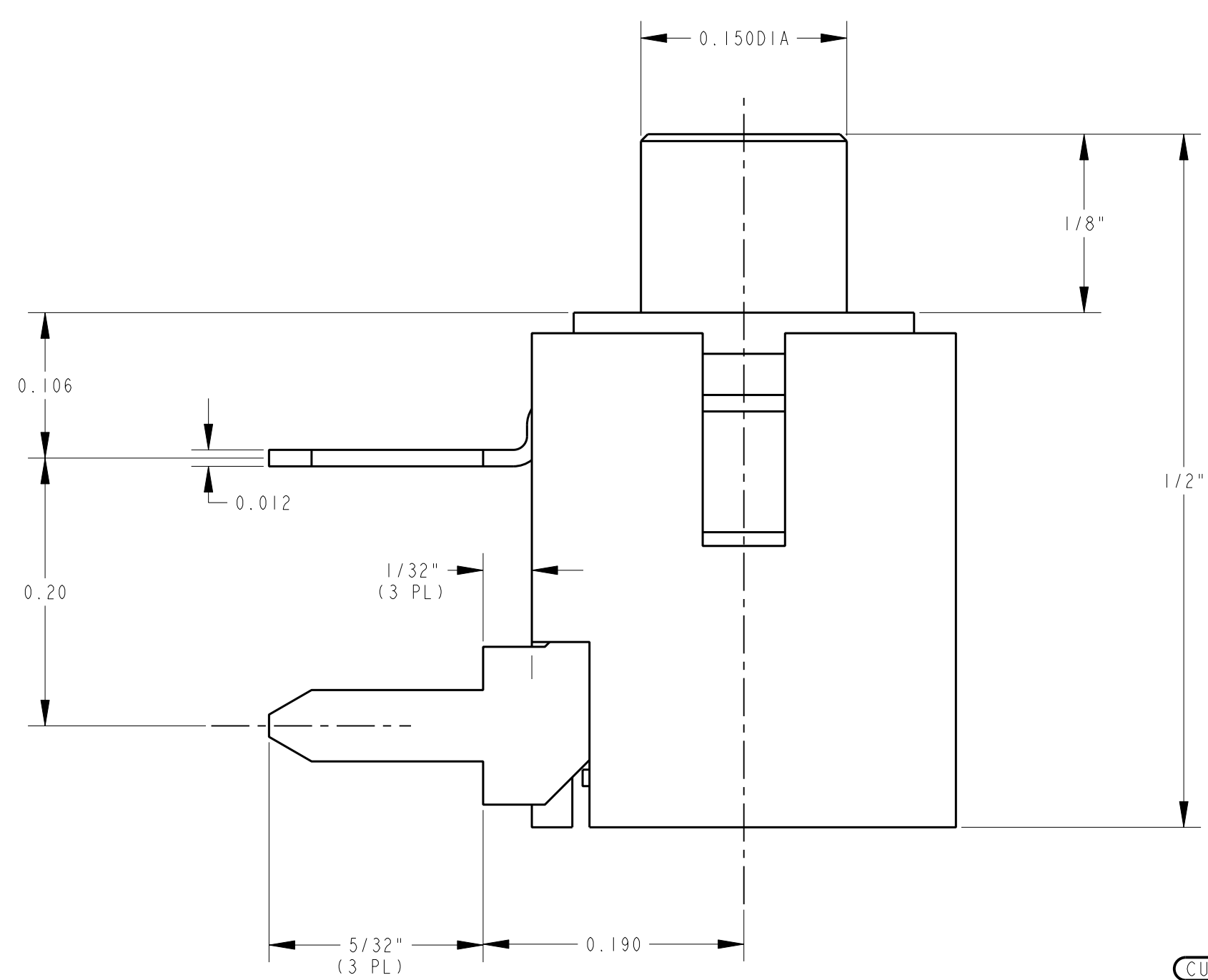
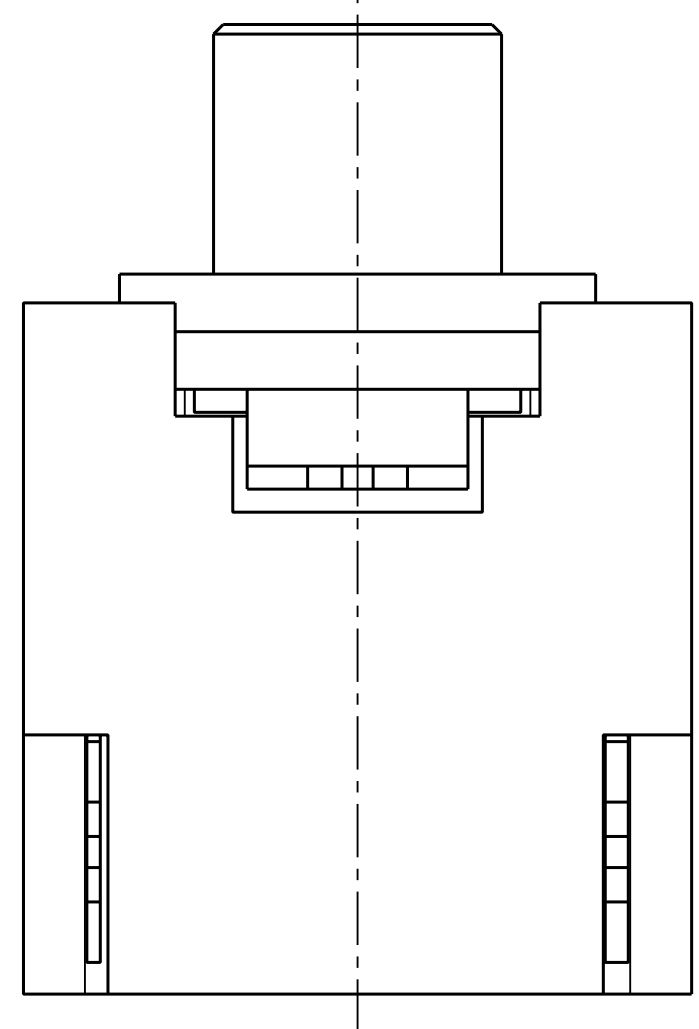
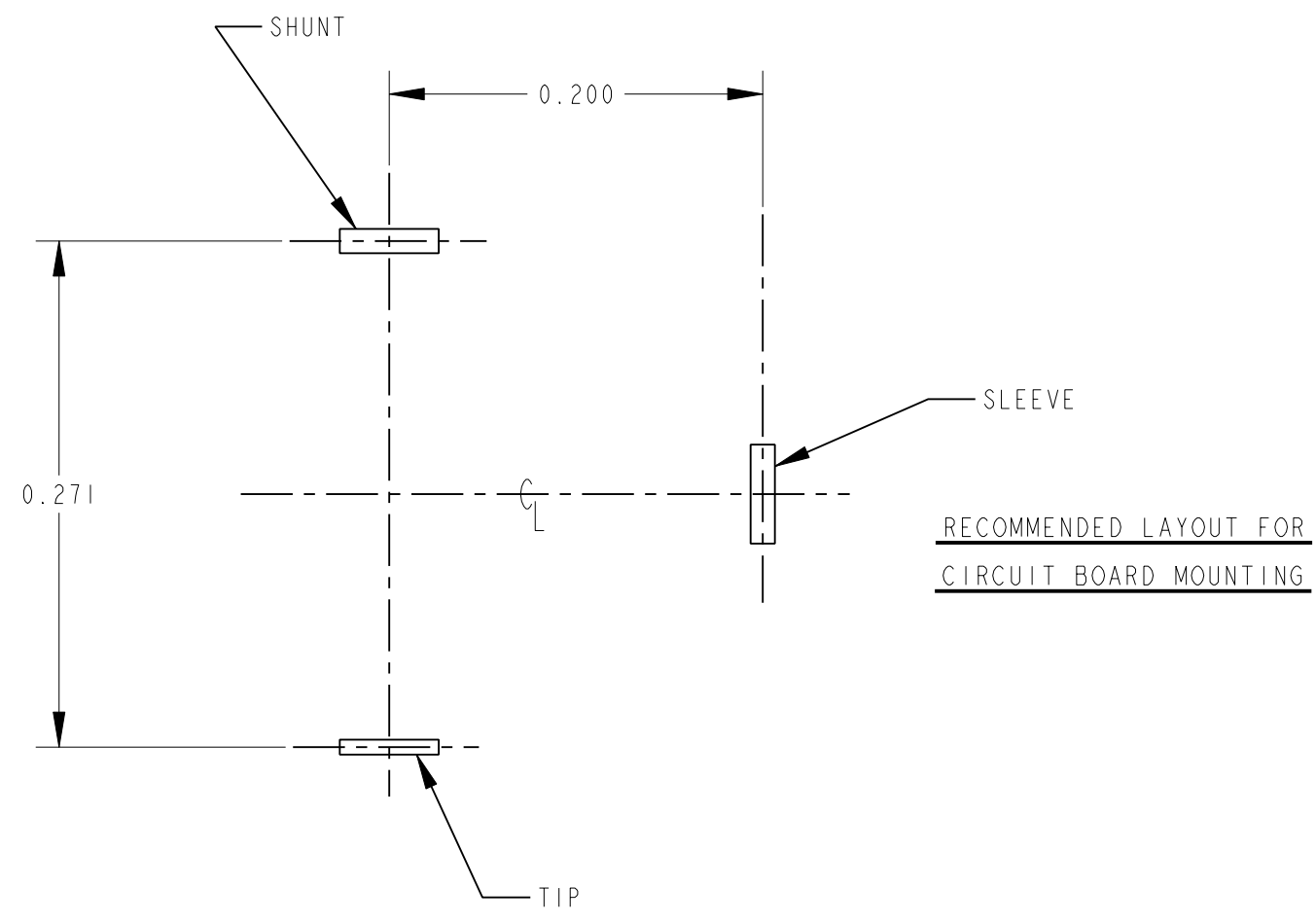
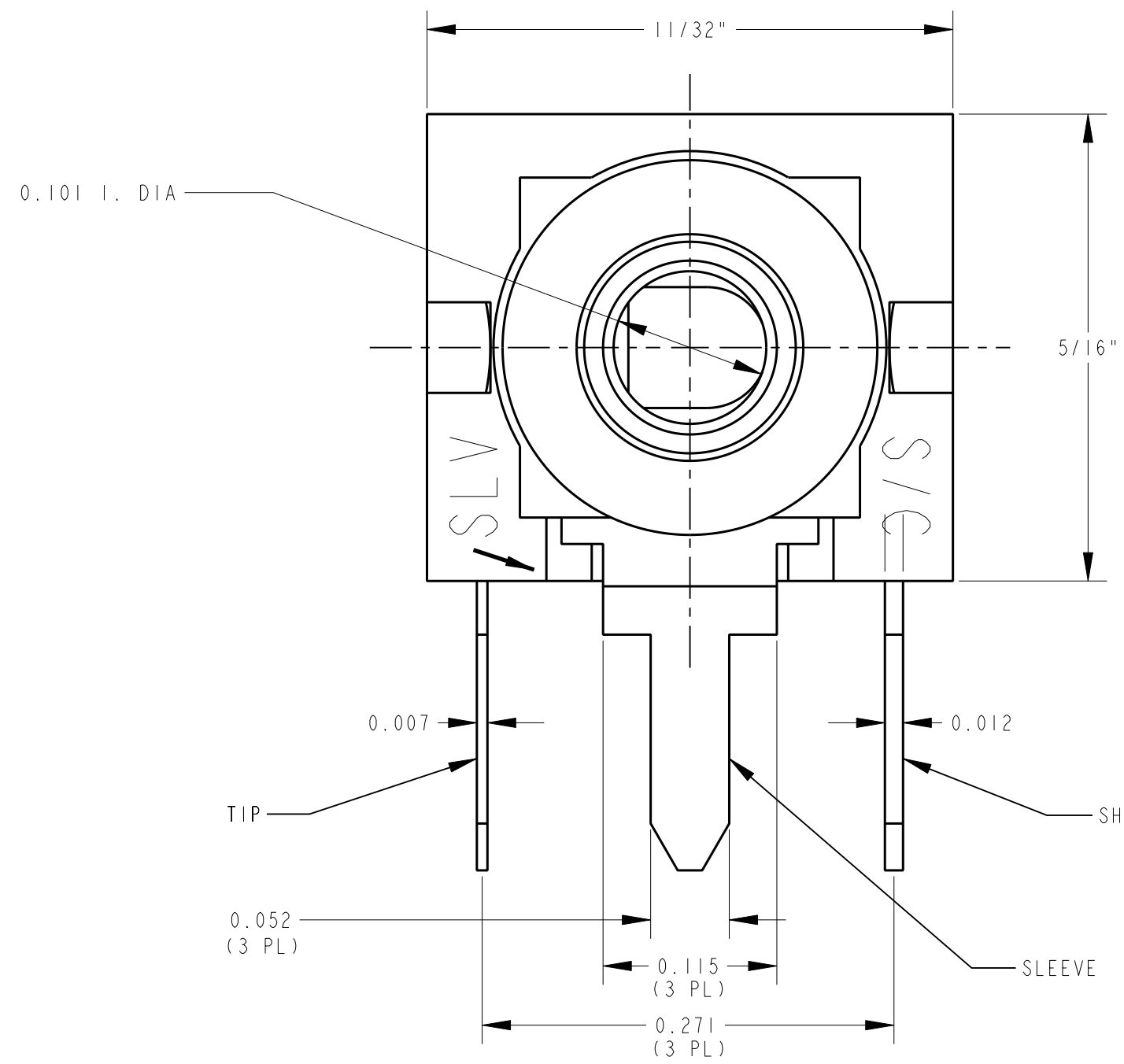
Contact us

Tel: +86-755-8981 8866 Fax: +86-755-8427 6832

Email & Skype: info@chipsmall.com Web: www.chipsmall.com

Address: A1208, Overseas Decoration Building, #122 Zhenhua RD., Futian, Shenzhen, China





NOTES:
1. ALL DIMENSIONS ARE FOR REFERENCE ONLY.

MATERIAL:
 ⑥ HOUSING: POLYCARBONATE (REF: LEXAN 500)
 BUSHING & MTG. HARDWARE: NICKEL PLATED BRASS
 SLEEVE & SHUNT TERMINALS: SILVER PLATED COPPER ALLOY
 TIP TERMINAL: SILVER PLATED BERYLCO 25

CUSTOMER DRAWING
 CAD/CAM DWG. NO.
 s.mdpc2ara_cd
 SHEET 1 OF 1

REVISIONS					STAR SYMBOL DENOTES CRITICAL DIMENSION. SEE S/C ENGINEERING STANDARD ES-0001.				THIS DRAWING DESCRIBES A DESIGN CONSIDERED PROPRIETARY IN NATURE, DEVELOPED AND MANUFACTURED BY SWITCHCRAFT INC. AND IS RELEASED ON A CONFIDENTIAL BASIS FOR IDENTIFICATION PURPOSE ONLY.					
G	ECO #21788	6-24-97	RC	JF	UNLESS OTHERWISE SPECIFIED				SIZE	WIDTH	MULT	LBS./M	TEMPER	
F	ECO #20627	1-25-96	DEA	TAO	1. ALL DIMENSIONS IN INCHES TWO PLACE DECIMAL ±.01 THREE PLACE DECIMAL ±.005 FRACTIONAL DIMENSIONS ±1/64 ANGLES ±1/2° ALL DIA'S CONCENTRIC WITHIN .005 T.I.R.				FINISH	MATERIAL				
E	ECO #20522	4-4-96	DEA	JF	2. REMOVE ALL BURRS				SPEC. NO.	SCALE				
D	ECO #20358	2-11-95	DEA	TAO	3. MAKE NO DIMENSIONAL ALLOWANCES FOR APPLIED FINISHES, I.E., PLATING, PAINTING, ETC.				FIRST USED ON	1 = 0.100		Switchcraft®		
C	ECO #20212	2-11-95	DEA	TAO	4. HOLES ON THE SAME CENTERLINE MUST BE ALIGNED WITHIN ±.002				DATE DRAWN	BY	CHK'D		APP'D	
B	REDRAWN ON CAD ECO #20206	2-11-95	DEA	TAO					6-4-76	FGD	JRH	LG		
ISSUE	CHANGE NO.	DATE	BY	APP'D					NAME	MICRO-JACK		PART NO.	ISSUE	
					DO NOT SCALE DRAWING								MDPC2ARA	G

