



Chipsmall Limited consists of a professional team with an average of over 10 year of expertise in the distribution of electronic components. Based in Hongkong, we have already established firm and mutual-benefit business relationships with customers from,Europe,America and south Asia,supplying obsolete and hard-to-find components to meet their specific needs.

With the principle of "Quality Parts,Customers Priority,Honest Operation,and Considerate Service",our business mainly focus on the distribution of electronic components. Line cards we deal with include Microchip,ALPS,ROHM,Xilinx,Pulse,ON,Everlight and Freescale. Main products comprise IC,Modules,Potentiometer,IC Socket,Relay,Connector.Our parts cover such applications as commercial,industrial, and automotives areas.

We are looking forward to setting up business relationship with you and hope to provide you with the best service and solution. Let us make a better world for our industry!



Contact us

Tel: +86-755-8981 8866 Fax: +86-755-8427 6832

Email & Skype: info@chipsmall.com Web: www.chipsmall.com

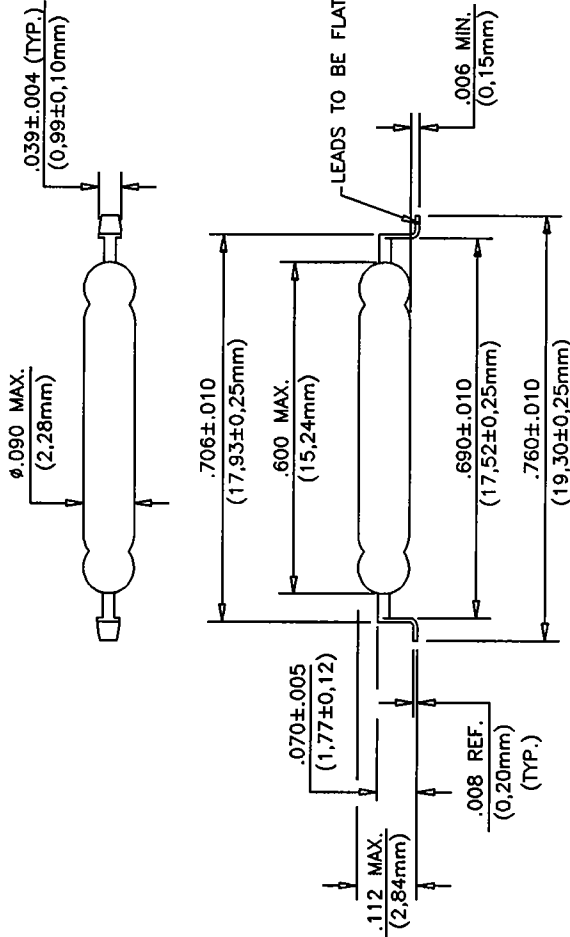
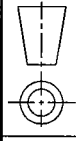
Address: A1208, Overseas Decoration Building, #122 Zhenhua RD., Futian, Shenzhen, China



ELECTRICAL RATINGS		
CONTACT FORM	A	
CONTACT RATING	10	
RATING SENSITIVITY	WATTS	20
VOLTAGE	SWITCHING	VDC-MAX.
	BREAKDOWN	VDC-MIN.
	ARC-QUENCH	VDC-MIN.
CURRENT	SWITCHING	AMPERES-MAX.
	CARRY	AMPERES-MAX.
RESISTANCE	CONTACT, INITIAL	OHMS-MAX.
	INSULATION	OHMS-MIN.
CAPACITANCE	PICOFARADS-TYP.	

OPERATING CHARACTERISTICS	
OPERATE TIME	ms-MAX.
RELEASE TIME	ms-MAX.
SHOCK	G'S MAX., 11ms 1/2 SINE WAVE
	G'S MAX., 50-2000 HERTZ
RESONANT FREQUENCY	HERTZ, TYP.
TEMPERATURE STORAGE	DEGREES, CELSIUS
	DEGREES, CELSIUS

SEE REED SWITCH CATALOG FOR DEFINITION OF TERMS



TIN PLATED LEADS

MAGNETIC CHARACTERISTICS	
TEST COIL	L4989
STANDARD TOLERANCE	AMPERE TURNS
PULL-IN RANGES BEFORE MOD.	12-23
	17-28
	22-33
	27-38

PACKAGING TAPE AND REEL - 3000/REEL
SEE PAGE 2 OF 2 FOR TAPE AND REEL
DETAIL.

© HAMLIN, Incorporated
1996

This design and print is copyright and is the property of HAMLIN, Inc. It must not be copied or permitted to be copied, nor may its contents be divulged to any third party without the prior written permission from the company.

MDSM-4R

HAMLIN, Inc.

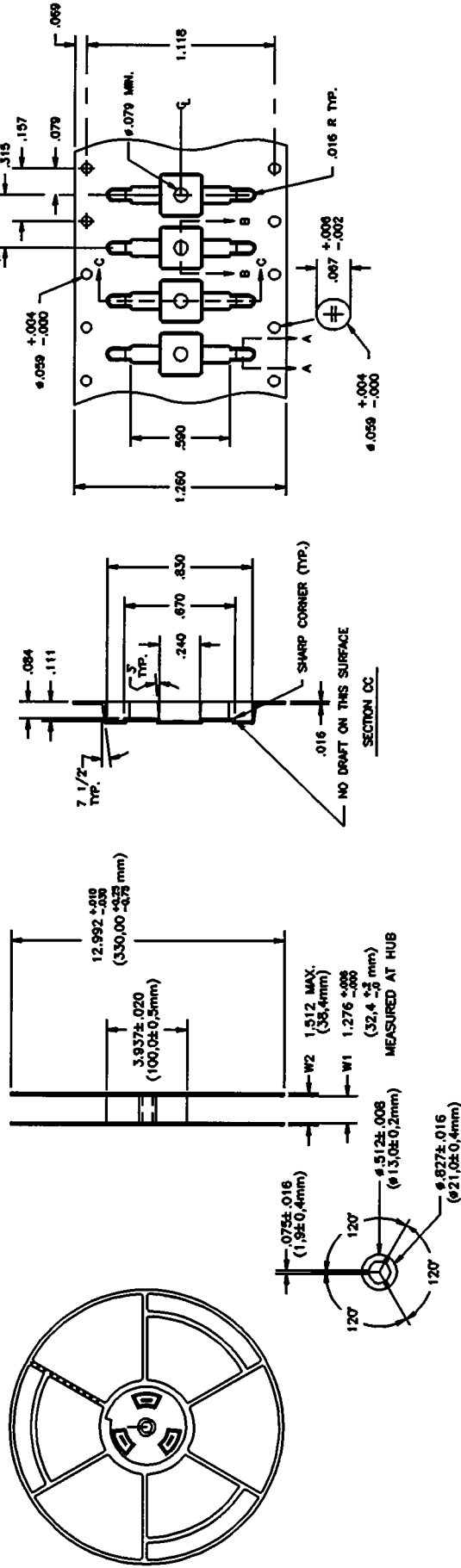
DCR No. A5406

AD	ADD DIM TO OUTSIDE LEG FORM	A9340	GJ	11/5/01	GJ	11/7/01
REV.	DESCRIPTION OF REVISION	DCR No.	BY	DATE	APP.	DATE

Dwn.	RLB	DATE	12/17/96
App'd	GJ	DATE	12/18/96

D10-5277

Page 1 of 2



MATERIAL: ANTISTATIC PS

MDSM-4R

HAMLIN, Inc.

DCR No. A5406

REV.	DESCRIPTION OF REVISION	DCR No.	BY	DATE	APP.	DATE
AD	ADD DIM TO OUTSIDE LEG FORM	A9340	GJ	11/5/01	GJ	11/7/01