



Chipsmall Limited consists of a professional team with an average of over 10 year of expertise in the distribution of electronic components. Based in Hongkong, we have already established firm and mutual-benefit business relationships with customers from,Europe,America and south Asia,supplying obsolete and hard-to-find components to meet their specific needs.

With the principle of "Quality Parts,Customers Priority,Honest Operation,and Considerate Service",our business mainly focus on the distribution of electronic components. Line cards we deal with include Microchip,ALPS,ROHM,Xilinx,Pulse,ON,Everlight and Freescale. Main products comprise IC,Modules,Potentiometer,IC Socket,Relay,Connector.Our parts cover such applications as commercial,industrial, and automotives areas.

We are looking forward to setting up business relationship with you and hope to provide you with the best service and solution. Let us make a better world for our industry!



Contact us

Tel: +86-755-8981 8866 Fax: +86-755-8427 6832

Email & Skype: info@chipsmall.com Web: www.chipsmall.com

Address: A1208, Overseas Decoration Building, #122 Zhenhua RD., Futian, Shenzhen, China



PHONE JACKS

2.5mm SMT Jacks from Switchcraft

PRODUCT
BULLETIN
545

Switchcraft introduces a new series of 2.5mm jacks. These low profile jacks come in a wide variety of circuits, both 2 and 3 conductor versions. Circuits include mono closed, stereo open, stereo tip closed and ring open, and stereo closed. The MDSMT Series is available on tape and reel only. Contact Switchcraft for exact dimensions of the reels. They're designed for use in today's electronic equipment that features remote speakers, headsets, and headphones. While they are more compact than commonly used PC mount phone jacks, they are still extremely durable.

Features and Benefits

- SMT mounting
- Tape and reel packaging
- Wide variety of circuits

Applications

- Computer
- Video Cameras
- Personal/Portable Audio Devices
- Multimedia

Specifications

Electrical

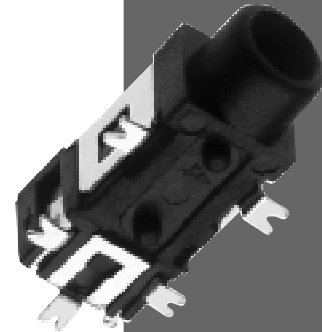
Current Rating: 3A
Contact Resistance: <50 mohms
Insulation Resistance: 100 mohms (min.)
Dielectric Withstanding Voltage:
250VAC @ 1 minute

Mechanical

Lifecycles: 5,000
Operating Temperature: -25°C to +85°C

Material

Housing: Black thermoplastic
Sleeve, Ring and Tip Terminals: Copper Alloy,
silver-plated
Shunt Terminal: Copper Alloy, Silver-plated



Part Number	Description
MDSMT2BRATR	Stereo, dual open circuit
MDSMT2ARATR	Mono, closed circuit
MDSMT3BRATR	Stereo, tip closed and ring open circuit
MDSMT4BRATR	Stereo, dual closed circuit

Switchcraft[®]
w w w . s w i t c h c r a f t . c o m