



Chipsmall Limited consists of a professional team with an average of over 10 year of expertise in the distribution of electronic components. Based in Hongkong, we have already established firm and mutual-benefit business relationships with customers from,Europe,America and south Asia,supplying obsolete and hard-to-find components to meet their specific needs.

With the principle of “Quality Parts,Customers Priority,Honest Operation,and Considerate Service”,our business mainly focus on the distribution of electronic components. Line cards we deal with include Microchip,ALPS,ROHM,Xilinx,Pulse,ON,Everlight and Freescale. Main products comprise IC,Modules,Potentiometer,IC Socket,Relay,Connector.Our parts cover such applications as commercial,industrial, and automotives areas.

We are looking forward to setting up business relationship with you and hope to provide you with the best service and solution. Let us make a better world for our industry!



## Contact us

Tel: +86-755-8981 8866 Fax: +86-755-8427 6832

Email & Skype: info@chipsmall.com Web: www.chipsmall.com

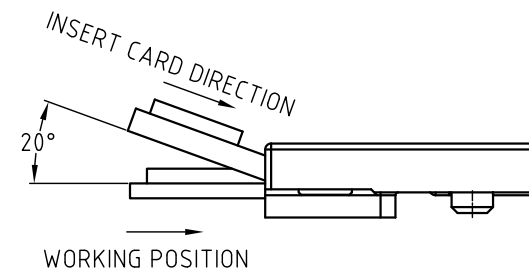
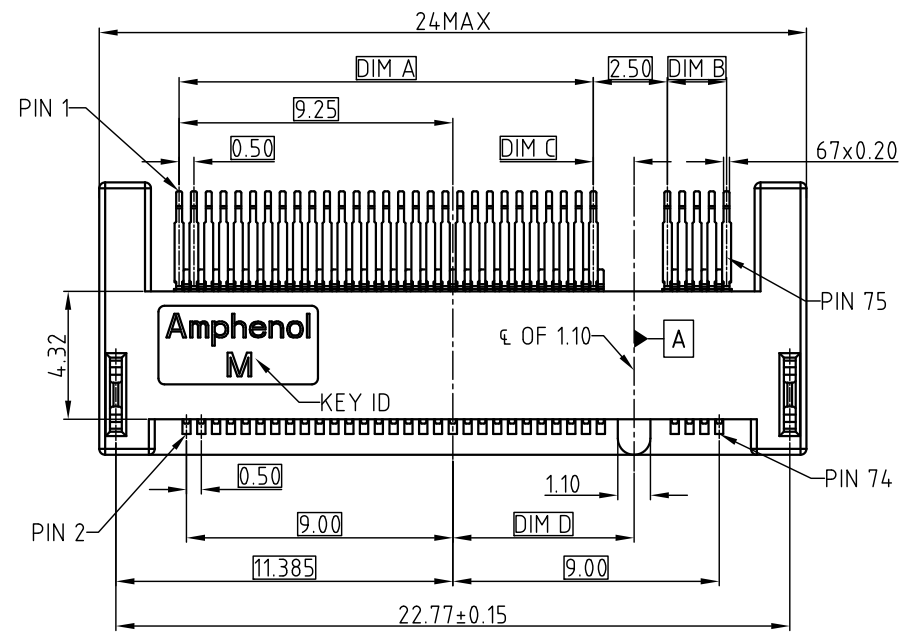
Address: A1208, Overseas Decoration Building, #122 Zhenhua RD., Futian, Shenzhen, China



This document is the property of Amphenol Corporation and is delivered on the express condition that it is not to be disclosed, reproduced or used, in whole or in part, for manufacture or sale by anyone other than Amphenol Corporation without its prior consent, & that no right is granted to disclose or to use any information in this document.

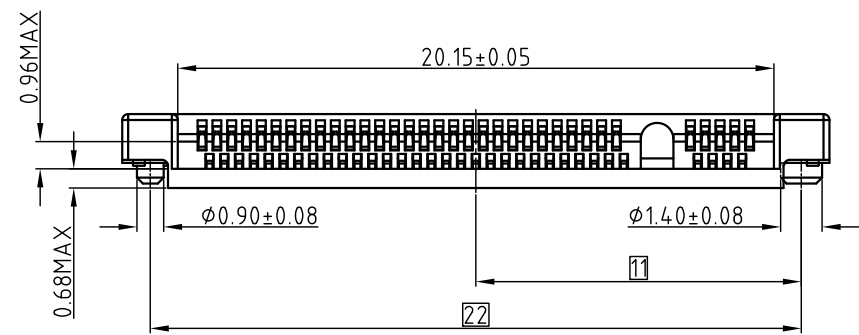
# CUSTOMER DRAWING

REVISIONS				
SYM	ECN	DESCRIPTION	DATE	APPROVED
1	CDXXXX	NEW RELEASE	JAN.06,2014	YH



NOTE:

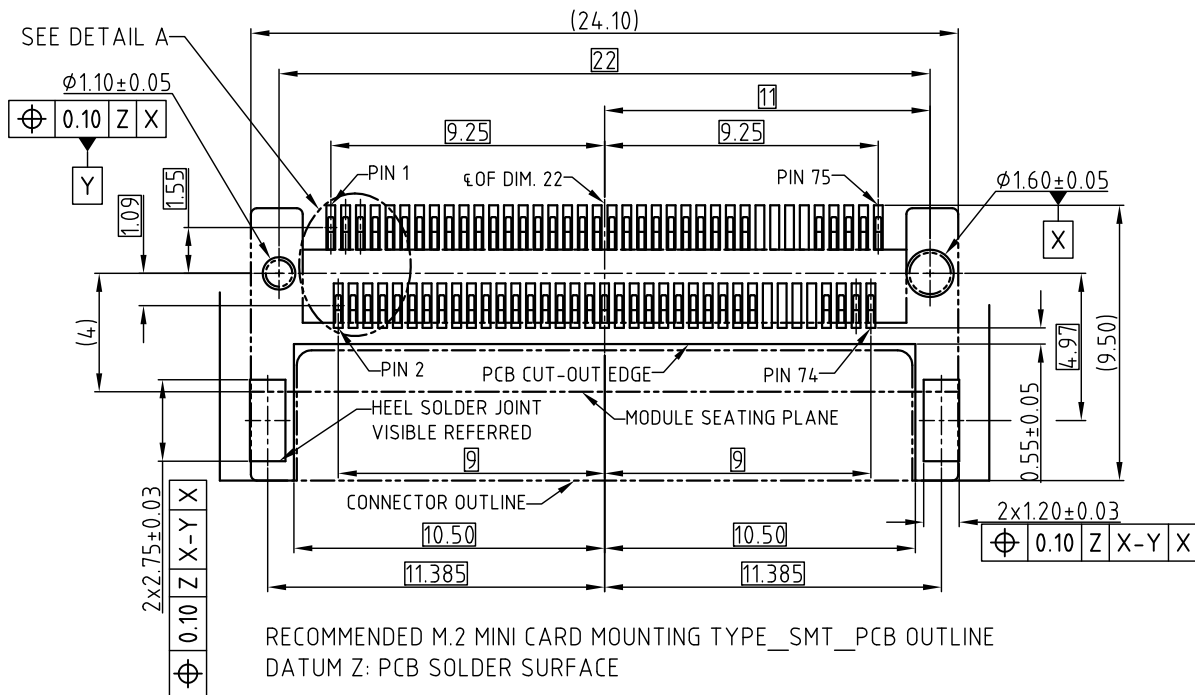
- MATERIAL:
  - PLASTIC: LCP, UL 94V-0, BLACK
  - CONTACT: COPPER ALLOY
  - BOARD LOCK: ALLOY
- FINISHED:
  - CONTACT AREA: SEE P/N SYSTEM
  - SOLDER AREA: GOLD FLASH
  - BOARD LOCK: TIN PLATING
  - UNDERPLATED: NI PLATING
- ELECTRICAL PERFORMANCE:
  - 3.1 CURRENT RATING: 0.5A PER PIN, VOLTAGE RATING: 50 VAC PER PIN
  - 3.2 DIELECTRIC STRENGTH: 300V AC FOR 1 MINUTE
  - 3.3 INSULATION RESISTANCE: 500MΩ MIN
  - 3.4 CONTACT RESISTANCE: 55mΩ MAX
  - 3.5 OPERATION TEMPERATURE: -40°C TO +80°C
- MATERIAL SHOULD BE FULFILLED AMPHENOL SPEC# S-SN-002
- PRODUCT SHOULD BE FULFILLED AMPHENOL PACKAGE SPEC#PKS-MTD-001



FOR ALL SOLDER TAILS

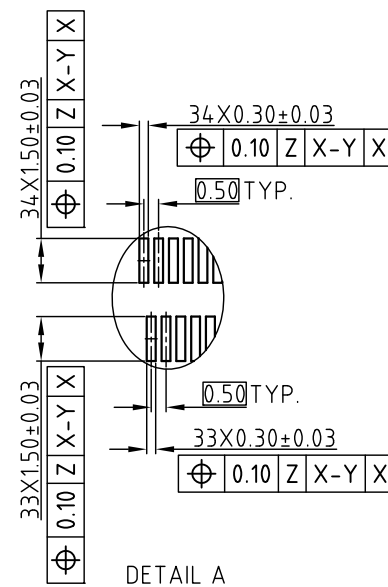
ORDER P/N SYSTEM:

- MDT 180 X XX 001
- PLATING
    - 01 0.76 MICRONS GOLD PLATING
    - 02 0.38 MICRONS GOLD PLATING
    - 03 GOLD FLASH
  - CONNECTOR KEY ID
    - A - KEY A
    - B - KEY B
    - E - KEY E
    - M - KEY M
    - ...



RECOMMENDED M.2 MINI CARD MOUNTING TYPE\_SMT\_PCB OUTLINE  
DATUM Z: PCB SOLDER SURFACE

NOTE: PCB WILL NEED TO BE CUT-OUT TO PROVIDE CLEARANCE FOR THE CONNECTOR, THE REFERENCE DIMENSIONS ON THIS FIGURE PROVIDE GUIDANCE. ADDITIONAL CUT-OUT MAY BE REQUIRED FOR THE MODULE.



## PROPOSAL DRAWING

KEY ID	DIM.A	DIM.B	DIM.C	DIM.D	REMARK
M	14.0	2.0	1.375	6.125	
E	5.5	10.5	1.125	-2.625	
B	2.5	13.5		-5.625	
A	1.5	14.5		-6.625	

UNLESS OTHERWISE SPECIFIED TOLERANCES		APPROVAL		DATE	
U.S. METRIC		DRAWN Yunx.liu		JAN.06,2014	
.X +/- 0.50		CHECKED Ly.yi		JAN.06,2014	
.XX +/- 0.25		APPROVED			
.XXX +/-		DRAWING FILE :			
FRACTIONS +/-		DRAWING\MDT\CMDT180XXX001			
ANGLES +/- 5°		ANGLE OF PROJECTION			
FOR MATERIALS AND FINISHES SEE NOTES		REMOVE SHARP EDGES			
DIMENSIONS		ANGLE OF PROJECTION			
U.S. INCHES		DRAWING			
(METRIC) (MM)		DRAWING			

TITLE		
Amphenol		
M.2 MINI PCIe CONECTOR (MID LINE)		
SIZE	DRAWING NO.	REV.
A3	C MDT-180-X-XX-001	1
SCALE	NONE	SHEET 1 OF 1