



Chipsmall Limited consists of a professional team with an average of over 10 year of expertise in the distribution of electronic components. Based in Hongkong, we have already established firm and mutual-benefit business relationships with customers from,Europe,America and south Asia,supplying obsolete and hard-to-find components to meet their specific needs.

With the principle of “Quality Parts,Customers Priority,Honest Operation,and Considerate Service”,our business mainly focus on the distribution of electronic components. Line cards we deal with include Microchip,ALPS,ROHM,Xilinx,Pulse,ON,Everlight and Freescale. Main products comprise IC,Modules,Potentiometer,IC Socket,Relay,Connector.Our parts cover such applications as commercial,industrial, and automotives areas.

We are looking forward to setting up business relationship with you and hope to provide you with the best service and solution. Let us make a better world for our industry!



## Contact us

Tel: +86-755-8981 8866 Fax: +86-755-8427 6832

Email & Skype: info@chipsmall.com Web: www.chipsmall.com

Address: A1208, Overseas Decoration Building, #122 Zhenhua RD., Futian, Shenzhen, China



REVISION Q

CARD SLOT THICKNESS	"A"	"G"
-02	.072 [1.83]	.0265[.673]

EDGE MOUNT OPTION	"B"	"C"	"D"	"E"	"F"
-EM1	.016 [1.41]	.027 [1.69]	.185 [4.70]	.05 [1.3]	.126 [3.20]
-EM2	.054 [1.37]	.058 [1.47]	.195 [4.95]	.04 [1.0]	.108 [2.74]

MEC1-1XX-XX-XX-D-EMX-XX

No OF POSITIONS

-05, -08, -20, -30, -40, -50, -60 & -70 (PER ROW)

CARD SLOT THICKNESS

-02: .062 THICK CARD (USE MEC1-XX-S-D-EMX-X) (SEE TABLE 1)

PLATING

-F: FLASH GOLD (USE C-150-07-F-P)  
 -L: LIGHT SELECTIVE GOLD (USE C-150-07-L-P)  
 -S: SELECTIVE GOLD (USE C-150-07-S-P)  
 -FM: FLASH GOLD SELECTIVE, MATTE TIN TAIL (USE C-150-07-F-P)  
 -LM: LIGHT SELECTIVE GOLD, MATTE TIN TAIL (USE C-150-07-L-P)  
 -SM: SELECTIVE GOLD, MATTE TIN TAIL (USE C-150-07-S-P)

OPTIONS

-NP: NO POLARIZED POSITION (USE MEC1-XX-X-D-EMX-N) (ONLY AVAILABLE ON -05, -08, -20 & -30 POSITIONS)  
 -TR: (SEE PAGE 2 -TR PACKAGE VIEW, NOT AVAILABLE FOR -60 OR -70 POS.)  
 -BLANK: BODY IS POLARIZED

EDGE MOUNT OPTION

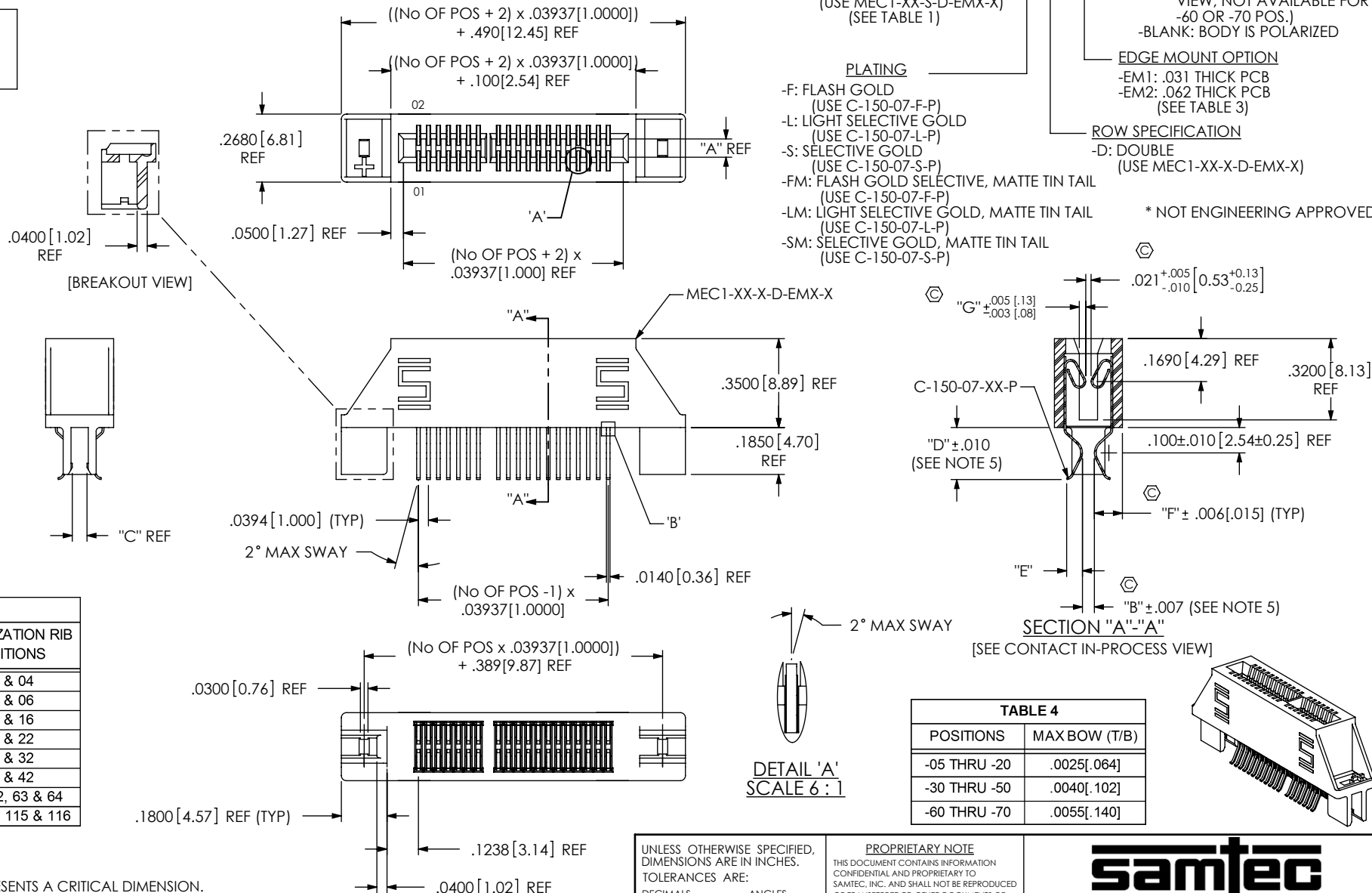
-EM1: .031 THICK PCB  
 -EM2: .062 THICK PCB (SEE TABLE 3)

ROW SPECIFICATION

-D: DOUBLE (USE MEC1-XX-X-D-EMX-X)

\* NOT ENGINEERING APPROVED

DO NOT SCALE FROM THIS PRINT



POSITIONS	POLARIZATION RIB POSITIONS
-05	03 & 04
-08	05 & 06
-20	15 & 16
-30	21 & 22
-40	31 & 32
-50	41 & 42
-60	31 & 32, 63 & 64
-70	53 & 54, 115 & 116

- NOTES:
- ⊕ REPRESENTS A CRITICAL DIMENSION.
  - BURR ALLOWANCE: .0015[.038] MAX.
  - MINIMUM PUSHOUT FORCE: .5 LB.
  - DELETED.
  - .020[.51] MAX VARIATION ON ONE PART.
  - .0040[.102] MAX ALLOWABLE BURR ON TAILS.
  - DELETED.
  - .0050[.127] MAX BARB PROTRUSION BELOW BODY.
  - PART TO BE TRAY PACKAGED USING TRAY-XX-01.

POSITIONS	MAX BOW (T/B)
-05 THRU -20	.0025[.064]
-30 THRU -50	.0040[.102]
-60 THRU -70	.0055[.140]

UNLESS OTHERWISE SPECIFIED, DIMENSIONS ARE IN INCHES. TOLERANCES ARE:

DECIMALS	ANGLES
.XX: ±.01 [.3]	2°
.XXX: ±.005 [.13]	
.XXXX: ±.0020 [.051]	

**PROPRIETARY NOTE**  
 THIS DOCUMENT CONTAINS INFORMATION CONFIDENTIAL AND PROPRIETARY TO SAMTEC, INC. AND SHALL NOT BE REPRODUCED OR TRANSFERRED TO OTHER DOCUMENTS OR DISCLOSED TO OTHERS OR USED FOR ANY PURPOSE OTHER THAN THAT WHICH IT WAS OBTAINED WITHOUT THE EXPRESSED WRITTEN CONSENT OF SAMTEC, INC.

**MATERIAL:** DO NOT SCALE DRAWING SHEET SCALE: 1:75:1

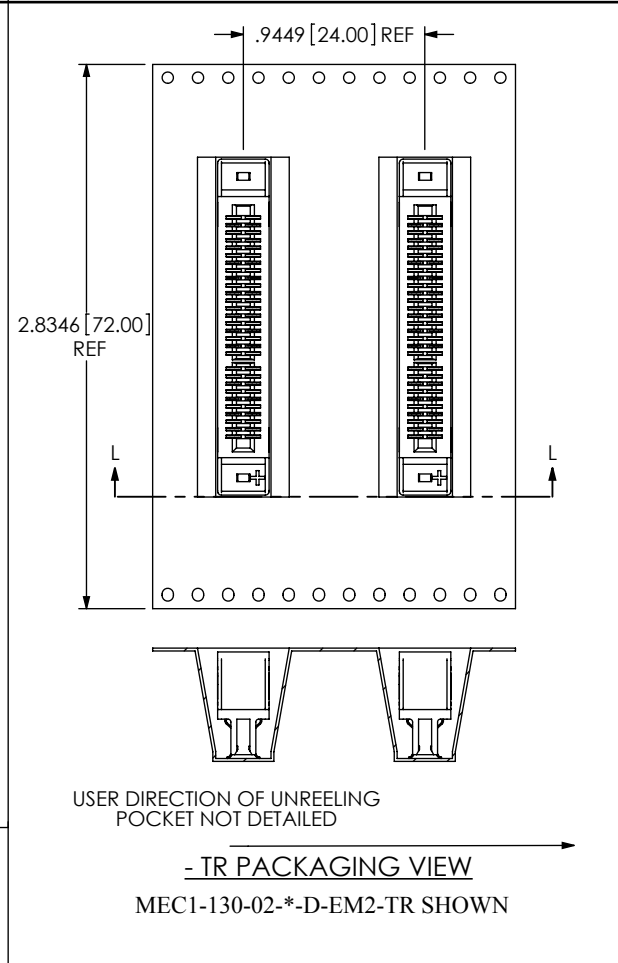
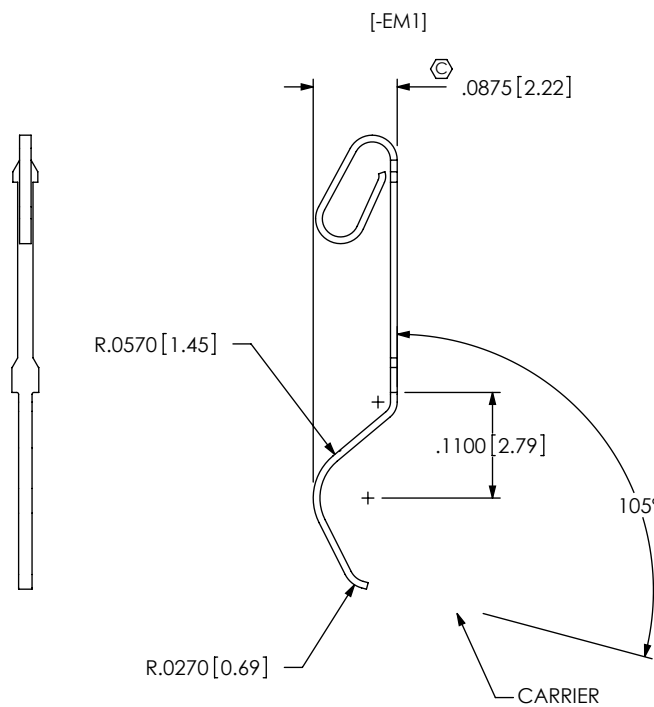
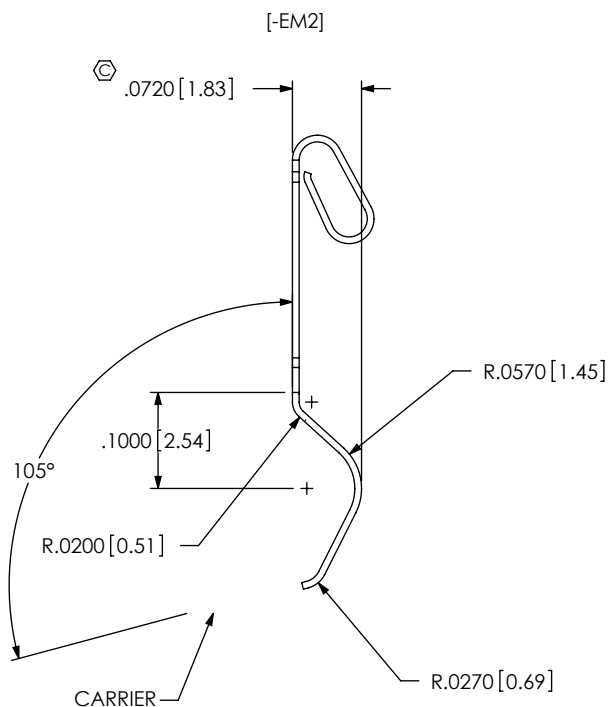
INSULATOR: LCP, COLOR: BLACK  
 CONTACT: PHOS BRONZE

**DESCRIPTION:** 1mm MINI-EDGE, EDGE MOUNT ASSEMBLY

DWG. NO. **MEC1-1XX-XX-XX-D-EMX-XX**

BY: KEVIN B 5/19/2000 SHEET 1 OF 3

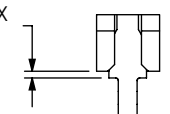
520 PARK EAST BLVD, NEW ALBANY, IN 47150  
 PHONE: 812-944-6733 FAX: 812-948-5047  
 e-Mail: info@SAMTEC.com code: 55322



**PACKAGING VIEW**  
[PARTS TO HAVE POSITION #1 LOADED IN SAME DIRECTION FOR ALL PARTS]

TABLE 6		PARTS PER TRAY
POSITIONS	USE TRAY	
-05	TRAY-MEC1001-PR-05-AP-T-B	66
-08	TRAY-MEC1002-PR-08-AP-T-B	66
-20	TRAY-MEC1003-PR-20-AP-T-B	55
-30	TRAY-MEC1004-PR-30-AP-T-B	11
-40	TRAY-MEC1005-PR-40-AP-T-B	33
-50	TRAY-MEC1006-PR-50-AP-T-B	33
-60	TRAY-MEC1007-PR-60-AP-T-B	22
-70	TRAY-MEC1008-PR-70-AP-T-B	22

⊕ .0050 [0.13] MAX (SEE NOTE 8)



DETAIL 'B'  
SCALE 7 : 1

**PROPRIETARY NOTE**  
THIS DOCUMENT CONTAINS INFORMATION CONFIDENTIAL AND PROPRIETARY TO SAMTEC, INC. AND SHALL NOT BE REPRODUCED OR TRANSFERRED TO OTHER DOCUMENTS OR DISCLOSED TO OTHERS OR USED FOR ANY PURPOSE OTHER THAN THAT WHICH IT WAS OBTAINED WITHOUT THE EXPRESSED WRITTEN CONSENT OF SAMTEC, INC.

DO NOT SCALE DRAWING

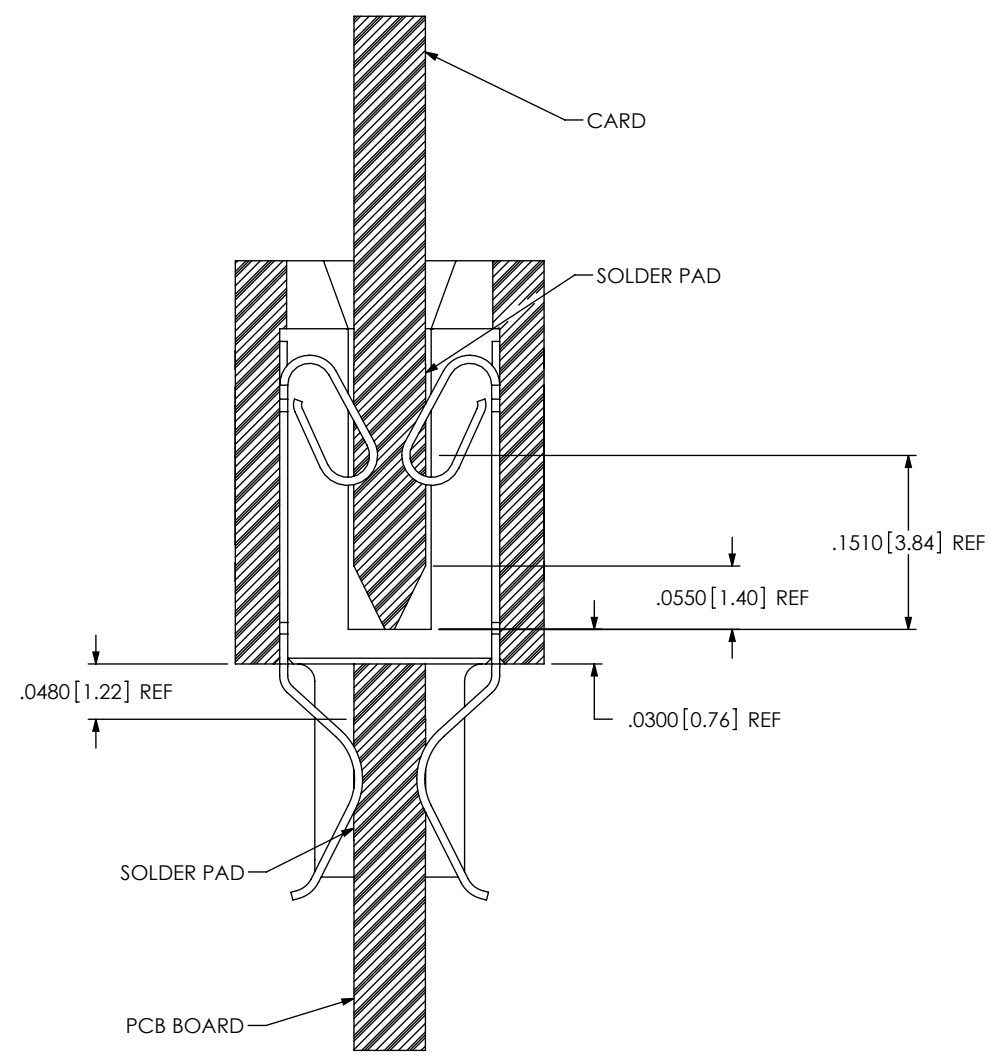
SHEET SCALE: 1.75:1

520 PARK EAST BLVD, NEW ALBANY, IN 47150  
PHONE: 812-944-6733 FAX: 812-948-5047  
e-Mail: info@SAMTEC.com code: 55322


DESCRIPTION:  
1mm MINI-EDGE, EDGE MOUNT ASSEMBLY

DWG. NO.  
**MEC1-1XX-XX-XX-D-EMX-XX**

BY: KEVIN B 5/19/2000 SHEET 2 OF 3



APPLICATION VIEW

<p><b>PROPRIETARY NOTE</b>          THIS DOCUMENT CONTAINS INFORMATION CONFIDENTIAL AND PROPRIETARY TO SAMTEC, INC. AND SHALL NOT BE REPRODUCED OR TRANSFERRED TO OTHER DOCUMENTS OR DISCLOSED TO OTHERS OR USED FOR ANY PURPOSE OTHER THAN THAT WHICH IT WAS OBTAINED WITHOUT THE EXPRESSED WRITTEN CONSENT OF SAMTEC, INC.</p> <p>DO NOT SCALE DRAWING</p> <p>SHEET SCALE: 1:75:1</p>		
	<p>520 PARK EAST BLVD, NEW ALBANY, IN 47150          PHONE: 812-944-6733 FAX: 812-948-5047          e-Mail: info@SAMTEC.com code: 55322</p>	
	<p>DESCRIPTION:  <b>1mm MINI-EDGE, EDGE MOUNT ASSEMBLY</b></p>	
	<p>DWG. NO.  <b>MEC1-1XX-XX-XX-D-EMX-XX</b></p>	
<p>BY: KEVIN B 5/19/2000</p>		<p>SHEET 3 OF 3</p>