



Chipsmall Limited consists of a professional team with an average of over 10 year of expertise in the distribution of electronic components. Based in Hongkong, we have already established firm and mutual-benefit business relationships with customers from,Europe,America and south Asia,supplying obsolete and hard-to-find components to meet their specific needs.

With the principle of “Quality Parts,Customers Priority,Honest Operation,and Considerate Service”,our business mainly focus on the distribution of electronic components. Line cards we deal with include Microchip,ALPS,ROHM,Xilinx,Pulse,ON,Everlight and Freescale. Main products comprise IC,Modules,Potentiometer,IC Socket,Relay,Connector.Our parts cover such applications as commercial,industrial, and automotives areas.

We are looking forward to setting up business relationship with you and hope to provide you with the best service and solution. Let us make a better world for our industry!



Contact us

Tel: +86-755-8981 8866 Fax: +86-755-8427 6832

Email & Skype: info@chipsmall.com Web: www.chipsmall.com

Address: A1208, Overseas Decoration Building, #122 Zhenhua RD., Futian, Shenzhen, China



DO NOT SCALE FROM THIS PRINT

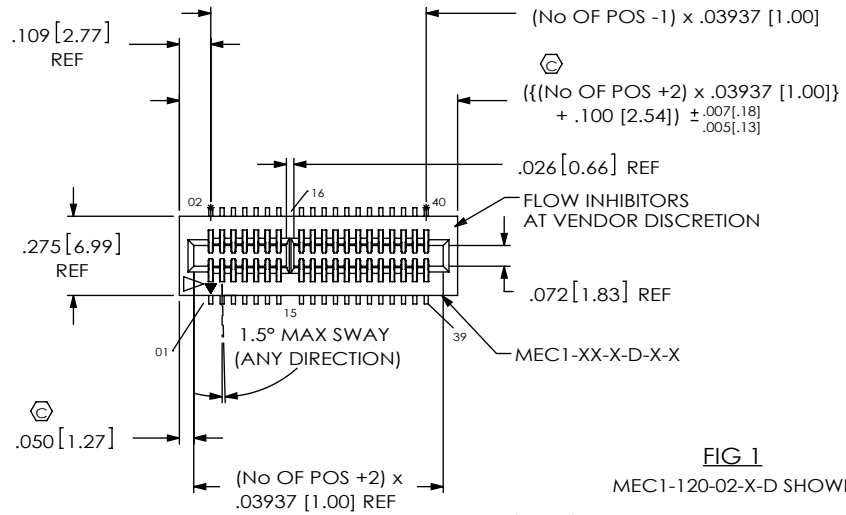
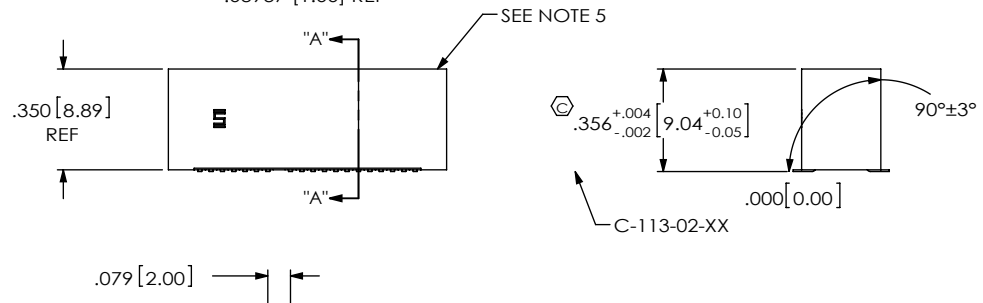


FIG 1
MEC1-120-02-X-D SHOWN



SECTION "A"- "A"

MEC1-1XX-XX-XX-D-XX-XX

No OF POSITIONS
05, 08, 10, 20, 30, 40, 50, 60 & 70 (PER ROW, SEE TABLE 2)

CARD THICKNESS
-02: .062 [1.58] THICK CARD (USE MEC1-XX-S-D-X-X)

PLATING SPECIFICATION
-F: 3μ" FLASH GOLD IN CONTACT AREA, MATTE TIN ON TAIL
-L: 10μ" LIGHT GOLD IN CONTACT AREA, MATTE TIN ON TAIL
-S: 30μ" SELECTIVE GOLD IN CONTACT AREA, MATTE TIN ON TAIL
-FM: 3μ" FLASH GOLD IN CONTACT AREA, MATTE ON TIN TAIL
-LM: 10μ" LIGHT IN CONTACT AREA, MATTE TIN ON TAIL
-SM: 30μ" SELECTIVE GOLD IN CONTACT AREA, MATTE TIN ON TAIL

OTHER OPTIONS
-LC: LOCKING CLIP (SEE NOTE 8) (SEE FIG 2) (USE LC-05-TM)
-A: ALIGNMENT PIN (MOLDED, SEE FIG 4, SHT 2) (USE MEC1-XX-X-D-X-A)
-K: POLYIMIDE FILM PAD (SEE FIG 6, SHT 2) (USE K-DOT-.310-.406-.005)
-TR: TAPE & REEL PACKAGING (N/A IN 70 POSITION) (SEE FIG 5, SHT 2)

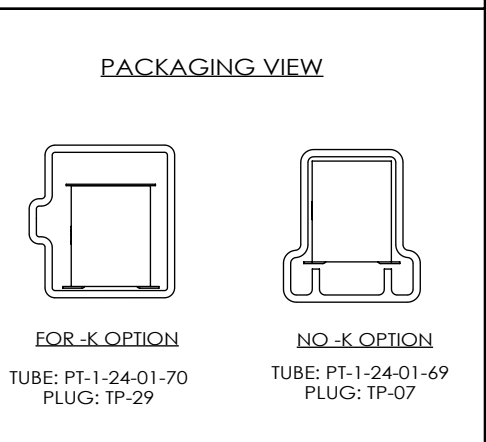
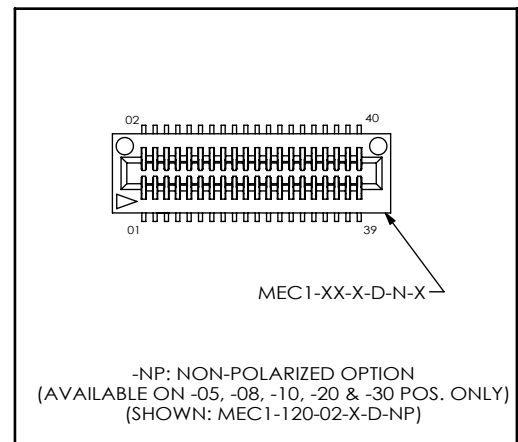
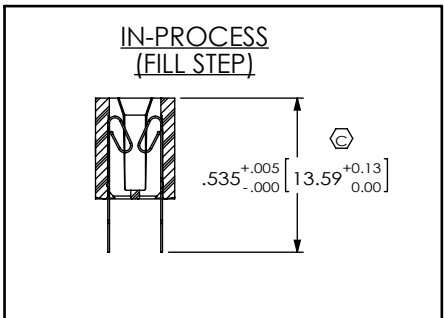
POLARIZED OPTION (SEE TABLE 2)
-BLANK: BODY IS POLARIZED
-NP: NO POLARIZATION (-05 THRU -30 ONLY) (USE MEC1-XX-X-D-N-X)

ROW SPECIFICATION
-D: DOUBLE ROW (USE MEC1-XX-X-D-X-X)

TABLE 2	
No Of POS	POSITIONS POLARIZED
-05	3, 4
-08	5, 6
-10	13 & 14
-20	15, 16
-30	21, 22
-40	31, 32
-50	41, 42
-60	31, 32, 63 & 64
-70	53, 54, 115 & 116

NOTES:

- MINIMUM PUSHOUT FORCE: 10 oz.
- COPLANARITY: POS -05 THRU -26: .004 [.10]
POS -27 THRU -70: .006 [.15]
- ⊙ REPRESENTS A CRITICAL DIMENSION.
- PACKAGE ALL POSITIONS IN TUBES.
(WITH -K OPTION, USE PT-1-24-01-70 TUBE & TP-29 TUBE PLUG)
(WITHOUT -K OPTION, USE PT-1-24-01-69 TUBE & TP-07 TUBE PLUG)
- MAXIMUM CUT FLASH: .010; FLASH NOT TO EXTEND BELOW LEADS.
- MAXIMUM ALLOWABLE BOW: .002 INCH/INCH AFTER ASSEMBLY.
- MAXIMUM BURR: .003 [.08], BURR DIRECTION TO BE OPPOSITE OF SOLDER PAD AREA
- DUE TO THE HIGH AMOUNT OF INSERTION FORCE NEEDED, THE -LC OPTION IS NOT COMPATIBLE WITH AUTO PLACEMENT. SAMTEC RECOMMENDS MANUAL PLACEMENT FOR ALL ASSEMBLIES WITH THE -LC OPTION.



UNLESS OTHERWISE SPECIFIED, DIMENSIONS ARE IN INCHES.

TOLERANCES ARE:

DECIMALS	ANGLES
.XX: ±.01 [.3]	2°
.XXX: ±.005 [.13]	
.XXXX: ±.0015 [.038]	

MATERIAL: DO NOT SCALE DRAWING SHEET SCALE: 1.5:1

INSULATOR: VECTRA E130i COLOR: BLACK

CONTACT: BeCu 190 HM

F:\DWG\MISC\MKTG\MEC1-1XX-XX-XX-D-XX-XX-MKT.SLDRW

PROPRIETARY NOTE
THIS DOCUMENT CONTAINS CONFIDENTIAL AND PROPRIETARY INFORMATION AND ALL DESIGN, MANUFACTURING, REPRODUCTION, USE, PATENT RIGHTS AND SALES RIGHTS ARE EXPRESSLY RESERVED BY SAMTEC, INC. THIS DOCUMENT SHALL NOT BE DISCLOSED, IN WHOLE OR PART, TO ANY UNAUTHORIZED PERSON OR ENTITY NOR REPRODUCED, TRANSFERRED OR INCORPORATED IN ANY OTHER PROJECT IN ANY MANNER WITHOUT THE EXPRESS WRITTEN CONSENT OF SAMTEC, INC.

samtec

520 PARK EAST BLVD, NEW ALBANY, IN 47150
PHONE: 812-944-6733 FAX: 812-948-5047
e-Mail: info@SAMTEC.com code: 55322

DESCRIPTION:
1mm MINI-EDGE CARD ASSEMBLY

DWG. NO.
MEC1-1XX-XX-XX-D-XX-XX

BY: KEVIN B 5/11/2000 SHEET 1 OF 2

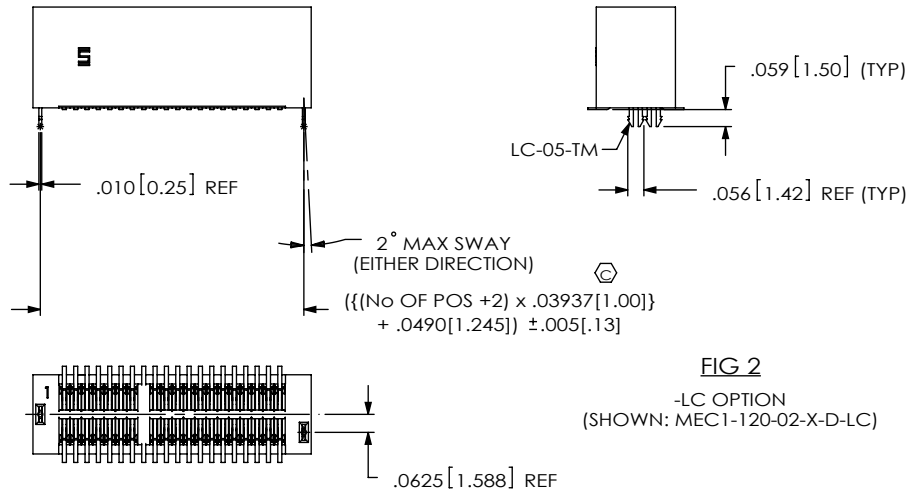


FIG 2
-LC OPTION
(SHOWN: MEC1-120-02-X-D-LC)

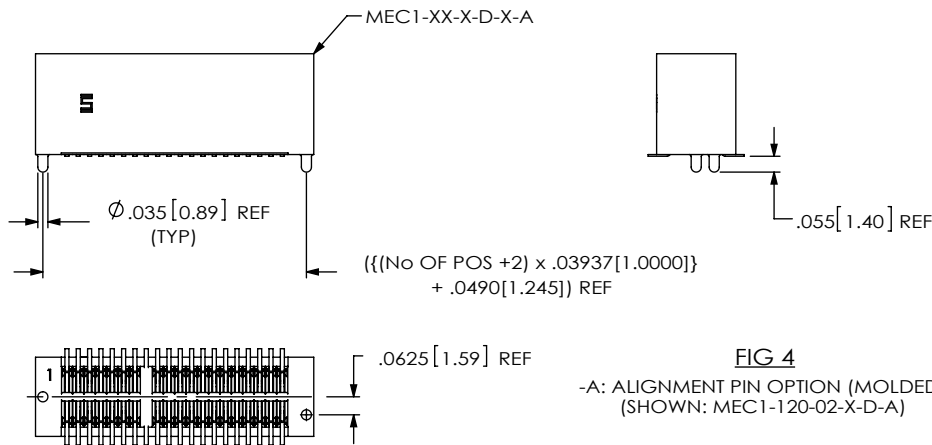


FIG 4
-A: ALIGNMENT PIN OPTION (MOLDED)
(SHOWN: MEC1-120-02-X-D-A)

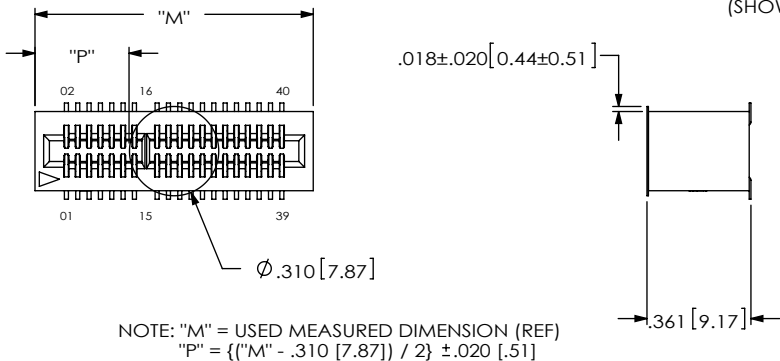
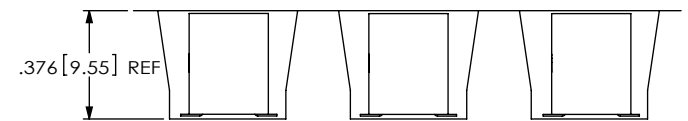
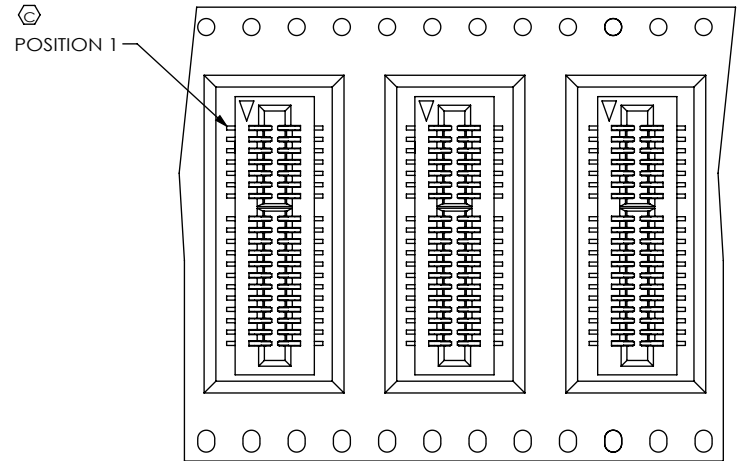


FIG 6
-K: POLYIMIDE FILM PAD OPTION
(SHOWN: MEC1-120-02-X-D-K)

NOTE: "M" = USED MEASURED DIMENSION (REF)
"P" = $\{("M" - .310 [7.87]) / 2\} \pm .020 [51]$

FIG 5
-TR: TAPE & REEL PACKAGING VIEW
(NOT DRAWN TO SCALE)



USER DIRECTION OF UNREELING →

F:\DWG\MISC\MKTG\MEC1-1XX-XX-XX-D-XX-XX-MKT.SLDDRW

PROPRIETARY NOTE
THIS DOCUMENT CONTAINS CONFIDENTIAL AND PROPRIETARY INFORMATION AND ALL DESIGN, MANUFACTURING, REPRODUCTION, USE, PATENT RIGHTS AND SALES RIGHTS ARE EXPRESSLY RESERVED BY SAMTEC, INC. THIS DOCUMENT SHALL NOT BE DISCLOSED, IN WHOLE OR PART, TO ANY UNAUTHORIZED PERSON OR ENTITY NOR REPRODUCED, TRANSFERRED OR INCORPORATED IN ANY OTHER PROJECT IN ANY MANNER WITHOUT THE EXPRESS WRITTEN CONSENT OF SAMTEC, INC.

DO NOT SCALE DRAWING

SHEET SCALE: 1.5:1

samtec

520 PARK EAST BLVD, NEW ALBANY, IN 47150
PHONE: 812-944-6733 FAX: 812-948-5047
e-Mail: info@SAMTEC.com code: 55322

DESCRIPTION:
1mm MINI-EDGE CARD ASSEMBLY

DWG. NO.
MEC1-1XX-XX-XX-D-XX-XX

BY: KEVIN B 5/11/2000 SHEET 2 OF 2