



Chipsmall Limited consists of a professional team with an average of over 10 year of expertise in the distribution of electronic components. Based in Hongkong, we have already established firm and mutual-benefit business relationships with customers from,Europe,America and south Asia,supplying obsolete and hard-to-find components to meet their specific needs.

With the principle of “Quality Parts,Customers Priority,Honest Operation,and Considerate Service”,our business mainly focus on the distribution of electronic components. Line cards we deal with include Microchip,ALPS,ROHM,Xilinx,Pulse,ON,Everlight and Freescale. Main products comprise IC,Modules,Potentiometer,IC Socket,Relay,Connector.Our parts cover such applications as commercial,industrial, and automotives areas.

We are looking forward to setting up business relationship with you and hope to provide you with the best service and solution. Let us make a better world for our industry!



Contact us

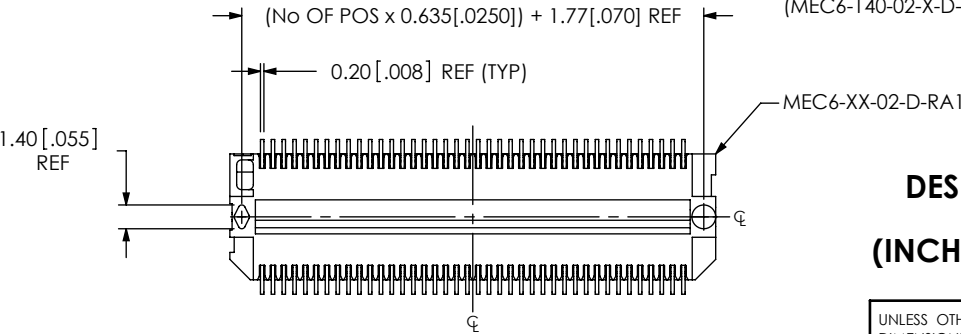
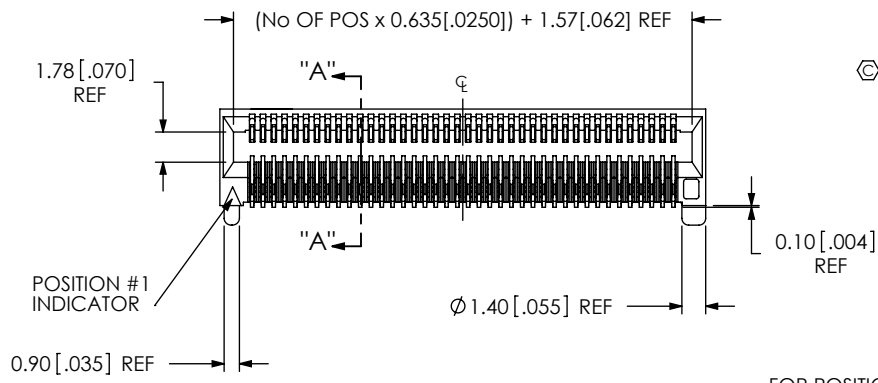
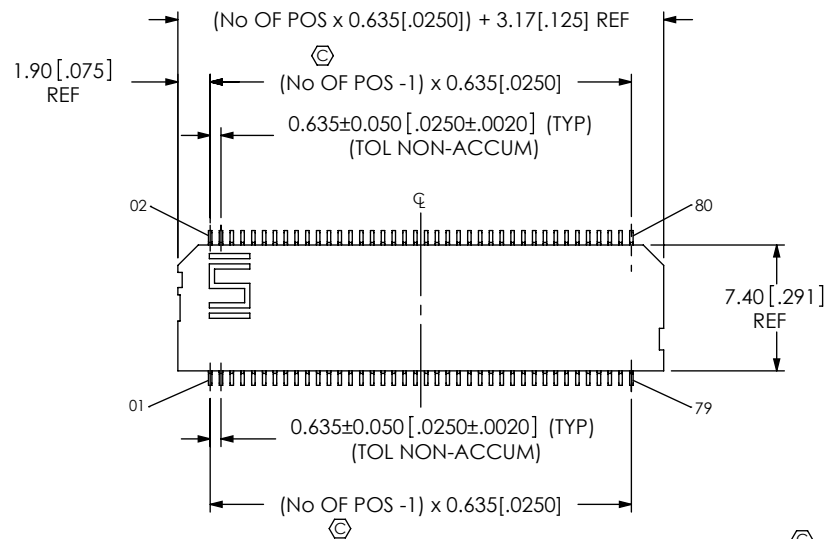
Tel: +86-755-8981 8866 Fax: +86-755-8427 6832

Email & Skype: info@chipsmall.com Web: www.chipsmall.com

Address: A1208, Overseas Decoration Building, #122 Zhenhua RD., Futian, Shenzhen, China



DO NOT SCALE FROM THIS PRINT



MEC6-1XX-02-X-D-RAX-XX

No OF POSITIONS (PER ROW)
 -10, -18, -20, -30, -40 (SEE FIG 1)
 -50 (SEE FIG 2, SHEET 2)

CARD THICKNESS
 -02: 1.57mm [.062] THICK CARD

PLATING
 -L: SELECTIVE LIGHT GOLD, MATTE TIN TAIL (USE C-173-01-L & C-174-03-L)
 -S: SELECTIVE GOLD, MATTE TIN TAIL (USE C-173-01-S & C-174-03-S)

OPTION
 -TR: TAPE & REEL (SEE FIG 3, SHT 2)

TAIL OPTION
 -RA1: STANDARD

ROW SPECIFICATION
 -D: DOUBLE (USE MEC6-XX-XX-D-RA1)

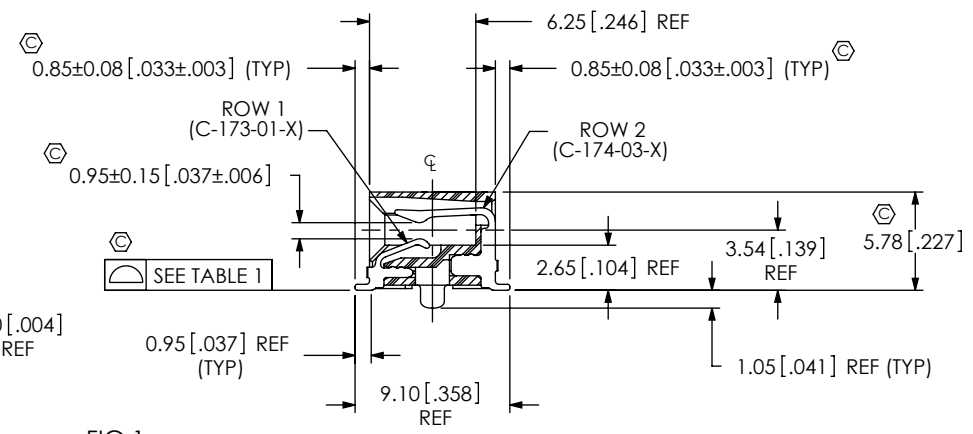
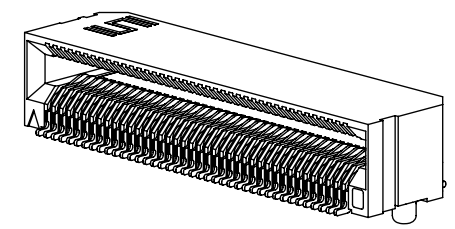


FIG 1
 FOR POSITIONS -10, -20, -30 & -40 (MEC6-140-02-X-D-RA1 SHOWN)

SECTION "A"- "A"



DESIGNED & DIMENSIONED IN MILLIMETERS (INCHES FOR REFERENCE ONLY)

- NOTES:
- ⊕ REPRESENTS A CRITICAL DIMENSION.
 - BURR ALLOWANCE: 0.038[.0015] MAX.
 - MINIMUM PUSHOUT FORCE: 2.22 N [.5 LB].
 - PARTS TO BE PACKAGED IN TRAYS, UNLESS -TR OPTION IS SPECIFIED.

TABLE 1	
No OF POS	COPLANARITY
-10 THRU -39	0.102[.0040]
-40 THRU -50	0.152[.0060]

UNLESS OTHERWISE SPECIFIED, DIMENSIONS ARE IN MILLIMETERS. TOLERANCES ARE:
 DECIMALS ANGLES
 .X: ±0.3 [.01] 2°
 .XX: ±0.13 [.005]
 .XXX: ±0.051 [.0020]

PROPRIETARY NOTE
 THIS DOCUMENT CONTAINS INFORMATION CONFIDENTIAL AND PROPRIETARY TO SAMTEC, INC. AND SHALL NOT BE REPRODUCED OR TRANSFERRED TO OTHER DOCUMENTS OR DISCLOSED TO OTHERS OR USED FOR ANY PURPOSE OTHER THAN THAT WHICH IT WAS OBTAINED WITHOUT THE EXPRESSED WRITTEN CONSENT OF SAMTEC, INC.



520 PARK EAST BLVD. NEW ALBANY, IN 47150
 PHONE: 812-944-6733 FAX: 812-948-5047
 e-Mail: info@SAMTEC.com code: 55322

MATERIAL: DO NOT SCALE DRAWING SHEET SCALE: 1:0.4444
 INSULATOR: LCP, COLOR: BLACK
 CONTACT: PHOS BRONZE

DESCRIPTION:
 .635mm [.025"] RIGHT ANGLE EDGE CARD ASSEMBLY
 DWG. NO.
MEC6-1XX-02-X-D-RAX-XX
 BY: DEAN P 05/12/2005 SHEET 1 OF 2

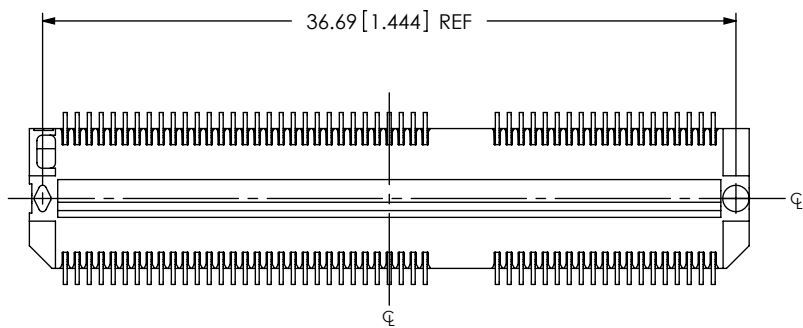
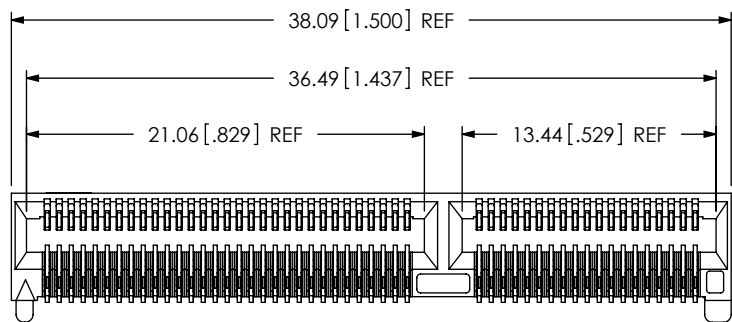
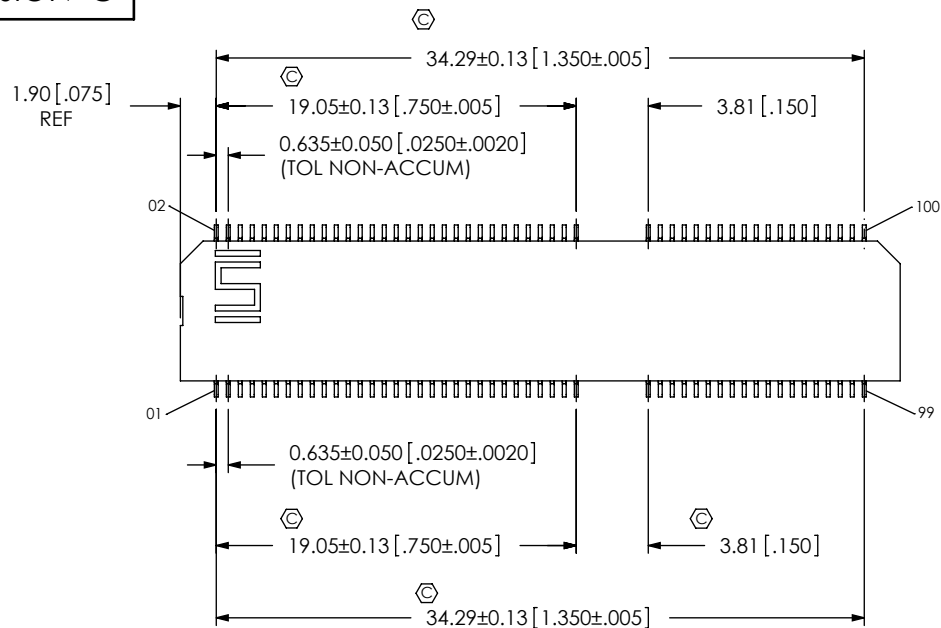


FIG 2

-50 POSITIONS
MEC6-150-02-X-D-RA1 SHOWN
(SAME AS FIG 1, UNLESS OTHERWISE STATED)

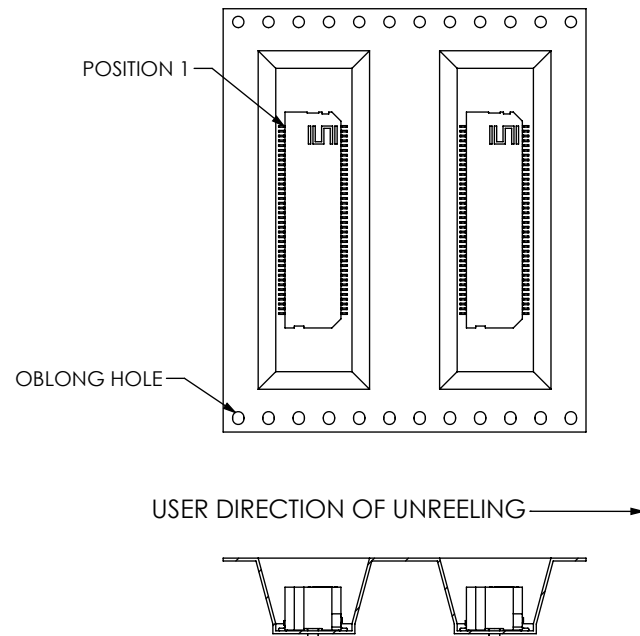
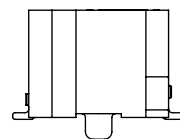


FIG 3

-TR: TAPE & REEL PACKAGING VIEW
(NOT DRAWN TO SCALE)



PROPRIETARY NOTE

THIS DOCUMENT CONTAINS INFORMATION CONFIDENTIAL AND PROPRIETARY TO SAMTEC, INC. AND SHALL NOT BE REPRODUCED OR TRANSFERRED TO OTHER DOCUMENTS OR DISCLOSED TO OTHERS OR USED FOR ANY PURPOSE OTHER THAN THAT WHICH IT WAS OBTAINED WITHOUT THE EXPRESSED WRITTEN CONSENT OF SAMTEC, INC.

DO NOT SCALE DRAWING

SHEET SCALE: 1:0.4

samtec

520 PARK EAST BLVD, NEW ALBANY, IN 47150
PHONE: 812-944-6733 FAX: 812-948-5047
e-Mail: info@SAMTEC.com code: 55322

DESCRIPTION:
.635mm [.025"] RIGHT ANGLE EDGE CARD ASSEMBLY

DWG. NO.
MEC6-1XX-02-X-D-RAX-XX

BY: DEAN P 05/12/2005 SHEET 2 OF 2