



Chipsmall Limited consists of a professional team with an average of over 10 year of expertise in the distribution of electronic components. Based in Hongkong, we have already established firm and mutual-benefit business relationships with customers from,Europe,America and south Asia,supplying obsolete and hard-to-find components to meet their specific needs.

With the principle of "Quality Parts,Customers Priority,Honest Operation,and Considerate Service",our business mainly focus on the distribution of electronic components. Line cards we deal with include Microchip,ALPS,ROHM,Xilinx,Pulse,ON,Everlight and Freescale. Main products comprise IC,Modules,Potentiometer,IC Socket,Relay,Connector.Our parts cover such applications as commercial,industrial, and automotives areas.

We are looking forward to setting up business relationship with you and hope to provide you with the best service and solution. Let us make a better world for our industry!



## Contact us

Tel: +86-755-8981 8866 Fax: +86-755-8427 6832

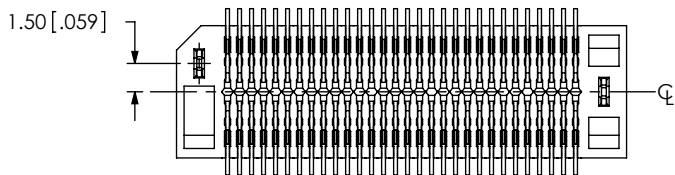
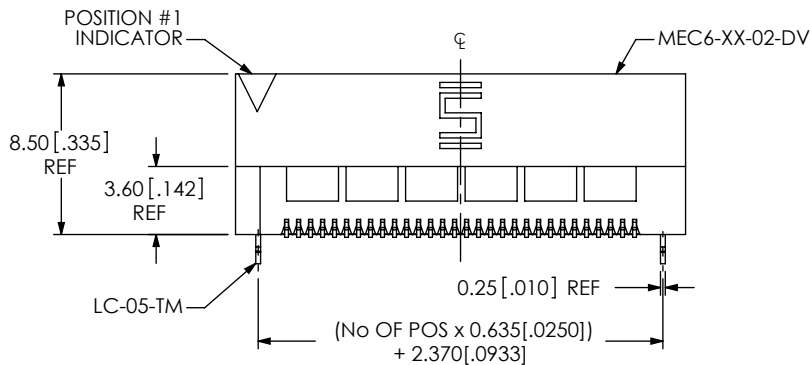
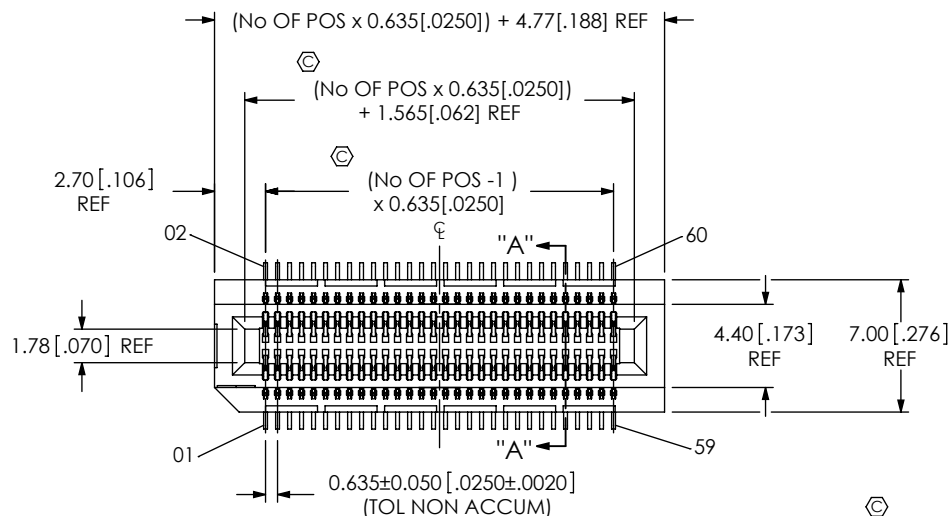
Email & Skype: info@chipsmall.com Web: www.chipsmall.com

Address: A1208, Overseas Decoration Building, #122 Zhenhua RD., Futian, Shenzhen, China



**DESIGNED & DIMENSIONED  
IN MILLIMETERS  
(INCHES FOR REFERENCE ONLY)**

DO NOT  
SCALE FROM  
THIS PRINT



**MEC6-1XX-XX-X-DV-XX**

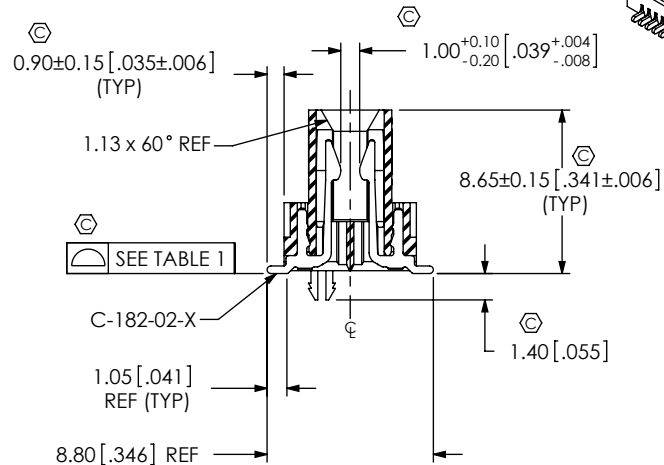
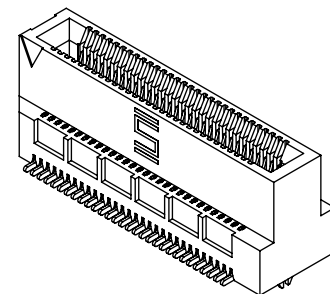
**No OF POSITIONS**  
-10, -20, -30, -40, -50, -60, -70

**CARD THICKNESS**  
-02: 1.57mm [.062] THICK CARD

**PLATING SPECIFICATION**  
-L: LIGHT SELECTIVE GOLD/MATTE TIN (USE C-182-02-L)  
-S: SELECTIVE GOLD/MATTE TIN (USE C-182-02-S)

**OPTION**  
-A: ALIGNMENT PINS (SEE FIG. 3) (USE MEC6-XX-XX-DV-A)  
-LC: LOCKING CLIP (USE LC-05-TM)  
-K: POLYIMIDE FILM PAD (USE K-DOT-.217-.313-.005)(SEE FIG. 4)  
-TR: TAPE & REEL

**ROW SPECIFICATION**  
-DV: DUAL VERTICAL (USE MEC6-XX-XX-DV)



SECTION "A"- "A"

TABLE 1	
No OF POS	COPLANARITY
-10 THRU -50	0.102 [.0040]
-60 & -70	0.152 [.0060]

**FIG 1**  
-LC OPTION SHOWN  
MEC6-130-02-X-DV-LC SHOWN  
(FOR POSITIONS -10, -20, -30 & -40)

NOTES:

1. Ⓢ REPRESENTS A CRITICAL DIMENSION.
2. MAXIMUM BURR ALLOWANCE: 0.038[.0015].
3. MINIMUM PUSHOUT FORCE: 2.22 N [.5 LB].
4. PARTS TO BE PACKAGED IN TRAYS, UNLESS -TR OPTION IS SPECIFIED.

UNLESS OTHERWISE SPECIFIED, DIMENSIONS ARE IN MILLIMETERS. TOLERANCES ARE:  
DECIMALS ANGLES  
.X: ± 0.3 [.01] 2°  
.XX: ± 0.13 [.005]  
.XXX: ± 0.051 [.0020]

**PROPRIETARY NOTE**  
THIS DOCUMENT CONTAINS INFORMATION CONFIDENTIAL AND PROPRIETARY TO SAMTEC, INC. AND SHALL NOT BE REPRODUCED OR TRANSFERRED TO OTHER DOCUMENTS OR DISCLOSED TO OTHERS OR USED FOR ANY PURPOSE OTHER THAN THAT WHICH IT WAS OBTAINED WITHOUT THE EXPRESSED WRITTEN CONSENT OF SAMTEC, INC.



520 PARK EAST BLVD, NEW ALBANY, IN 47150  
PHONE: 812-944-6733 FAX: 812-948-5047  
e-Mail: info@SAMTEC.com code: 55322

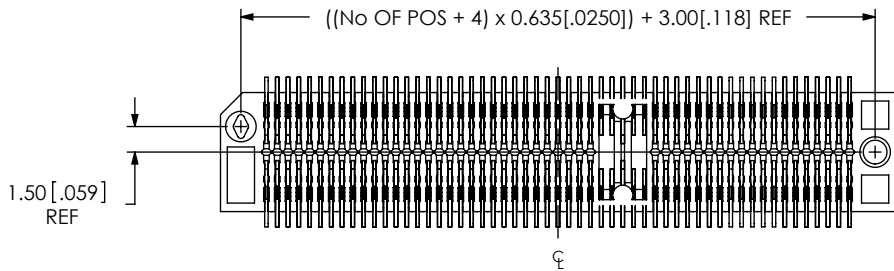
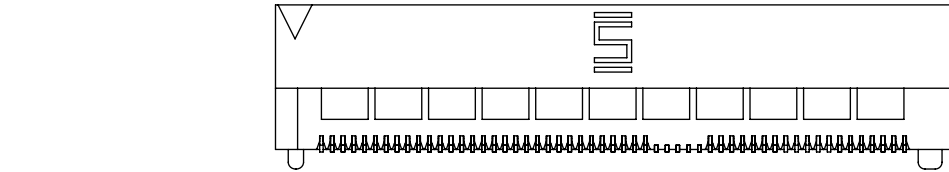
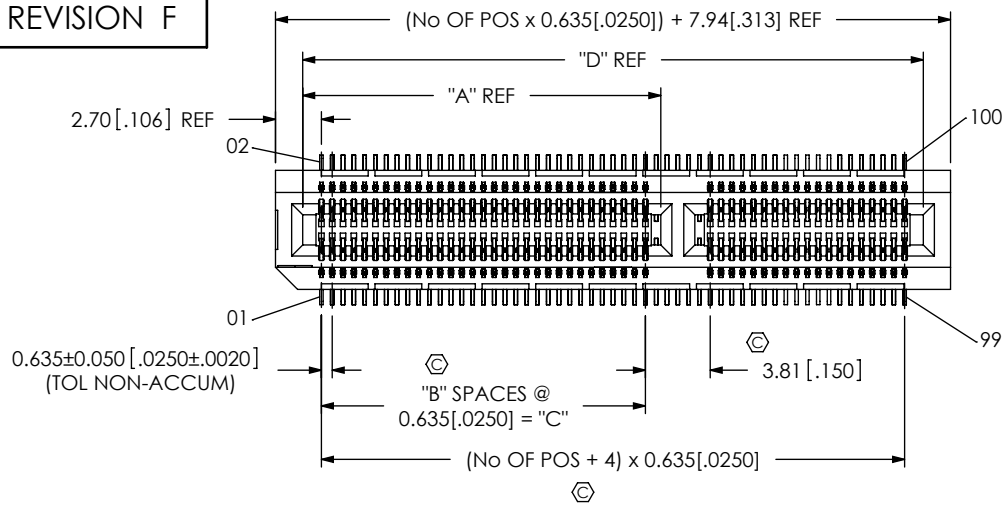
**MATERIAL:** DO NOT SCALE DRAWING  
INSULATOR: LCP, COLOR: BLACK  
CONTACT: PHOS BRONZE

SHEET SCALE: 1:0.4

DESCRIPTION:  
.635mm VERTICAL MOUNT MINI-EDGE CARD ASSEMBLY

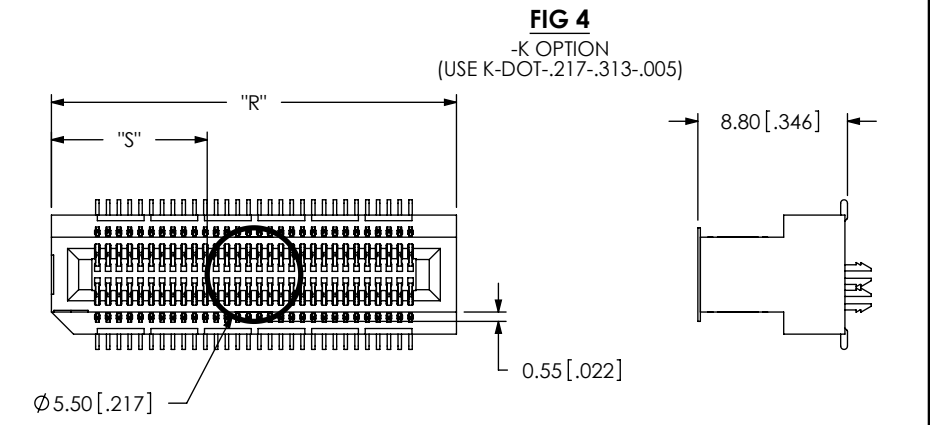
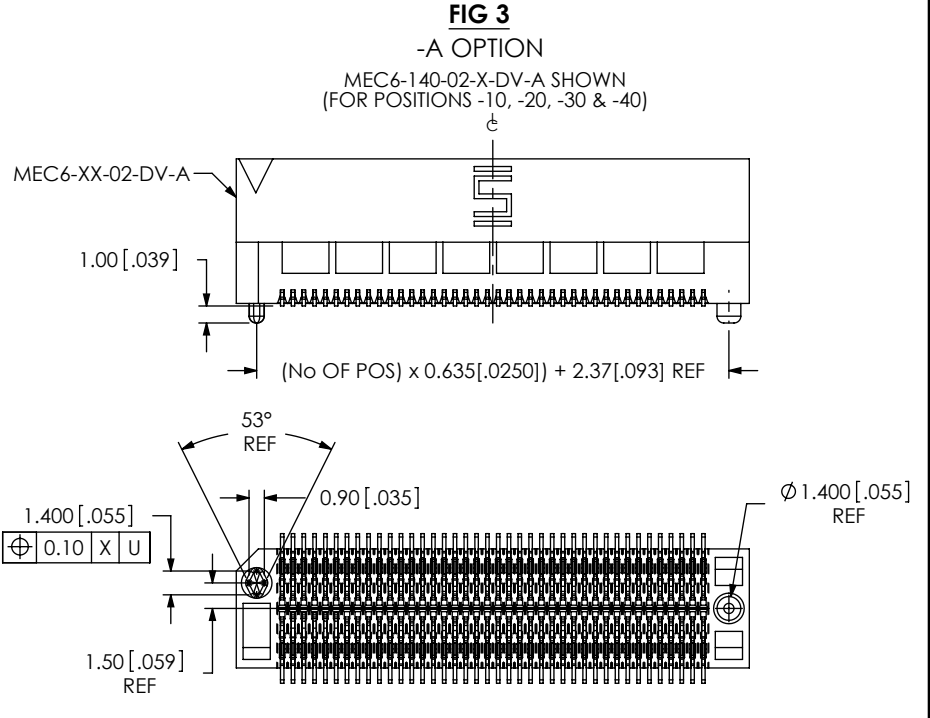
DWG. NO.  
**MEC6-1XX-XX-X-DV-XX**

BY: DEAN P 05/17/2005 SHEET 1 OF 2



**FIG 2**  
MEC6-150-02-X-DV-A SHOWN  
FOR POSITIONS -50 THRU 70  
(SAME AS FIG 1, UNLESS OTHERWISE STATED)

No OF POS	"A" REF	"B"	"C"	"D" REF
-50	21.055[.8289]	30	19.050[.7500]	36.490[1.4366]
-60	24.865[.9789]	36	22.860[.9000]	42.840[1.6866]
-70	28.675[1.1289]	42	26.670[1.0500]	49.190[1.9366]



No OF POS	"R"	"S"
-10 THRU -40	(No OF POS x 0.635[.0250]) + 4.77[.188] REF	(( "R" - 5.50[.217] ) / 2) +/- 0.51[.020]
-50 THRU -70	(No OF POS x 0.635[.0250]) + 7.94[.313] REF	

**PROPRIETARY NOTE**  
THIS DOCUMENT CONTAINS INFORMATION CONFIDENTIAL AND PROPRIETARY TO SAMTEC, INC. AND SHALL NOT BE REPRODUCED OR TRANSFERRED TO OTHER DOCUMENTS OR DISCLOSED TO OTHERS OR USED FOR ANY PURPOSE OTHER THAN THAT WHICH IT WAS OBTAINED WITHOUT THE EXPRESSED WRITTEN CONSENT OF SAMTEC, INC.

DO NOT SCALE DRAWING

SHEET SCALE: 1:0.444444

**samtec**

520 PARK EAST BLVD, NEW ALBANY, IN 47150  
PHONE: 812-944-6733 FAX: 812-948-5047  
e-Mail: info@SAMTEC.com code: 55322

DESCRIPTION:  
.635mm VERTICAL MOUNT MINI-EDGE CARD ASSEMBLY

DWG. NO.  
**MEC6-1XX-XX-X-DV-XX**

BY: DEAN P 05/17/2005 SHEET 2 OF 2