



Chipsmall Limited consists of a professional team with an average of over 10 year of expertise in the distribution of electronic components. Based in Hongkong, we have already established firm and mutual-benefit business relationships with customers from,Europe,America and south Asia,supplying obsolete and hard-to-find components to meet their specific needs.

With the principle of “Quality Parts,Customers Priority,Honest Operation,and Considerate Service”,our business mainly focus on the distribution of electronic components. Line cards we deal with include Microchip,ALPS,ROHM,Xilinx,Pulse,ON,Everlight and Freescale. Main products comprise IC,Modules,Potentiometer,IC Socket,Relay,Connector.Our parts cover such applications as commercial,industrial, and automotives areas.

We are looking forward to setting up business relationship with you and hope to provide you with the best service and solution. Let us make a better world for our industry!



## Contact us

Tel: +86-755-8981 8866 Fax: +86-755-8427 6832

Email & Skype: info@chipsmall.com Web: www.chipsmall.com

Address: A1208, Overseas Decoration Building, #122 Zhenhua RD., Futian, Shenzhen, China





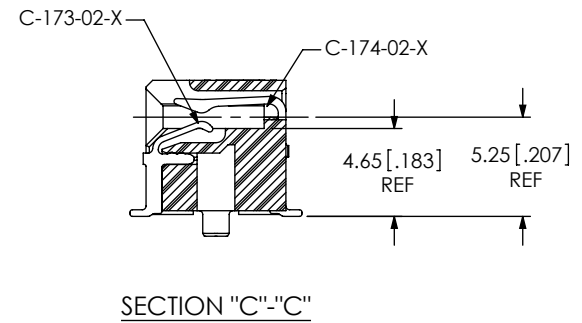
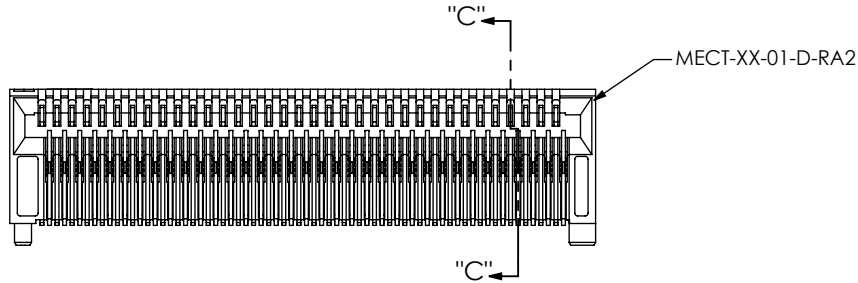
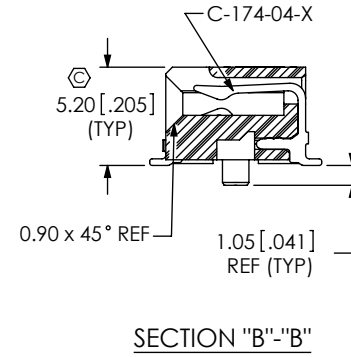
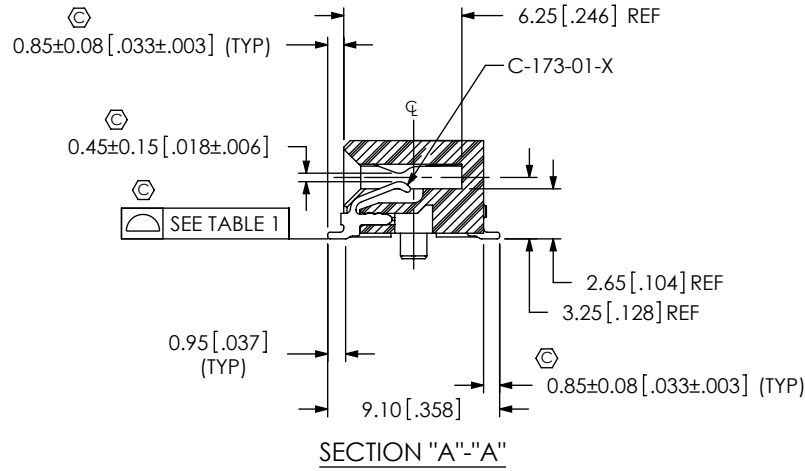


FIG 2  
-RA2: ELEVATED OPTION  
(SAME AS FIG 2, UNLESS OTHERWISE STATED)  
(MECT-135-01-XX-D-RA2 SHOWN)  
\* = NOT TOOLED

F:\DWG\MISC\MKTG\MECT-1XX-XX-XX-D-RAX-XX-MKT.SLDDRW

**PROPRIETARY NOTE**  
THIS DOCUMENT CONTAINS INFORMATION CONFIDENTIAL AND PROPRIETARY TO SAMTEC, INC. AND SHALL NOT BE REPRODUCED OR TRANSFERRED TO OTHER DOCUMENTS OR DISCLOSED TO OTHERS OR USED FOR ANY PURPOSE OTHER THAN THAT WHICH IT WAS OBTAINED WITHOUT THE EXPRESSED WRITTEN CONSENT OF SAMTEC, INC.

DO NOT SCALE DRAWING

SHEET SCALE: 1:0.4

**samtec**

520 PARK EAST BLVD, NEW ALBANY, IN 47150  
PHONE: 812-944-6733 FAX: 812-948-5047  
e-Mail: info@SAMTEC.com code: 55322

DESCRIPTION:  
0.8mm [.031"] RIGHT ANGLE EDGE CARD ASSEMBLY

DWG. NO.  
**MECT-1XX-XX-XX-D-RAX-XX**

BY: KEVIN B 10/18/01 SHEET 2 OF 3

**PACKAGING VIEWS**  
(LOAD PARTS WITH POSITION #1 INDICATOR  
IN SAME DIRECTION AS ARROW ON TUBE)

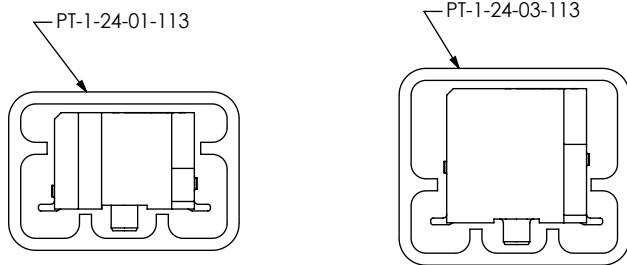


TABLE 3		
TAIL OPTION	TUBE	PLUG (2 PER TUBE)
-RA1	PT-1-24-01-113	TP-03
* -RA2	PT-1-24-03-113	TP-03

\* = NOT TOOLED

**-TR OPTION**

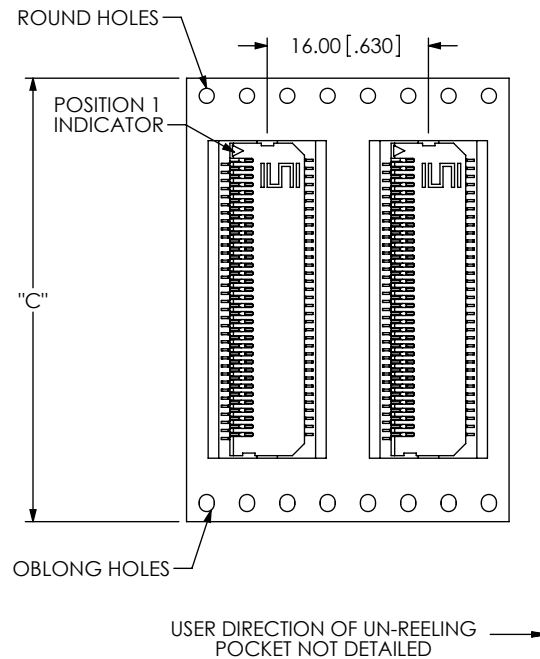


TABLE 4	
POSITION	"C"
-10	24.00 [.944]
-15	32.00 [1.260]
-20	32.00 [1.260]
-35	44.00 [1.732]

**PROPRIETARY NOTE**  
THIS DOCUMENT CONTAINS INFORMATION  
CONFIDENTIAL AND PROPRIETARY TO  
SAMTEC, INC. AND SHALL NOT BE REPRODUCED  
OR TRANSFERRED TO OTHER DOCUMENTS OR  
DISCLOSED TO OTHERS OR USED FOR ANY  
PURPOSE OTHER THAN THAT WHICH IT WAS  
OBTAINED WITHOUT THE EXPRESSED WRITTEN  
CONSENT OF SAMTEC, INC.

DO NOT SCALE DRAWING

SHEET SCALE: 1:0.4

520 PARK EAST BLVD, NEW ALBANY, IN 47150  
PHONE: 812-944-6733 FAX: 812-948-5047  
e-Mail: info@SAMTEC.com code: 55322

DESCRIPTION:  
0.8mm [.031"] RIGHT ANGLE EDGE CARD ASSEMBLY

DWG. NO.  
**MECT-1XX-XX-XX-D-RAX-XX**

BY: KEVIN B 10/18/01 SHEET 3 OF 3