



Chipsmall Limited consists of a professional team with an average of over 10 year of expertise in the distribution of electronic components. Based in Hongkong, we have already established firm and mutual-benefit business relationships with customers from,Europe,America and south Asia,supplying obsolete and hard-to-find components to meet their specific needs.

With the principle of “Quality Parts,Customers Priority,Honest Operation,and Considerate Service”,our business mainly focus on the distribution of electronic components. Line cards we deal with include Microchip,ALPS,ROHM,Xilinx,Pulse,ON,Everlight and Freescale. Main products comprise IC,Modules,Potentiometer,IC Socket,Relay,Connector.Our parts cover such applications as commercial,industrial, and automotives areas.

We are looking forward to setting up business relationship with you and hope to provide you with the best service and solution. Let us make a better world for our industry!



Contact us

Tel: +86-755-8981 8866 Fax: +86-755-8427 6832

Email & Skype: info@chipsmall.com Web: www.chipsmall.com

Address: A1208, Overseas Decoration Building, #122 Zhenhua RD., Futian, Shenzhen, China



3-terminal Filters(SMD) For Signal Line

Conformity to RoHS Directive

MEM Series MEM2012T Type

FEATURES

- Multilayer chip EMC filter utilizing a T-type circuit.
- Entirely monolithic structure results in high reliability.
- Due to closed magnetic circuit architecture, high-density installation becomes possible, and crosstalk generation is prevented.
- Steep attenuation characteristic plot. Highly effective noise suppression.
- Covers a wide range of frequencies.
- MEM2012T is a coil type EMC filter.

APPLICATIONS

Computer and computer peripherals, VCRs, TVs, car audio equipment, printers, game machines, etc.

TEMPERATURE RANGES

| | |
|-------------------|--------------|
| Operating/Storage | -40 to +85°C |
|-------------------|--------------|

PRODUCT IDENTIFICATION

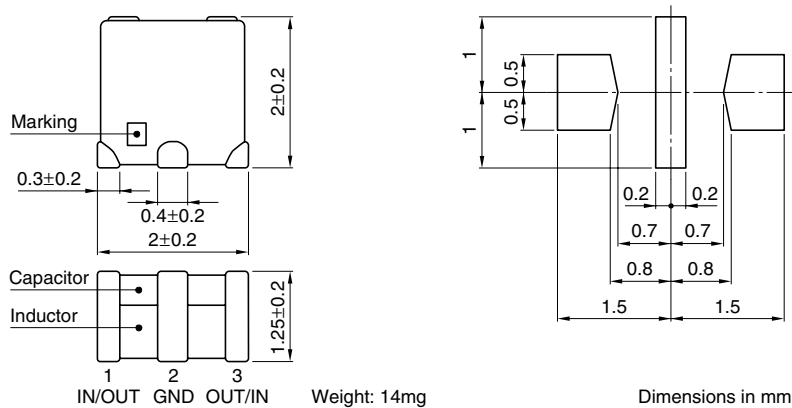
| | | | | |
|-----|------|-----|------|-----|
| MEM | 2012 | T | 10R0 | T |
| (1) | (2) | (3) | (4) | (5) |

- (1)Series name
 (2)Dimensions L×W
 (3)T-type circuit
 (4)Cutoff frequency 10R0:10MHz
 (5)Packaging style T:Taping

PACKAGING STYLE AND QUANTITIES

| Packaging style | Quantity |
|-----------------|------------------|
| Taping | 1000 pieces/reel |

SHAPES AND DIMENSIONS/RECOMMENDED PC BOARD PATTERN



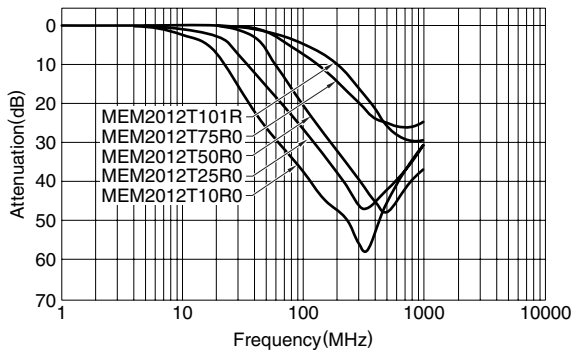
ELECTRICAL CHARACTERISTICS

| Part No. | Cutoff frequency (MHz) | Insertion loss (dB)min. | Rated voltage Edc(V)max. | Rated current (mA)max. |
|--------------|------------------------|-------------------------|--------------------------|------------------------|
| MEM2012T10R0 | 10 | 20[40 to 900MHz] | 10 | 100 |
| MEM2012T25R0 | 25 | 20[80MHz to 1GHz] | 10 | 150 |
| MEM2012T50R0 | 50 | 20[150MHz to 1.2GHz] | 10 | 150 |
| MEM2012T75R0 | 75 | 20[300MHz to 1.7GHz] | 10 | 250 |
| MEM2012T101R | 100 | 20[400MHz to 1.7GHz] | 10 | 250 |

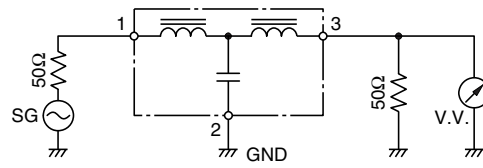
- Conformity to RoHS Directive: This means that, in conformity with EU Directive 2002/95/EC, lead, cadmium, mercury, hexavalent chromium, and specific bromine-based flame retardants, PBB and PBDE, have not been used, except for exempted applications.
- Please contact our Sales office when your application are considered the following:
The device's failure or malfunction may directly endanger human life (e.g. application for automobile/aircraft/medical/nuclear power devices, etc.)

• All specifications are subject to change without notice.

TYPICAL ELECTRICAL CHARACTERISTICS ATTENUATION vs. FREQUENCY CHARACTERISTICS



MEASURING CIRCUIT



RECOMMENDED SOLDERING CONDITION REFLOW SOLDERING

