



Chipsmall Limited consists of a professional team with an average of over 10 year of expertise in the distribution of electronic components. Based in Hongkong, we have already established firm and mutual-benefit business relationships with customers from,Europe,America and south Asia,supplying obsolete and hard-to-find components to meet their specific needs.

With the principle of “Quality Parts,Customers Priority,Honest Operation,and Considerate Service”,our business mainly focus on the distribution of electronic components. Line cards we deal with include Microchip,ALPS,ROHM,Xilinx,Pulse,ON,Everlight and Freescale. Main products comprise IC,Modules,Potentiometer,IC Socket,Relay,Connector.Our parts cover such applications as commercial,industrial, and automotives areas.

We are looking forward to setting up business relationship with you and hope to provide you with the best service and solution. Let us make a better world for our industry!



## Contact us

Tel: +86-755-8981 8866 Fax: +86-755-8427 6832

Email & Skype: info@chipsmall.com Web: www.chipsmall.com

Address: A1208, Overseas Decoration Building, #122 Zhenhua RD., Futian, Shenzhen, China



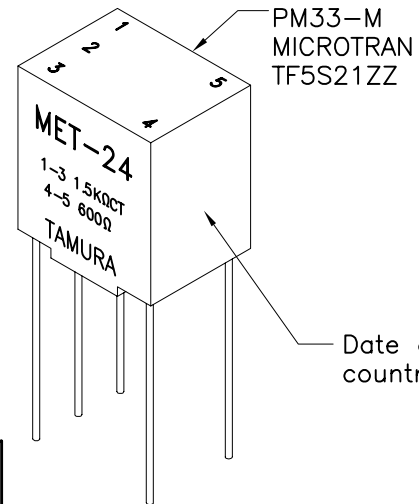
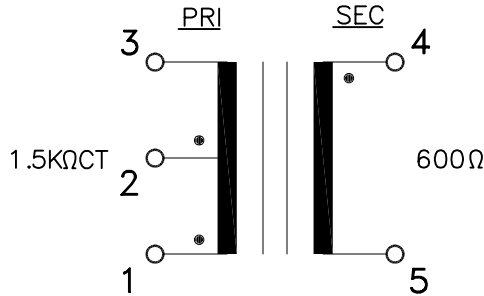
A. Electrical Specifications (@ 20 ° C)

1. Pri Source Impedance; 1.5K Ω
2. Sec Load Impedance; 600 Ω
3. Pri DC Current; 3 mA MAX
4. Operating Level; 50 mW MAX @ 300 Hz
5. Insertion Loss;  
2.0 dB MAX @ 1 KHz, 0 dBm
6. Frequency Response (relative to 1 KHz);  
±2.0 dB, @ 300 Hz to 100 KHz, 0 dBm
7. Pri Impedance; 1.5K Ω +20%, -10% @ 1 KHz, 0 dBm, DC3mA
8. Longitudinal Balance; 60 dB MIN @ 1 KHz
9. Total Harmonic Distortion; 10% MAX @ 300 Hz, 50mW
10. DC Resistance;  
(1-2) 160Ω ±20%  
(3-4) 95 Ω -20%, +30%
12. Turns Ratio; (1-2) : (3-4) = 1.58 : 1.00 t±2%
13. Dielectric Strength;  
500 Vrms (10 mA peak MAX) 1 minute @ Pri - Sec



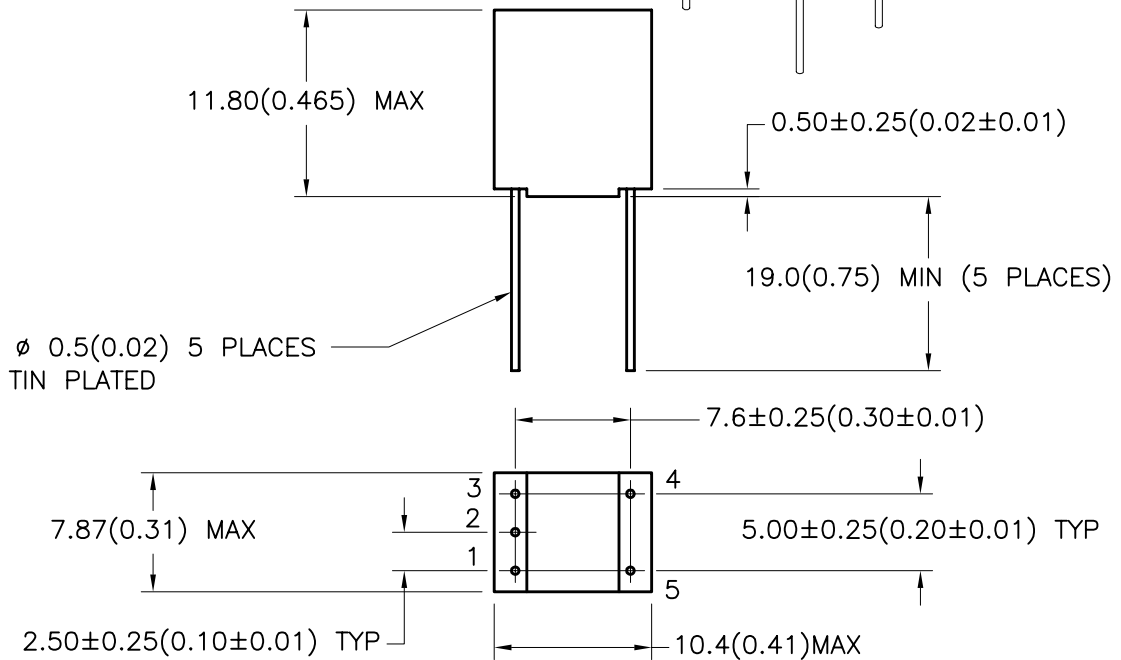
B. Marking; MET-24, TAMURA, Primary and Secondary Impedance, pin numbers, PM33-M, MICROTRAN, TF5S21ZZ, 196-date code and country of origin

C. Schematic Diagram



Date code and country of origin

D. Mechanical Specifications



TOLERANCES (mm)

≤ 4 ± 0.2
4 ≤ 20 ± 0.3
20 ≤ 50 ± 0.4

PREPARED BY:

K. BRENNAN

ENGINEER:

M. PITCHAI

QUALITY CONTROL:

T. CLEM

APPROVED:

Y. SEKIGUCHI

DWG CONTROL NO. P-A1-10344 ACAD\MET\A1103441.DWG	REV F
--	----------

AUDIO COUPLING MINIATURE ENCAPSULATED TRANSFORMER
--

**TAMURA CORPORATION OF AMERICA**  
43352 BUSINESS PARK DRIVE, TEMECULA, CA. 92590-6624  
(951) 699-1270 FAX 9516769482

<b>MET-24</b>		
MODEL SPECIFICATION		
DIM: mm(In)	SCL: 2/1	SH: 1 OF 1

PROPRIETARY NOTICE: THIS DRAWING PRINT OR DOCUMENT AND SUBJECT MATTER DISCLOSED HEREIN ARE PROPRIETARY ITEMS TO WHICH TAMURA RETAINS THE EXCLUSIVE RIGHT OF DISSEMINATION, REPRODUCTION, MANUFACTURE AND SALE. THIS DRAWING, PRINT OR DOCUMENT IS SUBMITTED IN CONFIDENCE FOR CONSIDERATION BY THE RECIPIENT ALONE UNLESS PERMISSION FOR FURTHER DISCLOSURE IS EXPRESSLY GRANTED IN WRITING.