



Chipsmall Limited consists of a professional team with an average of over 10 year of expertise in the distribution of electronic components. Based in Hongkong, we have already established firm and mutual-benefit business relationships with customers from,Europe,America and south Asia,supplying obsolete and hard-to-find components to meet their specific needs.

With the principle of “Quality Parts,Customers Priority,Honest Operation,and Considerate Service”,our business mainly focus on the distribution of electronic components. Line cards we deal with include Microchip,ALPS,ROHM,Xilinx,Pulse,ON,Everlight and Freescale. Main products comprise IC,Modules,Potentiometer,IC Socket,Relay,Connector.Our parts cover such applications as commercial,industrial, and automotives areas.

We are looking forward to setting up business relationship with you and hope to provide you with the best service and solution. Let us make a better world for our industry!



Contact us

Tel: +86-755-8981 8866 Fax: +86-755-8427 6832

Email & Skype: info@chipsmall.com Web: www.chipsmall.com

Address: A1208, Overseas Decoration Building, #122 Zhenhua RD., Futian, Shenzhen, China



REV. Status

REVISION - 12-17-01 YS
REVISION A CHANGED PIN MARKING 07/10/02 YS
REVISION B CHANGED PIN LENGTH 11/06/02 YS
REVISION C ADDED RoHS 12/08/05 MP
REVISION D ADDED GOLD PLATED 6-22-09 MP

AUDIO COUPLING MINIATURE ENCAPSULATED TRANSFORMER DESIGNED TO OPERATE 10mW MAX IN PRIMARY AND REFLECT A PRIMARY SOURCE IMPEDANCE OF APPROXIMATELY 10KΩ WITH 125Ω LOAD ON SECONDARY.

MODEL NUMBER

MET-50

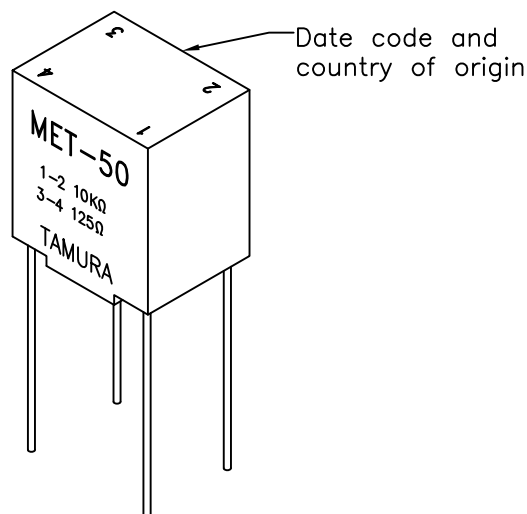
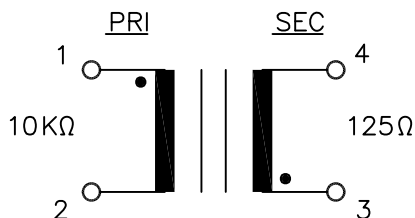


A. Electrical Specifications (@ 20°C)

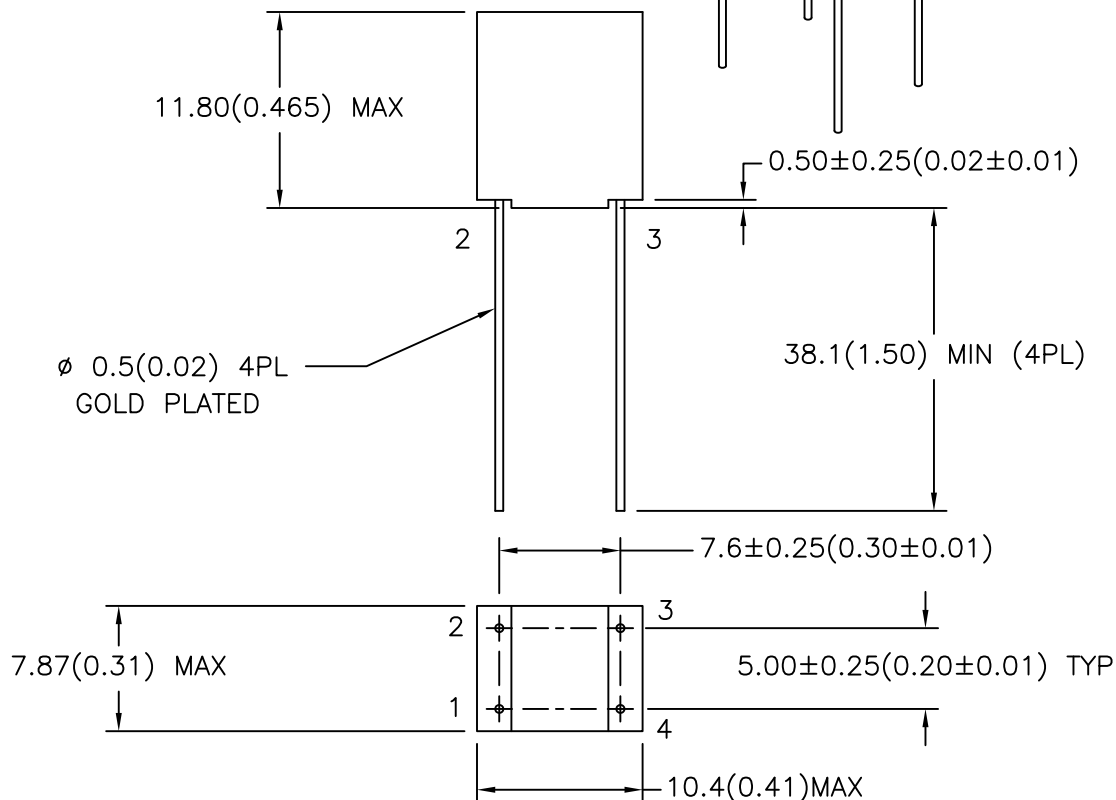
1. Pri Source Impedance; 10KΩ
2. Sec Load Impedance; 125Ω
3. Pri DC Current; 0mA MAX
4. Operating Level; 10mW MAX @ 300Hz
5. Frequency Response (relative to 1KHz); ±3.0dB, @ 300Hz to 20KHz
6. Distortion; 5% MAX @ 300Hz, 10dBm
7. DC Resistance;
 - (1-2) 1100Ω ±30%
 - (3-4) 28Ω ±30%
8. Turns Ratio; (1-2) : (3-4) = 8.62 : 1 ±3%
9. Dielectric Strength; 500Vrms 0.5 minute @ Pri - Sec

B. Marking; MET-50, TAMURA, Primary and Secondary Impedance, pin numbers, 196-date code and country of origin

C. Schematic Diagram



D. Mechanical Specifications



TOLERANCES (mm)
≤ 4 ± 0.2
4 ≤ 20 ± 0.3
20 ≤ 50 ± 0.4

PREPARED BY:
E. BRINER

ENGINEER: M. PITCHAI	P-A1-12968 ACAD\MET\A1129681.DWG	AUDIO COUPLING MINIATURE ENCAPSULATED TRANSFORMER	MODEL SPECIFICATION MET-50	REV D
SAFETY ENGINEER: B.O.	CONTENTS OF THIS DRAWING ARE SUBJECT TO CHANGE CONTROL	TAMURA CORPORATION OF AMERICA 43352 BUSINESS PARK DRIVE, TEMECULA, CA. 92590-6624 (951) 699-1270 FAX 9516769482	DIM: mm[In] SCL: 2X	SHT 1 OF 1

APPROVED:
T. BROOKS

PROPRIETARY NOTICE: THIS DRAWING PRINT OR DOCUMENT AND SUBJECT MATTER DISCLOSED HEREIN ARE PROPRIETARY ITEMS TO WHICH TAMURA RETAINS THE EXCLUSIVE RIGHT OF DISSEMINATION, REPRODUCTION, MANUFACTURE AND SALE. THIS DRAWING, PRINT OR DOCUMENT IS SUBMITTED IN CONFIDENCE FOR CONSIDERATION BY THE RECIPIENT ALONE UNLESS PERMISSION FOR FURTHER DISCLOSURE IS EXPRESSLY GRANTED IN WRITING.