



Chipsmall Limited consists of a professional team with an average of over 10 year of expertise in the distribution of electronic components. Based in Hongkong, we have already established firm and mutual-benefit business relationships with customers from,Europe,America and south Asia,supplying obsolete and hard-to-find components to meet their specific needs.

With the principle of "Quality Parts,Customers Priority,Honest Operation,and Considerate Service",our business mainly focus on the distribution of electronic components. Line cards we deal with include Microchip,ALPS,ROHM,Xilinx,Pulse,ON,Everlight and Freescale. Main products comprise IC,Modules,Potentiometer,IC Socket,Relay,Connector.Our parts cover such applications as commercial,industrial, and automotives areas.

We are looking forward to setting up business relationship with you and hope to provide you with the best service and solution. Let us make a better world for our industry!



Contact us

Tel: +86-755-8981 8866 Fax: +86-755-8427 6832

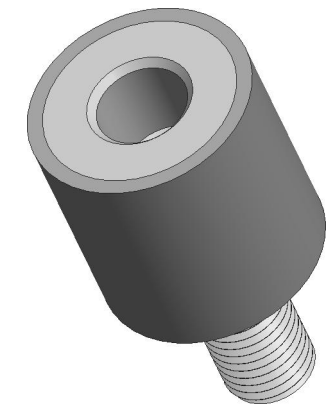
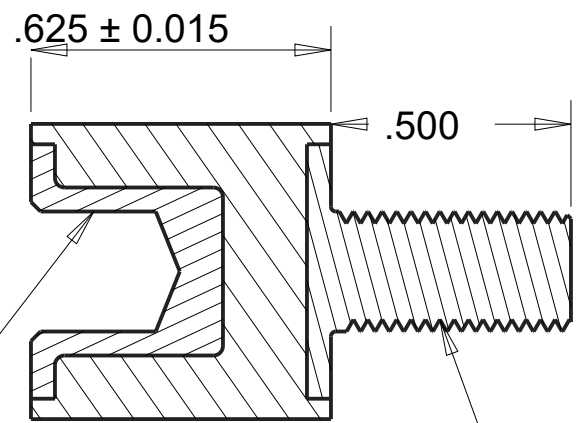
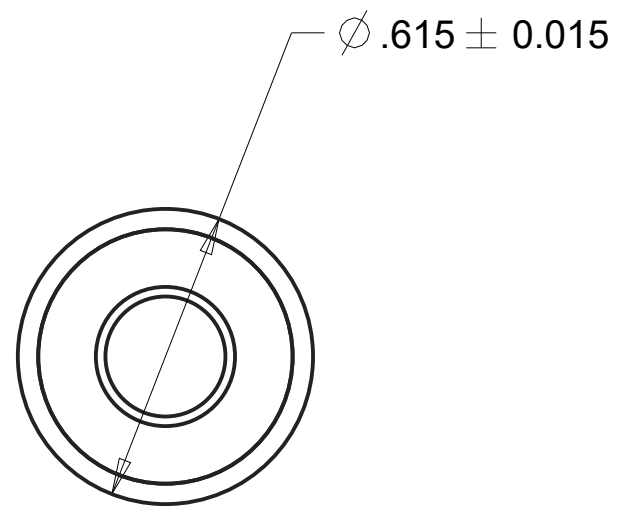
Email & Skype: info@chipsmall.com Web: www.chipsmall.com

Address: A1208, Overseas Decoration Building, #122 Zhenhua RD., Futian, Shenzhen, China





| REVISIONS | | | | |
|-----------|-----|----------------|---------|----------|
| DRAWN | REV | DESCRIPTION | DATE | APPROVED |
| CP | 01 | INITIAL DESIGN | 6/28/17 | MS |
| | | | | |
| | | | | |



SCALE 2.500

GROUP 3 FEMALE
INSERT 1/4" -
20 UNC-2B

SECTION A-A

GROUP 3 MALE INSERT 1/4"-20 UNC-2A

NOTES:

1. CONTACT AREAS MUST BE 100% BONDED.

INSERTS:

MALE INSERT P/N: 021-1409

FEMALE INSERT P/N: 021-1410

MATERIAL: S.A.E 1018 STEEL

FOR COATING DETAILS, SEE INSERT DRAWING.

| | | | |
|------------------|---|---|---|
| MATERIAL: | AEARO TECHNOLOGIES LLC * a 3M company | | |
| ISOLOSS SL-20300 | QUALITY CONTROL: MUST COMPLY WITH AEARO TECHONLGIES LLC SUPPLIER QUALITY MANUAL REQUIREMENTS | TITLE SANDWICH MOUNT, GROUP 3, MALE-FEMALE, ISOLOSS SL-20300 | |
| UNITS: IN | NOTES: ANY FEATURE NOT DIMENSIONED IN PRINT MUST BE VISIBLY PRESENT, UTILIZE 3D CAD FOR CREATION | SIZE B | ITEM CODE DWG NO. MF-300-UC25-SL20300 |