



Chipsmall Limited consists of a professional team with an average of over 10 year of expertise in the distribution of electronic components. Based in Hongkong, we have already established firm and mutual-benefit business relationships with customers from,Europe,America and south Asia,supplying obsolete and hard-to-find components to meet their specific needs.

With the principle of “Quality Parts,Customers Priority,Honest Operation,and Considerate Service”,our business mainly focus on the distribution of electronic components. Line cards we deal with include Microchip,ALPS,ROHM,Xilinx,Pulse,ON,Everlight and Freescale. Main products comprise IC,Modules,Potentiometer,IC Socket,Relay,Connector.Our parts cover such applications as commercial,industrial, and automotives areas.

We are looking forward to setting up business relationship with you and hope to provide you with the best service and solution. Let us make a better world for our industry!



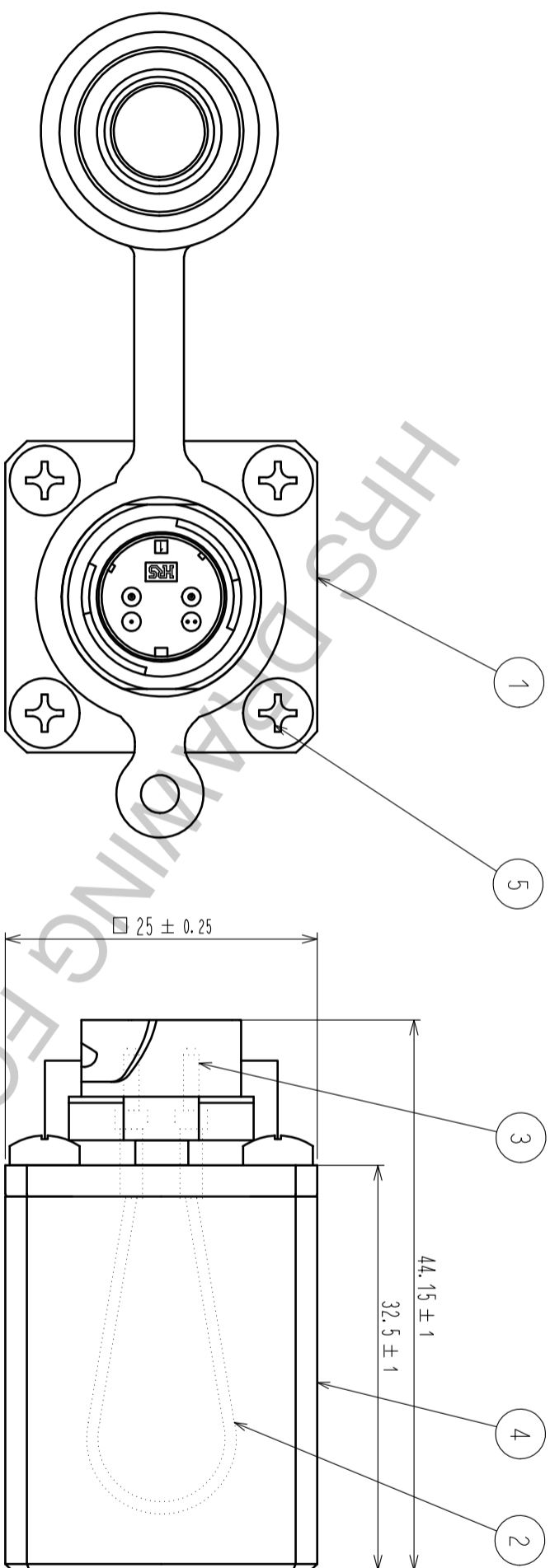
Contact us

Tel: +86-755-8981 8866 Fax: +86-755-8427 6832

Email & Skype: info@chipsmall.com Web: www.chipsmall.com

Address: A1208, Overseas Decoration Building, #122 Zhenhua RD., Futian, Shenzhen, China





note This product is not waterproof specification.

Part Number	Item name	Remarks
1	MF10B-WREH01-0200	Screw type, Chrome plating
2	Optical fiber	φ9 bare fiber, SM-9/125, R5
3	HMUA-F3-A1255(10)	MU ferrule, ADPC polishing
4	U cover	Aluminum alloy, Black alumite treatment
5	Pan head screw	M3x0.5, Nylock

部番	材質	処理・備考	訂正記事	部番	材質	処理・備考
UNITS	mm	SCALE	2 : 1	承認	MT. SHIBUTANI	18.03.29
				検図	MT. SHIBUTANI	18.03.29
				設計	SI. MATSUMOTO	18.03.29
				製図	SI. MATSUMOTO	18.03.29
HRS HIROSE ELECTRIC CO., LTD.		承認 : MT. SHIBUTANI 18.03.29		図番 : EDC-177334-31-00		
		検図 : MT. SHIBUTANI 18.03.29		製品名 : MF10B-U(31)		
		設計 : SI. MATSUMOTO 18.03.29		製品名 : CL709-1031-4-31		
		製図 : SI. MATSUMOTO 18.03.29		製品名 : CL709-1031-4-31		