



Chipsmall Limited consists of a professional team with an average of over 10 year of expertise in the distribution of electronic components. Based in Hongkong, we have already established firm and mutual-benefit business relationships with customers from,Europe,America and south Asia,supplying obsolete and hard-to-find components to meet their specific needs.

With the principle of "Quality Parts,Customers Priority,Honest Operation,and Considerate Service",our business mainly focus on the distribution of electronic components. Line cards we deal with include Microchip,ALPS,ROHM,Xilinx,Pulse,ON,Everlight and Freescale. Main products comprise IC,Modules,Potentiometer,IC Socket,Relay,Connector.Our parts cover such applications as commercial,industrial, and automotives areas.

We are looking forward to setting up business relationship with you and hope to provide you with the best service and solution. Let us make a better world for our industry!



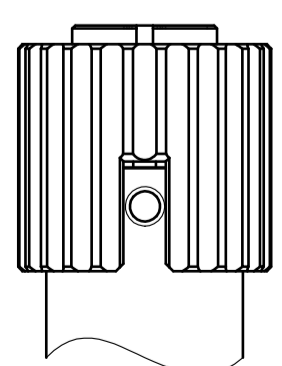
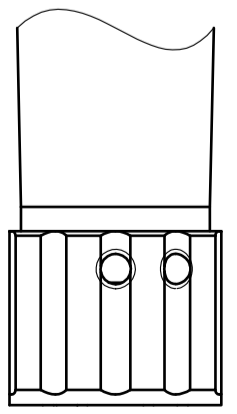
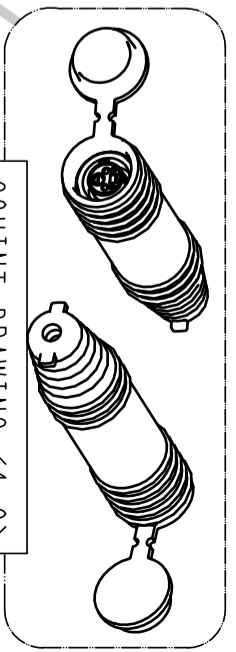
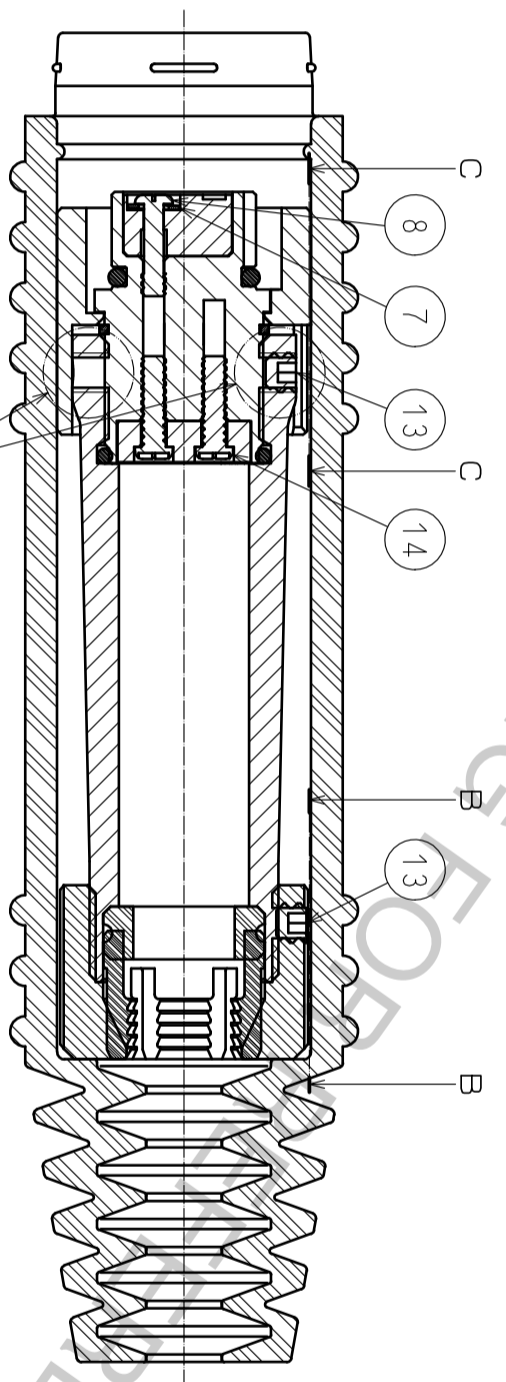
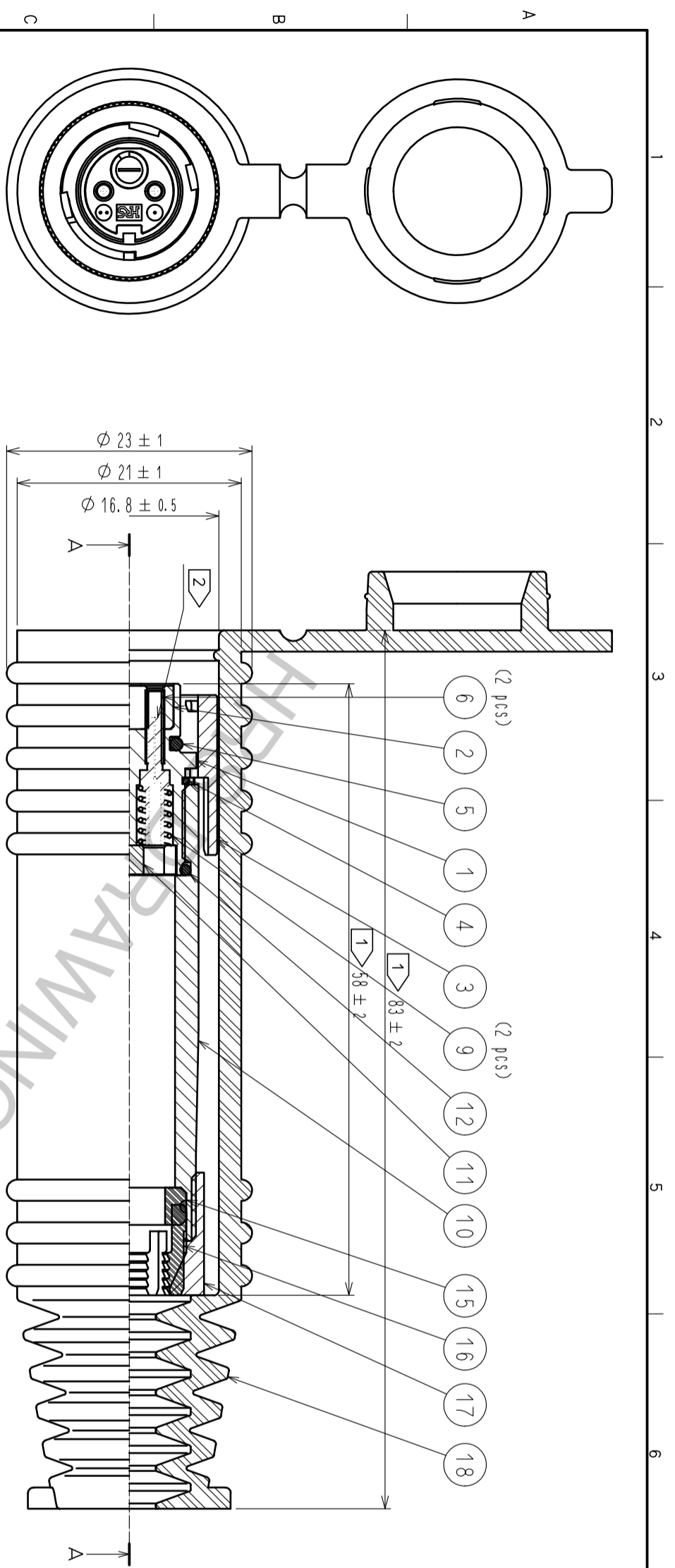
## Contact us

Tel: +86-755-8981 8866 Fax: +86-755-8427 6832

Email & Skype: info@chipsmall.com Web: www.chipsmall.com

Address: A1208, Overseas Decoration Building, #122 Zhenhua RD., Futian, Shenzhen, China





NOTE

- 1 These dimensions indicate the condition after cable assembly.
- 2 Ferrules are not included in this product. MU ferrules are separately available.
- 3 For connector mating, slide back rubber hood of part No. 18 until whole sleeve of part No. 3 is appeared. After mating, slide the rubber hood back until it touches to the receptacle.
- 4 Housing of part No. 10 has two holes for fixing with sleeve of part No. 1 by hexagon socket screw of part No. 13. Tighten the screw at either hole that is visible from a slit on the sleeve as shown in cross section C-C.
- 5 Tightening ring of part No. 17 has two holes for fixing hexagon socket screw of part No. 13. Tighten the screw at visible either hole, or either hole if both holes are visible.
- 6 For cleaning of the ferrule end, loosen the screw of part No. 8 and pick up the pre-assembled P shell B of part No. 2 by pulling the screw of part No. 8. Then, remove the split sleeves by using separately available sleeve-remover and clean the ferrules.

NO.	MATERIAL	FINISH	REMARKS	NO.	MATERIAL	FINISH	REMARKS
9	PLANO WIRE			18	SYNTHETIC RUBBER		
8	STAINLESS STEEL			17	ZINC DIE CASTING	NICKEL PLATING	
7	STAINLESS STEEL			16	SYNTHETIC RESIN		
6	ZIRCONIA			15	SYNTHETIC RUBBER		
5	SYNTHETIC RUBBER			14	STAINLESS STEEL		
4	STAINLESS STEEL			13	STAINLESS STEEL		
3	ZINC DIE CASTING			12	SYNTHETIC RUBBER		
2	ZINC DIE CASTING			11	ZINC DIE CASTING	NICKEL PLATING	
1	ZINC DIE CASTING			10	ZINC DIE CASTING	NICKEL PLATING	

UNITS	SCALE	COUNT	DESCRIPTION OF REVISIONS	DESIGNED	CHECKED	DATE
mm	2 : 1					

APPROVED	CHECKED	DESIGNED	DRAWING	NO.	PART NO.	CODE
MT. SHIBUTANI	MT. SHIBUTANI	SI. MATSUMOTO	EDC-176711-32-00	18.03.28	MF10B-WP6, 5C01-0200(32)	CL709-1004-1-32
CO., LTD.	CO., LTD.	SI. MATSUMOTO		18.03.28		