



Chipsmall Limited consists of a professional team with an average of over 10 year of expertise in the distribution of electronic components. Based in Hongkong, we have already established firm and mutual-benefit business relationships with customers from,Europe,America and south Asia,supplying obsolete and hard-to-find components to meet their specific needs.

With the principle of “Quality Parts,Customers Priority,Honest Operation,and Considerate Service”,our business mainly focus on the distribution of electronic components. Line cards we deal with include Microchip,ALPS,ROHM,Xilinx,Pulse,ON,Everlight and Freescale. Main products comprise IC,Modules,Potentiometer,IC Socket,Relay,Connector.Our parts cover such applications as commercial,industrial, and automotives areas.

We are looking forward to setting up business relationship with you and hope to provide you with the best service and solution. Let us make a better world for our industry!



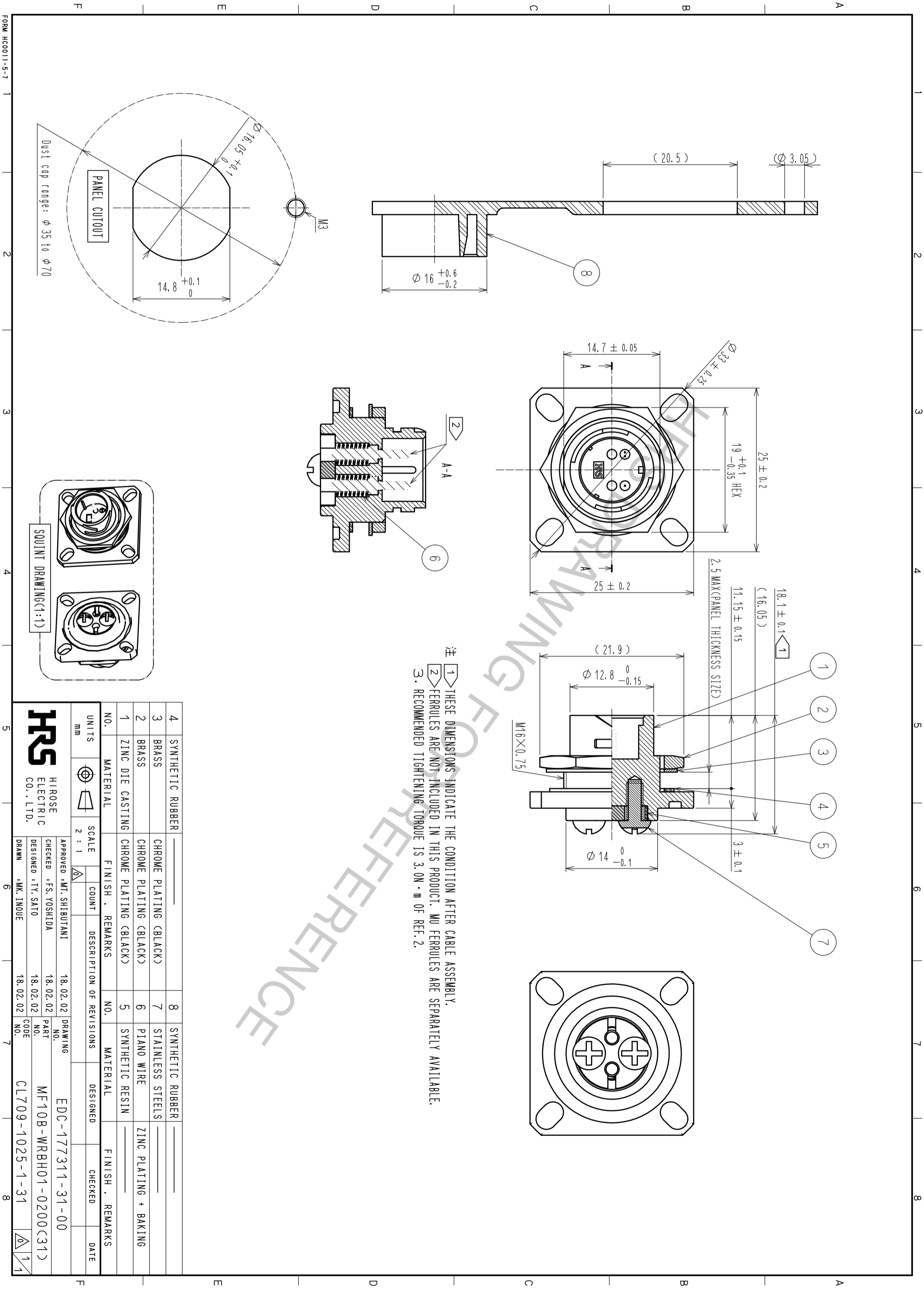
Contact us

Tel: +86-755-8981 8866 Fax: +86-755-8427 6832

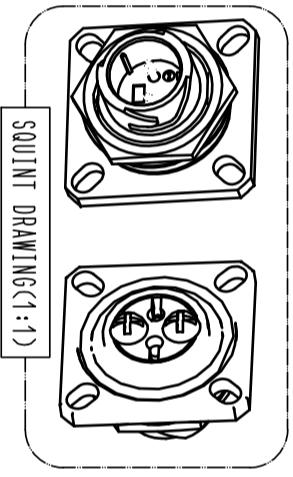
Email & Skype: info@chipsmall.com Web: www.chipsmall.com

Address: A1208, Overseas Decoration Building, #122 Zhenhua RD., Futian, Shenzhen, China





注
 1 THESE DIMENSIONS INDICATE THE CONDITION AFTER CABLE ASSEMBLY.
 2 FERRULES ARE NOT INCLUDED IN THIS PRODUCT. MU FERRULES ARE SEPARATELY AVAILABLE.
 3. RECOMMENDED TIGHTENING TORQUE IS 3.0N · m OF REF. 2.



4	SYNTHETIC RUBBER		8	SYNTHETIC RUBBER	
3	BRASS	CHROME PLATING (BLACK)	7	STAINLESS STEELS	
2	BRASS	CHROME PLATING (BLACK)	6	PLANO WIRE	ZINC PLATING + BAKING
1	ZINC DIE CASTING	CHROME PLATING (BLACK)	5	SYNTHETIC RESIN	
NO.	MATERIAL	FINISH . REMARKS	NO.	MATERIAL	FINISH . REMARKS
UNITS	SCALE	COUNT	DESCRIPTION OF REVISIONS	DESIGNED	CHECKED
mm	2 : 1				DATE

HRS HIROSE ELECTRIC CO., LTD.

Approved : MT. SHIBUTANI 18.02.02 DRAWING NO. EDC-177311-31-00
 Checked : FS. YOSHIDA 18.02.02 PART NO. MF10B-WRBH01-0200(31)
 Designed : TY. SATO 18.02.02 CODE CL709-1025-1-31
 Drawn : MK. INOUE 18.02.02 NO. 1

FORM HCO011-5-7 1 2 3 4 5 6 7 8