



Chipsmall Limited consists of a professional team with an average of over 10 year of expertise in the distribution of electronic components. Based in Hongkong, we have already established firm and mutual-benefit business relationships with customers from,Europe,America and south Asia,supplying obsolete and hard-to-find components to meet their specific needs.

With the principle of “Quality Parts,Customers Priority,Honest Operation,and Considerate Service”,our business mainly focus on the distribution of electronic components. Line cards we deal with include Microchip,ALPS,ROHM,Xilinx,Pulse,ON,Everlight and Freescale. Main products comprise IC,Modules,Potentiometer,IC Socket,Relay,Connector.Our parts cover such applications as commercial,industrial, and automotives areas.

We are looking forward to setting up business relationship with you and hope to provide you with the best service and solution. Let us make a better world for our industry!



## Contact us

Tel: +86-755-8981 8866 Fax: +86-755-8427 6832

Email & Skype: info@chipsmall.com Web: www.chipsmall.com

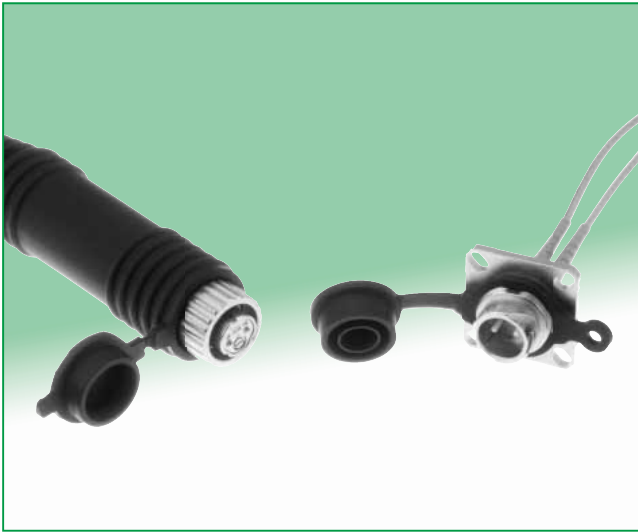
Address: A1208, Overseas Decoration Building, #122 Zhenhua RD., Futian, Shenzhen, China



# Subminiature, Waterproof Duplex Fiber Optic Connectors

MF10B Series

Waterproof 2 Positions Bayonet Locking System



## Reliable bayonet lock

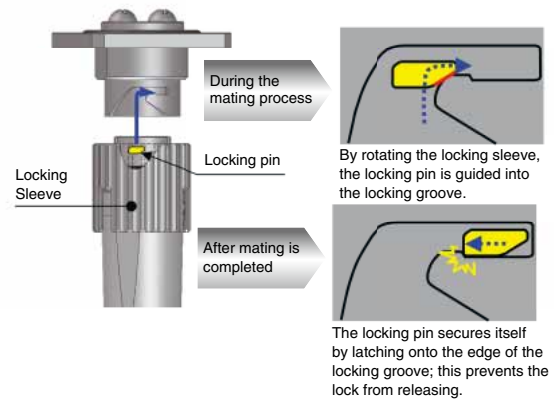


Fig.1

## ■ Features

### 1. Extremely small structure

This miniature twin-core waterproof connector utilizes a  $\phi 1.25$  mm MU ferrule integrated in an internal housing and shell.

### 2. Integrated structure with excellent vibration and shock resistance

The bayonet lock assures that connectors can be mated easily and securely. In addition, the locking system prevents accidental disengagement, resulting in excellent resistance to vibration and shock, conforming to JIS E 4031 type 5 (vibration) and JIS E 4032 type 2 (shock) for railcar parts.

### 3. Compatible with hi-flex cables

For the plug side, a hi-flex optical fiber cable is available for Military Specification applications (external cable diameter  $\phi 5$  or  $\phi 6.5$  mm is the standard specification). This light and flexible cable is also suitable for in-line connection of long-distant transmission in outdoor events.

\*Before using other types of cables, please contact your local Hirose sales representative.

### 4. Easy ferrule access

To access the plug ferrule for cleaning, remove the sleeve from the front of the connector to expose the front of the ferrule end face.

### 5. Multiple mounting options

A four-screw, square flange mount and hexagonal jam nut mount options are available. The four-screw flange type can accept any screw pitch from 18 to 20 mm.

## Easy access to the ferrule for cleaning

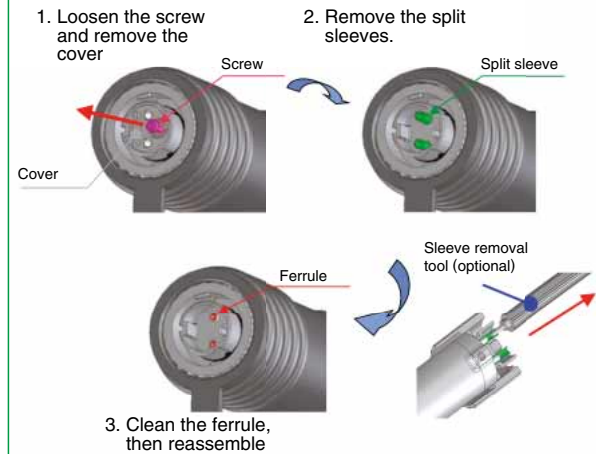


Fig.2

## Panel mounting options

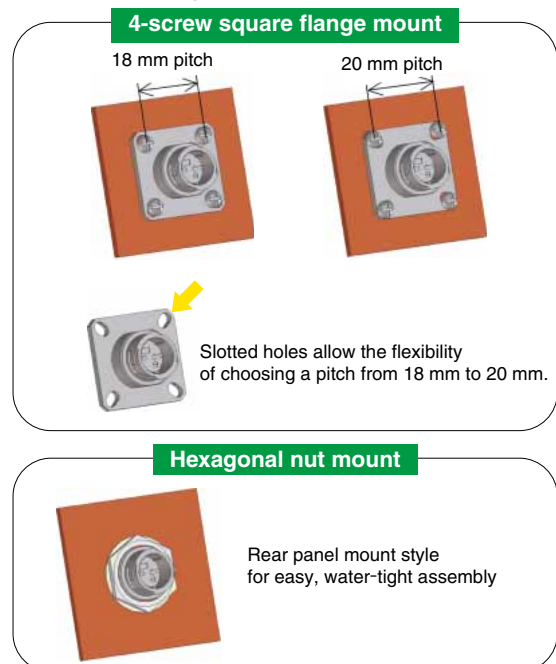


Fig.3

## Product Specifications

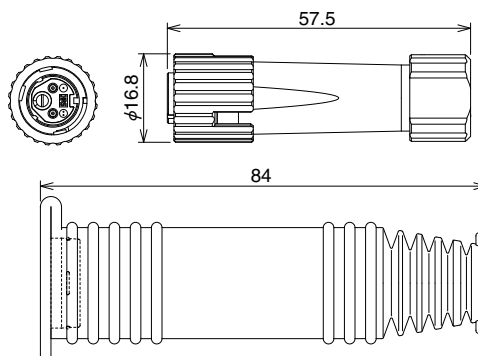
Rating	Operating temperature range	-40°C to +85°C	Storage temperature range	-25°C to +70°C (AT PACKING)
Item	Testing method		Specifications	
Optical characteristic	Insertion loss	Wavelength: 1310±20 nm (LD)		SM: 1.0 dB max. (Typical: 0.2 dB) GI: 0.5 dB max. (Typical 0.1 dB max.)
	Mechanical characteristics	Durability	5,000 mating cycles	
Tensile strength (axial)		Axial tensile force: 100 N (φ5 mm cable), 200 N (φ6.5 mm cable), or 400 N (cable with tension member)		
Flex resistant		Load of 500 g, 10,000 times at 90 degrees, right and left direction		
Vibration		Amplitude of 2.3 mm, acceleration 14.8 G, vertical direction for 4 hours and right and left for 2 hours Based on JIS E 4031 Type 5		
Shock		Impact of 6 G, duration of 0.025 s ±25%, 4 times Based on JIS E 4032 Type 2		
Environmental characteristics	Humidity (Temperature/humidity-cycle)	Temperature: -10°C to +65°C Humidity: 90% to 96%, 10 cycles (240 hours)		Insertion loss fluctuation after test: 0.3 dB max. No loose, broken or cracked parts
	Temperature cycle	-40°C to +75°C, 42 cycles		
	Heat resistance	240 hours at +85°C		
	Cold resistance	240 hours at -40°C		
	Salt mist	5% for 1,000 hours (with the connector hood installed)		No heavy corrosion ruin the function
	Water proof	1 minute at internal air pressure of 4.9 kPa		No air leakage

## Materials

Component	Material	Finish	Remarks
Housing	Zinc die-casting	Nickel plated / Chrome plated (Black)	—————
Stopper	Synthetic resin	—————	UL94V-0
Rubber hood	Synthetic rubber	—————	—————
Spring	Piano wire	Zinc plated	—————
Split sleeve	Zirconia	—————	—————

## ■ Plug

● Cable without strain relief (Cable diameter: 5 mm, 6.5 mm)



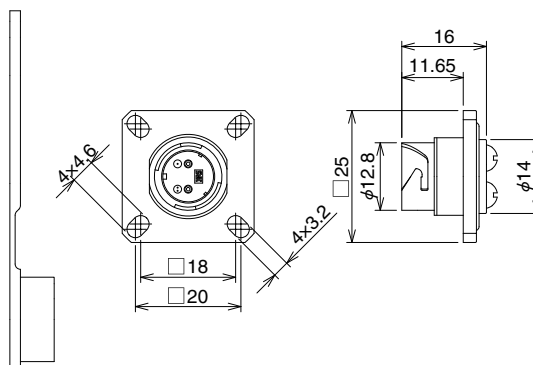
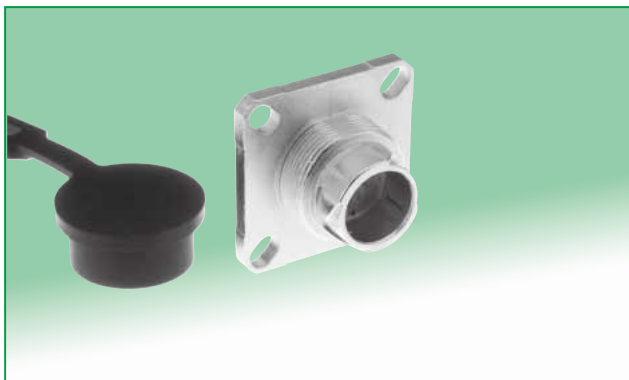
Part No.	HRS No.	Plating
MF10B-WP5C01-0200	709-1020-8 00	Nickel
MF10B-WP5CH01-0200	709-1015-8 00	Chrome (black)
MF10B-WP6.5C01-0200	709-1004-1 00	Nickel
MF10B-WP6.5CH01-0200	709-1007-0 00	Chrome (black)

● Cable with strain relief (Cable diameter: 7 mm)

Part No.	HRS No.	Plating
MF10B-WPS7C01-0200	709-1018-6 00	Nickel
MF10B-WPS7CH01-0200	709-1024-9 00	Chrome (black)

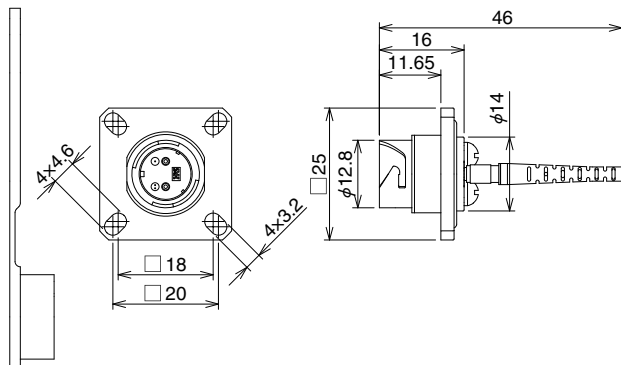
## ■ Receptacle

●  $\phi 0.9$  fiber, M3 screw type



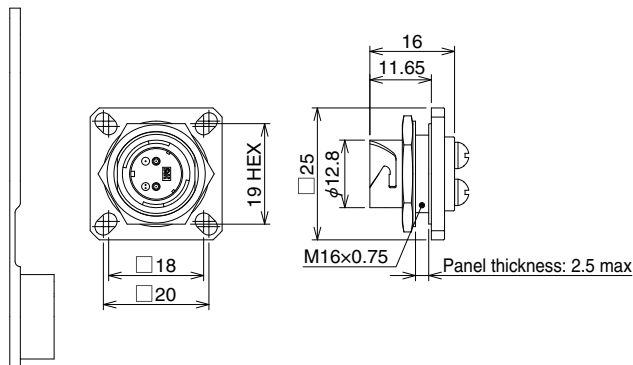
Part No.	HRS No.	Plating
MF10B-WRF01-0200	709-1005-4 00	Nickel
MF10B-WRFH01-0200	709-1008-2 00	Chrome (black)

●  $\phi 2$  mm cable, M3 screw type



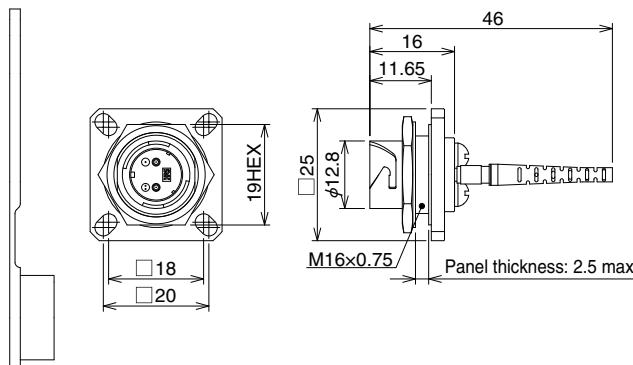
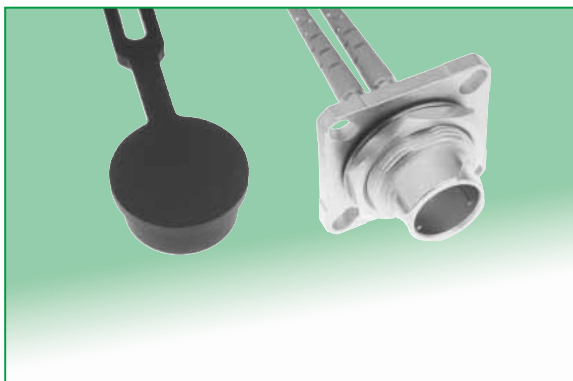
Part No.	HRS No.	Plating
MF10B-WRFC01-0200	709-1014-5 00	Nickel
MF10B-WRFCH01-0200	709-1032-7 00	Chrome (black)

●  $\phi 0.9$  mm fiber, hexagon nut type



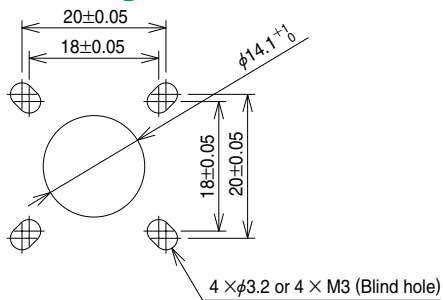
Part No.	HRS No.	Plating
MF10B-WRB01-0200	709-1010-4 00	Nickel
MF10B-WRBH01-0200	709-1025-1 00	Chrome (black)

●  $\phi 2$  mm cable, hexagon nut type

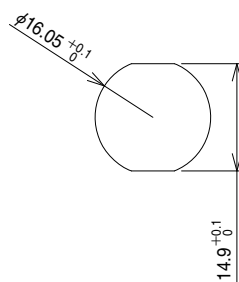


Part No.	HRS No.	Plating
MF10B-WRBC01-0200	709-1013-2 00	Nickel
MF10B-WRBCH01-0200	709-1033-0 00	Chrome (black)

### ◆ Panel Mounting Dimensions



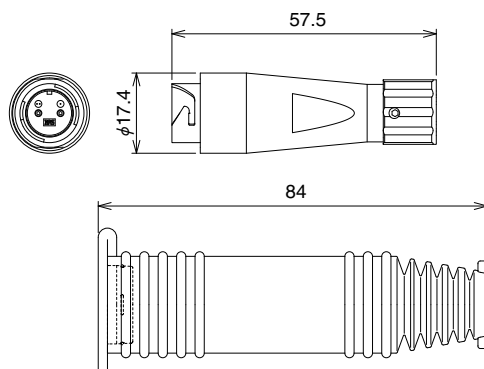
M3 screw type



For hexagon nut type

### ■ In-Line Jack

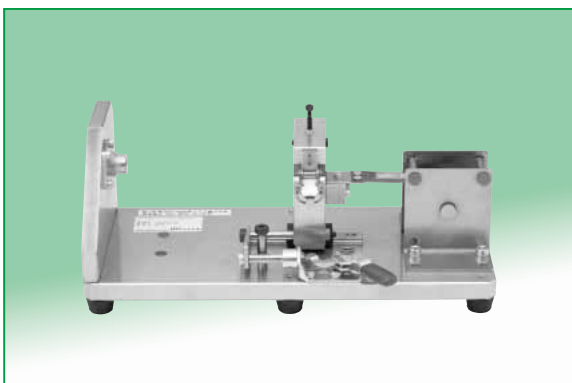
● Cable without strain relief (Cable diameter: 6.5 mm)



Part No.	HRS No.	Plating
MF10B-WJ6.5C01-0200	709-1011-7 00	Nickel
MF10B-WJ6.5CH01-0200	709-1035-5 00	Chrome (black)

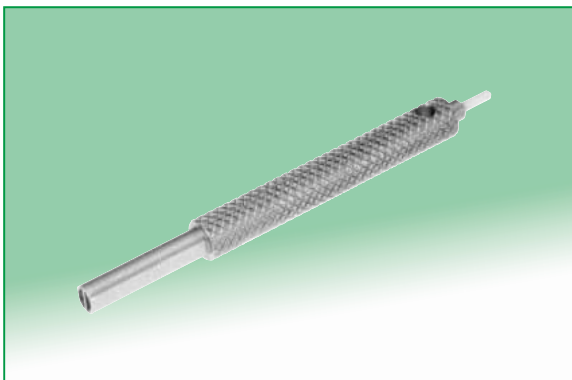
### ◆ Tools

● Plug assembly tool



Part No.	HRS No.
MF10B-WP7C01-0200/CVMD	902-6063-0 00

● Split sleeve removal tool



Part No.	HRS No.
MF10B-T1	709-1034-2 00

**USA:**

**HIROSE ELECTRIC (U.S.A.), INC. Headquarters**  
 2688 Westhills Court, Simi Valley, CA 93065-6235  
 Phone : +1-805-522-7958  
 Fax : +1-805-522-3217  
<http://www.hiroseusa.com>

**USA:**

**HIROSE ELECTRIC (U.S.A.), INC. San Jose Office**  
 3255 Scott Boulevard, Building 7, Suite 101  
 Santa Clara, CA 95054  
 Phone : +1-408-253-9640  
 Fax : +1-408-253-9641  
<http://www.hiroseusa.com>

**USA:**

**HIROSE ELECTRIC (U.S.A.), INC. Detroit Office (Automotive)**  
 37677 Professional Center Drive, Suite #100C  
 Livonia, MI 48154  
 Phone : +1-734-542-9963  
 Fax : +1-734-542-9964  
<http://www.hiroseusa.com>

**THE NETHERLANDS:**

**HIROSE ELECTRIC EUROPE B.V.**  
 Hogehillweg #8 1101 CC Amsterdam Z-O  
 Phone : +31-20-6557460  
 Fax : +31-20-6557469  
<http://www.hiroseeurope.com>

**GERMANY:**

**HIROSE ELECTRIC EUROPE B.V. German Branch**  
 Herzog-Carl-Strasse 4 D-73760 Ostfildern  
 (Scharnhauser Park)  
 Phone : +49-711-4560-02-1  
 Fax : +49-711-4560-02-299  
<http://www.hirose.de>

**GERMANY:**

**HIROSE ELECTRIC EUROPE B.V. Nuernberg Office**  
 Muggenhofer Str. 136 90429 Nuernberg  
 Phone : +49-911 32 68 89 63  
 Fax : +49-911 32 68 89 69  
<http://www.hirose.de>

**UNITED KINGDOM:**

**HIROSE ELECTRIC EUROPE B.V. UK Branch**  
 22 Vincent Avenue, Crownhill Business  
 Centre, Crownhill, Milton Keynes, MK8 0AB  
 Phone : +44-1908-305750  
 Fax : +44-1908-305768  
<http://www.hirose.co.uk>

**CHINA:**

**HIROSE ELECTRIC (SHANGHAI) CO., LTD.**  
 1601, Henderson Metropolitan, NO.300, East Nanjing  
 Road, Huangpu District, Shanghai, China 200001  
 Phone : +86-21-6391-3355  
 Fax : +86-21-6391-3335  
<http://www.hirose-china.com.cn>

**CHINA:**

**HIROSE ELECTRIC (SHANGHAI) CO.,LTD. BEIJING BRANCH**  
 A1001, Ocean International Center, Building 56# East 4th  
 Ring Middle Road, ChaoYang District, Beijing, 100025  
 Phone : +86-10-5165-9332  
 Fax : +86-10-5908-1381  
<http://www.hirose-china.com.cn>

**CHINA:**

**HIROSE ELECTRIC TECHNOLOGIES (SHENZHEN) CO., LTD.**  
 Room 09-13, 19/F, Office Tower Shun Hing Square, Di Wang Commercial Centre,  
 5002 Shen Nan Dong Road, Shenzhen City, Guangdong Province, 518008  
 Phone : +86-755-8207-0851  
 Fax : +86-755-8207-0873  
<http://www.hirose-china.com.cn>

**HONG KONG:**

**HIROSE ELECTRIC HONGKONG TRADING CO., LTD.**  
 Room 1001, West Wing, Tsim Sha Tsui Centre, 66  
 Mody Road, Tsim Sha Tsui East, Kowloon, Hong Kong  
 Phone : +852-2803-5338  
 Fax : +852-2591-6560  
<http://www.hirose-hongkong.com.hk>

**TAIWAN:**

**HIROSE ELECTRIC TAIWAN CO., LTD.**  
 103 8F, No.87, Zhengzhou Rd., Taipei  
 Phone : +886-2-2555-7377  
 Fax : +886-2-2555-7350  
<http://www.hirose-taiwan.com.tw>

**KOREA:**

**HIROSE KOREA CO., LTD.**  
 1261-10, Jeoungwhang-Dong, Shihung-City,  
 Kyunggi-Do 429-450  
 Phone : +82-31-496-7000,7124  
 Fax : +82-31-496-7100  
<http://www.hirose.co.kr>

**SINGAPORE:**

**HIROSE ELECTRIC SINGAPORE PTE. LTD.**  
 10 Anson Road #26-1, International Plaza  
 079903, Singapore  
 Phone : +65-6324-6113  
 Fax : +65-6324-6123  
<http://www.hirose-singapore.com.sg>

**INDIA:**

**HIROSE ELECTRIC SINGAPORE PTE. LTD Delhi Liaison Office**  
 Suite No. 606 5th Floor SB Tower 1A/1 Sector  
 16 A Filmcity Noida 201301 Uttar Pradesh-India  
 Phone : +91-120-4804917  
 Fax : +91-120-4804949  
<http://www.hirose.com/sg/>

**INDIA:**

**HIROSE ELECTRIC SINGAPORE PTE. LTD. Bangalore Liaison office**  
 Unit No.03, Ground Floor, Explorer Building International Tech  
 Park Whitefield Road, Bangalore 560066 Karnataka, India  
 Phone : +91-80-4120 1907  
 Fax : +91-80-4120 9908  
<http://www.hirose-singapore.com.sg>

**MALAYSIA:**

**HIROSE ELECTRIC SINGAPORE PTE. LTD (Representative office)**  
 1-10-07, Suntech @ Penang Cybercity (1164),Lintang  
 Mayang Pasir 3,11950, Bayan Baru, Penang, Malaysia.  
 Phone : +604-619-2564  
 Fax : +604-619-2574  
<http://www.hirose.com/sg/>



**HIROSE ELECTRIC CO.,LTD.**

2-6-3,Nakagawa Chuoh,Tsuzuki-Ku,Yokohama-Shi 224-8540,JAPAN  
 TEL: +81-45-620-3526 Fax: +81-45-591-3726  
<http://www.hirose.com>  
<http://www.hirose-connectors.com>